



Dust and Splash proof
Membrane Face Plate

3 1/2 Digit with
0.56" or 0.8" LEDs
in a 1/8 DIN Case

Optional
Green LED display

Optional
Custom Faceplate

TEXMATE

DX-35-RTD-C DX-35-RTD-C.1 DX-35-RTD-F DX-35-RTD-F.1

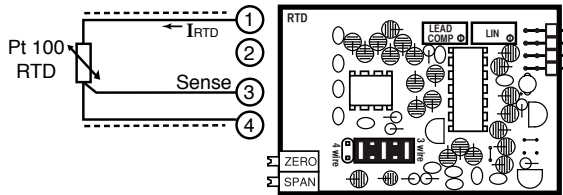
100ΩPt RTD Temperature Meter
Pre-Calibrated °F or °C and
has 0.1° or 1° resolution

General Features

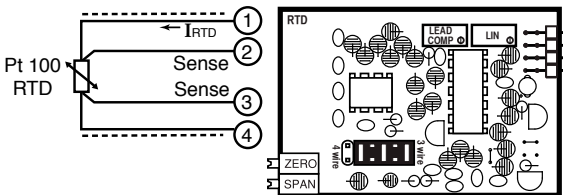
The DX-35-RTD is a versatile and cost-effective temperature meter, designed to accept 2-wire, 3-wire or 4-wire 100Ω Platinum RTD sensors. The meter is ordered factory calibrated for either a °C or °F readout, a 1° resolution and is shipped in the 3-wire mode. The 4-wire mode may be header selected by the user. If required in the future, the user can re-calibrate the meter on-site without any component changes by following the instructions on page 2 of this data sheet and utilizing the internal °C or °F.

Typical Application Connections

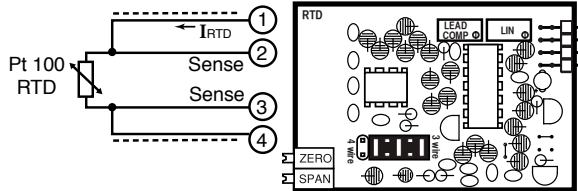
Temperature Measurement with 3 Wire RTD



Temperature Measurement with 4 Wire RTD



Temperature Measurement with 2 Wire RTD



Sense input leads should be joined to the IRTD leads as close as possible to the sensor element because, on 2-wire RTDs, the single lead length resistance from the sensor to these joints will produce uncompensatable errors.

Excitation is 1mA. Up to 50 resistance in each lead can be compensated.

Compatibility

The DX-Series have a matching DIN case style that is complementary to the Leopard and Tiger family of meters. DX-Meters are the OEM's choice for switchboard and process indication. Each model is dedicated to a specific application and designed for quick and easy installation.



Specifications

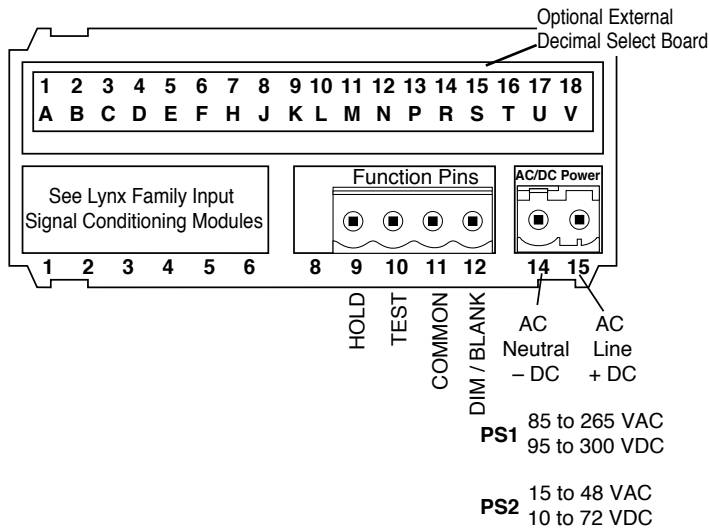
Input Configuration:	3-Wire or 4-Wire (0.00385Ω/Ω/°C)
Input Ranges:	
DX-35-RTD-C	-200°C to + 800°C (1°C resolution)
DX-35-RTD-C.1	-199.9°C to + 199.9°C (0.1°C resolution)
DX-35-RTD-F	-200°F to + 1470°F (1°F resolution)
DX-35-RTD-F.1	-199.9°F to + 199.9°F (0.1°F resolution)
Lead Imbalance Error:	2.8°C per ohm of imbalance
Lead Resistance:	Up to 50Ω of resistance in each lead can be automatically compensated
Input Protection:	25V AC/DC
A/D Converter:	12 Bit Dual Slope
Temperature Coefficient:	100ppm/°C (Typical)
Warm Up Time:	One minute to specified accuracy
Conversion Rate:	3 readings per second
Display:	3 1/2 digit 0.56" Red LED display (std), 0.56" GREEN, 0.8" RED/GREEN or 0.56" Super Bright RED are optional.
Polarity:	Bipolar. Assumed positive, displays negative
Decimal Selection:	Header under face plate, X•X•X•X•
Overrange Indication:	Most significant "1" digit is displayed with all other digits blank
Power Supply:	AC/DC Auto sensing wide range supply
PS1 (std)	85-265 VAC, 50-400Hz / 95-300 VDC @1.5W
PS2	15-48 VAC, 50-400Hz / 10-72 VDC @4.0W
Operating Temperature:	0 to 50 °C
Storage Temperature:	-20 to 70 °C
Relative Humidity:	95% (non-condensing)
Case Dimensions:	1/8 DIN, Bezel: 96x48mm (3.78"x1.89") Depth behind bezel 117 mm (4.61") plus 11.8mm (0.47") for Right-angled Connector or 20mm (0.79") for Straight-through Connectors.
Weight:	8 oz., 11 oz when packed.
Certification:	UL Listed

DX-Series, the OEMs choice for switchboard and process indication

DX-35-DCV	DC volts ±2V/±20V/±200V Header Selectable Ranges, 3.5 digit	DX-35-TC-KF	K Thermocouple with °F, optional °C, 3.5 digit
DX-35-DCA	DC mV ±50mV, ±100mV, ±200mV Header Selectable Ranges, 3.5 digit	DX-35-TC-JF	J Thermocouple with °F, optional °C, 3.5 digit
DX-35-ACV	AC volts, Scaled RMS (True RMS Opt.). 199.9/300V AC Header Selectable Ranges, 3.5 digit	DX-35-RTD-F/C	100Ω platinum RTD, 3 or 4 wire, °F in 1° resolution, optional °C, 3.5 digit
DX-35-ACA	AC amps, Scales RMS (True RMS Opt.). (5 Amp Internal Shunt), 3.5 digit	DX-40-ACV	AC volts, Scaled RMS (True RMS Opt.). 300.0V AC full scale, 4 digit
DX-35-CL	Process 4 to 20mA (100.0), easily user scalable, 3.5 digit w/Exc. opt	DX-45-ACA	AC amps, Scaled RMS (True RMS Opt.). (5 Amp Internal shunt), 4.5 digit
DX-35-HZ	AC Line Frequency 15.0Hz to 199.9Hz. Up to 300V AC input, 3.5 digit	DX-45-DCV	DC volts ±2V/±20V/±200V Header Selectable Ranges, 4.5 digit
DX-35-SG	Pressure or Load Cell 4-Wire. 2mV or 20mV/V, 5/10 V Exc, 3.5 digit	DX-45-DCA	DC mV ±50mV/±100mV/±200mV Header Selectable Ranges, 4.5 digit
		DX-45-CL	Process 4 to 20mA (100.0), easily user scalable, 4.5 digit w/Exc opt.

Connector Pinouts

This meter uses plug-in type screw terminal connectors for all connections.



Pin Descriptions

- Pin 1 - Input Hi 1:** Input from 3 wire/4 wire RTD.
- Pin 2 - Input Hi 2:** Input for 4 wire RTDs. When sensor is a 3 wire RTD, this pin is not used.
- Pin 3 - Input Lo 1:** Input for 3 wire/4 wire RTDs.
- Pin 4 - Input Lo 2:** Input for 3 wire/4 wire RTDs.
- Pin 5 - Shield:** This pin is internally connected to the ground of the internal power supply.
- Pin 9 - Hold:** If this pin is left unconnected the meter will operate in a free running mode. When this pin is connected to the Common Pin 11, the meter display will be latched. A/D conversions will continue, but the display will not be updated until Pin 9 is disconnected from Pin 11.
- Pin 10 - Display Test:** When this pin is connected to the Common Pin 11, all segments of the display light up and 1888 is displayed. This is used to detect any missing segments in the display.
- Pin 11 - Common:** To Hold, Test or Dim the display, the respective pins have to be connected to this Common Pin.
- Pin 12 - Dim/Blank:** When this pin is connected to the Common Pin 11 the display is blanked out. If it is connected through an external 1KΩ pot, the display may be dimmed.
- Pin 14 & 15 - AC/DC Power Input:** These pins are the power pins of the meter and they only accept a special polarized screw terminal plug that can not be inserted into any other input socket. The standard meter has a auto sensing AC/DC power supply that operates from 85-265 VAC/95-300 VDC (PS1 Std). An optional isolated low voltage power supply that operates from 15-48 VAC/10-72 VDC (PS2) is also available.
- OPTIONAL EXTERNAL DECIMAL POINT SELECTION BOARD**
- Pins 6, F - Decimal Common:** Connect to these pins to activate decimals.
- Pins 7, H - Decimal XXXX.:** Connect to pin 6 or pin F to activate decimal XXXX..
- Pins 8, J - Decimal XXX.X:** Connect to pin 6 or pin F to activate decimal XXX.X.
- Pins 9, K - Decimal XX.XX:** Connect to pin 6 or pin F to activate decimal XX.XX.
- Pins 10, L - Decimal X.XXX:** Connect to pin 6 or pin F to activate decimal X.XXX.

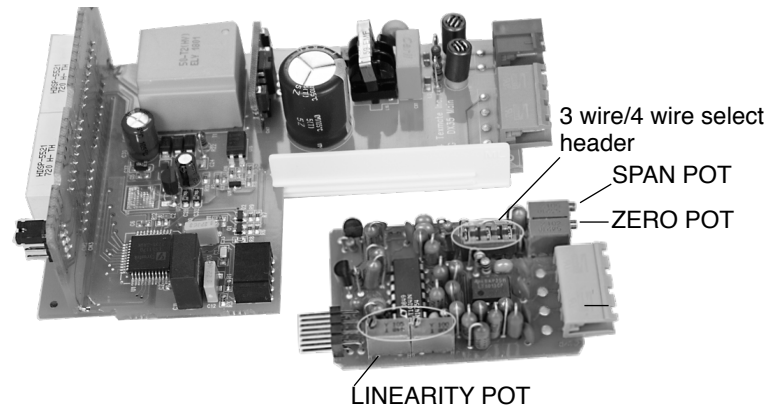
Calibration Procedure

- Select a 3 or 4 wire input configuration, with the 3 wire/4 wire Select Header. Note: Lead Compensation can only be calibrated in the 3 wire positioning. After calibration, the 4 wire mode can be selected without further calibration.
- Connect an RTD Simulator to the input of the DX-35-RTD and calibrate according to the Calibration Table below..

Calibration Table	1C	1F
3. Adjust Zero Pot so display matches RTD simulator with output set to:	0C	0F
4. Adjust Span Pot so display matches RTD simulator with output set to:	-190C	-190F
5. Adjust Linearity Pot so display matches RTD simulator with output set to: Repeat Step 4 and 5 until both readings remain constant.	800C	1470F
6. Introduce an equal resistance of not more than 50 between each input of the RTD simulator and the meter. Adjust the Lead Compensation Pot so display matches RTD simulator with output set to:	The Lead Compensation is calibrated at the factory for lead resistances up to 50 each, and usually does not need to be re-calibrated.	
	800°C	1470°F

- The DX-35-RTD meter is now calibrated and ready for use.

Component Layout



Signal Conditioning Components

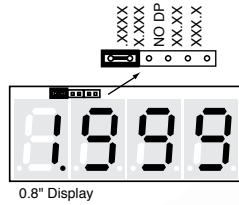
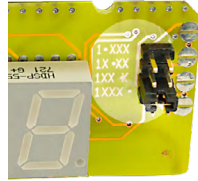
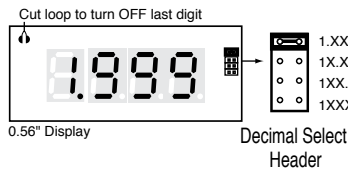
- SPAN** **SPAN Potentiometer (Pot)**
To the Right Front Turn Clockwise to Increase Reading
The 15 turn SPAN pot is always on the right side (as viewed from the back of the meter). Typical adjustment is 20% of the input signal range.
- ZERO** **ZERO Potentiometer (Pot)**
To the Left Front Turn Clockwise to Increase Reading
The ZERO pot is always to the left of the SPAN pot (as viewed from the back of the meter). Typically it enables the display reading to be offset ±50 counts.
- LINEARITY** **LINEARITY Potentiometer (Pot)**
To the Right Front The LINEARITY pot is used for top end linearity calibration.

Opening Back Panel

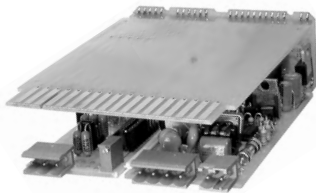


To open back panel, insert a flat screwdriver or similar instrument in both slots on the top of the case and pry open. The DX-Series meters slide out from the rear of the case as a complete assembly.

Decimal Point Selection



Decimal selection is made by moving the jumper to the indicated position on the header for the decimal required on the front of the display board.

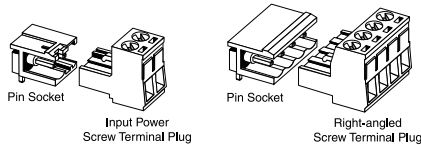


Optional External Decimal Point Selection Board

An optional output board is available that provides access to all decimal points via a rear PCB edge connector.

Connectors

This meter uses plug-in type screw terminal connectors for all input and output connections. The power supply connections (pins 14 and 15) have a unique plug and socket outline to prevent cross connection. The main board uses standard right-angled connectors.



WARNING: AC and DC input signals and power supply voltages can be hazardous. Do Not connect live wires to screw terminal plugs, and do not insert, remove or handle screw terminal plugs with live wires connected.

Installation Guidelines

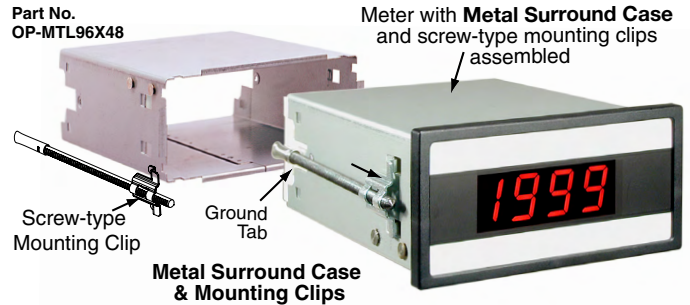
1. Install and wire meter per local applicable codes/regulations, the particular application, and good installation practices.
2. Install meter in a location that does not exceed the maximum operating temperature and that provides good air circulation.
3. Separate input/output leads from power lines to protect the meter from external noise. Input/output leads should be routed as far away as possible from contactors, control relays, transformers and other noisy components. Shielding cables for input/output leads is recommended with shield connection to earth ground near the meter preferred.
4. A circuit breaker or disconnect switch is required to disconnect power to the meter. The breaker/switch should be in close proximity to the meter and marked as the disconnecting device for the meter or meter circuit. The circuit breaker or wall switch must be rated for the applied voltage (e.g., 120VAC or 240VAC) and current appropriate for the electrical application (e.g., 15A or 20A).
5. See *Case Dimensions* section for panel cutout information.
6. See *Connector Pinouts* section for wiring.
7. Use 28-12 AWG wiring, minimum 90°C (HH) temperature rating. Strip wire approximately 0.3 in. (7-8 mm).
8. Recommended torque on all terminal plug screws is 4.5 lb-in (0.51 N-m).



Metal Surround Case Option

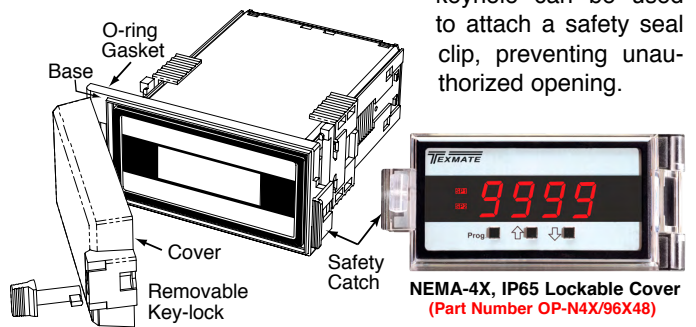
The meter's plastic case is made from fire retardant polycarbonate. A metal surround case can be ordered to enhance the meter's fire retardant capabilities and also provide shielding against electromagnetic interference (EMI). The metal case slides over the polycarbonate case and is held firmly in place by spring-type non-return clips. The Metal Surround Case must be factory installed on the polycarbonate case and once installed, it cannot be removed in the field.

With the metal case in place, the meter's standard ratchet-type mounting clips can not be used. Instead a pair of screw-type DIN standard mounting clips are provided, which clip into holes on the side of the metal case and tighten against the rear of the panel. A ground tab on the metal case enables the metal case to be easily connected to the panel ground.



Clear Lockable Water-proof Cover

The clear lockable cover is designed to be dust and water proof to NEMA-4X, IP65 standards. The assembly consists of a base and cover with a cam hinge and key-lock fastening mechanism. An O-ring, or neoprene gasket forms a seal between the base and the panel. The cam hinge prevents the cover from closing when opened until pushed closed. The cover has a tapered recess that, when closed, forms a seal with a tapered spigot on the base. A key-lock employs a cam locking device to force the spigot into the recess, ensuring seal integrity. A safety catch keeps the cover closed even when the key is removed, and the keyhole can be used to attach a safety seal clip, preventing unauthorized opening.



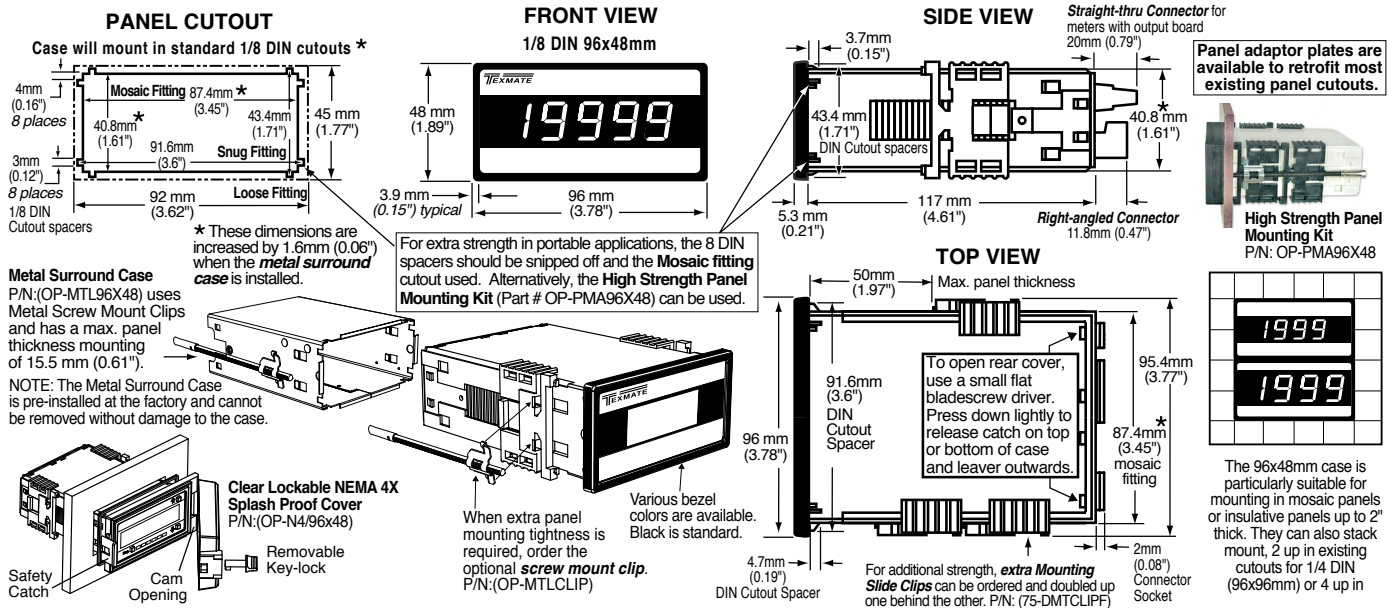
Optional Face Plate Descriptors

AC	V	Hz	W	VA	mm	Hz	RP
V	mV	min	PF	P	G	Sec	
DC	mA	µA	PSIG	mS	µsec	ns	
kW	W	KWH	pH	%	K	KB	
A	mbar	mA	MW	KA	RPS	MW	
mWs	µm	kWs	L	l/sec	ml	cm	
ORP	mmis	l/min	mm	kg/sec	lbs	ton	
RT	bars	min	mm	Metric	mm	in	

To customize the face plate, clear adhesive label containing various popular descriptors may be ordered. Choose the descriptor desired, peel off the adhesive backing and align the descriptor in the center right of the faceplate.

P.N.: 75-DESCRIPTR

DX Case Dimensions and Panel Cutouts



Ordering Information

Standard Options for this Model Number

Part Number	Description	List
-------------	-------------	------

- **BASIC MODEL NUMBER** Includes plug in type screw terminals, standard display and standard power supply unless optional versions are ordered.
 - DX-35-RTD-C...** -200°C to + 800°C (1°C resolution) IT03
 - DX-35-RTD-C.1.** -199.9°C to + 199.9°C (0.1°C resolution) IT14
 - DX-35-RTD-F...** -200°F to + 1470°F (1°F resolution) IT04
 - DX-35-RTD-F.1.** -199.9°F to + 199.9°F (0.1°F resolution) IT05

► DISPLAY

- DR** ... Red LED, 0.56 inch high
- DB** ... Super-bright Red LED, 0.56 inch high
- DG** ... Green LED, 0.56 inch high
- LG** ... Large Green LED, 0.8 inch high
- LR** ... Large Red LED, 0.8 inch high

► POWER SUPPLY

- PS1** ... 85-265VAC/95-300VDC
- PS2** ... 15-48VAC/10-72VDC

Special Options and Accessories

Part Number	Description	List
-------------	-------------	------

► ACCESSORIES (Specify Serial # for Custom Artwork Installation)

- 75-DBBZ9648F** ... Extra Black Bezel for 96x48mm Case
- 75-DMTCLIPF** ... Side Slide Brackets (2 pc) - extra set, extra strength
- 76-D35G-N4** ... NEMA 4 Green LED Faceplate, Factory Installed
- 76-D35LG-N4** ... NEMA 4 Large Green LED Faceplate, Factory Installed
- 76-D35LR-N4** ... NEMA 4 Large Red LED Faceplate, Factory Installed
- 76-D35R-N4** ... NEMA 4 Red LED Faceplate, Factory Installed
- CN-L18** ... Dual Row 18 Pin Edge Connector, Solder Type
- DN.CAS96X48B** ... Complete 96 X 48 mm Case with bezel
- OP-MTLCLIP** ... Screw Mount Clips (2 pc) - to screw tighten slide brackets
- OP-MTL96X48** ... Metal Surround Case, includes screw mounting clips
- OP-N4X/96X48** ... 96x48mm clear lockable front cover-NEMA 4X, splash proof
- 75-DESCRIPTR** ... Clear adhesive descriptors label for face plate

WARRANTY

Texmate warrants that its products are free from defects in material and workmanship under normal use and service for a period of one year from date of shipment. Texmate's obligations under this warranty are limited to replacement or repair, at its option, at its factory, of any of the products which shall, within the applicable period after shipment, be returned to Texmate's facility, transportation charges pre-paid, and which are, after examination, disclosed to the satisfaction of Texmate to be thus defective. The warranty shall not apply to any equipment which shall have been repaired or altered, except by Texmate, or which shall have been subjected to misuse, negligence, or accident. In no case shall Texmate's liability exceed the original purchase price. The aforementioned provisions do not extend the original warranty period of any product which has been either repaired or replaced by Texmate.

USER'S RESPONSIBILITY

We are pleased to offer suggestions on the use of our various products either by way of printed matter or through direct contact with our sales/application engineering staff. However, since we have no control over the use of our products once they are shipped, NO WARRANTY WHETHER OF MERCHANTABILITY, FITNESS FOR PURPOSE, OR OTHERWISE is made beyond the repair, replacement, or refund of purchase price at the sole discretion of Texmate. Users shall determine the suitability of the product for the intended application before using, and the users assume all risk and liability whatsoever in connection therewith, regardless of any of our suggestions or statements as to application or construction. In no event shall Texmate's liability, in law or otherwise, be in excess of the purchase price of the product.

Texmate cannot assume responsibility for any circuitry described. No circuit patent or software licenses are implied. Texmate reserves the right to change circuitry, operating software, specifications, and prices without notice at any time.



1934 Kellogg Ave., Carlsbad, CA 92008
Tel: 1-760-598-9899 • 1-800-TEXMATE
Fax: 1-760-598-9828 • Email: orders@texmate.com

DX-35-RTD Technical Manual Copyright © 2021 Texmate Inc. All rights reserved. Published by: Texmate Inc. USA. Information in this Technical Manual is subject to change without notice due to correction or enhancement. The information described in this manual is proprietary to Texmate, Inc. and may not be copied, reproduced or transmitted, in whole or in part, in connection with the design, manufacture, or sale of apparatus, device or private label product without the express written consent of Texmate, Inc.