



## BN-40BCD

### Remote BCD Display 4 Digit 0.56" LED in a 1/16 DIN Case

### 5 VDC Powered LED BCD Input Meter in DIN 96X24mm Case.

#### General Features

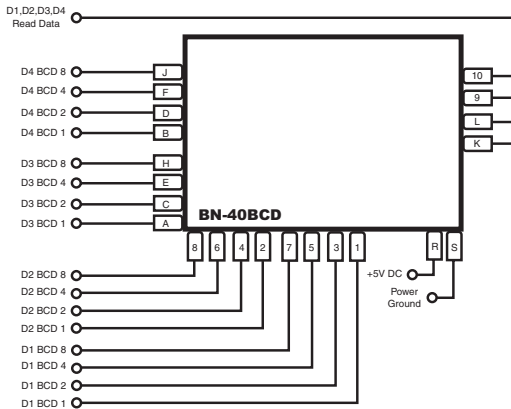
The BN-40BCD is a 4 digit remote or slave BCD display that is popularly used to display the BCD output from a PLC system.

For applications where a polarity sign is required the 3 1/2 digit BN-35BCD may be used. The BN-40 BCD and BN-35 BCD are ideal solutions for low cost operator interfaces.

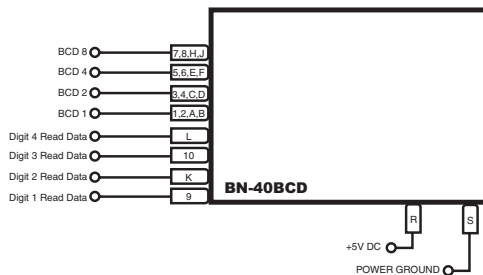
Both BN-40BCD and BN-35 BCD are powered from 5V DC. They are shipped standard with Red LEDs, but green LEDs or super bright LEDs for high ambient light conditions are also offered.

#### Typical Application Connections

**BN-40BCD** with parallel BCD input.

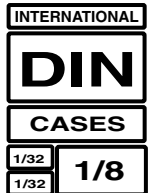


**BN-40BCD** with multiplexed BCD input.



#### Compatibility

The BN-Series have a matching DIN case style that is complementary to the Lynx, Leopard and Tiger family of meters. BN-Meters are the OEM's choice for economical switchboard and process indication. For economy, each model is dedicated to a specific application and designed for quick and easy installation.



#### Specifications

- Input Configuration:** .....BCD 1-2-4-8 code, positive logic
- Full Scale Ranges:** .....±199.9mVDC ±1.999VDC (standard)  
±19.99VDC±199.9VDC
- Input Impedance:** .....Exceeds 100MΩ on 200mV, 2V ranges.  
1MΩ other ranges.
- Input Protection:** .....±100V AC/DC for 200mV, 2V and 20V ranges.  
±250VAC/DC for 200V range
- Conversion Rate:** .....3 readings per second
- Common Mode Rejection:**...80dB at DC
- Normal Mode Rejection:**.....60dB at 50/60Hz for 200mV and 2V ranges.
- Common Mode Voltage:**...-1V to +2VDC
- Accuracy:** .....± (0.05% of reading + 1 digit)
- Temperature Coefficient:** ....5ppm/°C in ratiometric mode 50ppm/°C in 200mV / 2V ranges
- Maximum resolution:** .....100μV in 200mV range.
- Zero Stability:**.....Autozeroed. 0.1 counts per °C
- Display:**.....0.56" high red LEDs. Display Hold, Blank and Test provided.
- Overrange Indication:** .....The most significant digit "1" is displayed with all the other digits blanked.
- Power Supply:**.....5VDC @ 200mA.
- Operating Temperature:** :.0°C to 70°C (5V supply);  
0°C to 50°C (12V supply)
- Storage Temperature:**.....-12°C to 80°C
- Relative humidity:**.....95% (non condensing)
- Case Dimensions:** .....Bezel: 96X24 mm (3.62" X 0.95")  
Depth behind bezel: 56.5 mm (2.23")  
Plus 27 mm (1.06") for Push-On connector or plus 17.5 mm (0.68") for Edge connector
- Weight:**.....10gms (.35 oz)

### BN-Series, For Those Applications Where Space Is A Premium

- BN-35** ..... .0.2/2/20/200V DC ranges, 3.5 digit, 5V DC Powered
- BN-35BCD** ..... .Parallel or Multiplex BCD, 3.5 digit, 5V DC Powered
- BN-35CL** ..... .4 to 20mA, Isolated 24V DC, 3.5 digit
- BN-35I** ..... .0.2/2/20/200V DC ranges, Isolated 24V DC, 3.5 digit

- BN-40BCD** ..... .Parallel or Multiplex BCD, 4.0 digit, 5V DC Powered
- BN-45** ..... .2/20/200V DC ranges, 4.5 digit, 5V DC Powered
- BN-45I** ..... .2/20/200V DC ranges, Isolated 24V DC, 3.5 digit