

DC Isolating Transducer

SPD-2



- ⊙ Standard output with 0 to 1 mAdc; Option on request
- ⊙ Dual isolated outputs eliminating ground loop effect
- ⊙ AC 1800V input / output / isolation meets power series requirement
- ⊙ Meets IEEE SWC test

Specification

1.Accuracy 0.25% RO / 23 ± 3°C

2.Input (each element)

Range	0 - 50 / 0 - 100 / 0 - 200 / 500mV 0 - 1 / 0 - 2 / 0 - 5 / 1 - 5 / 0 - 10 / 2 - 10V 0 - 1 / 0 - 2 / 0 - 5 / 0 - 10 / 0 - 20 / 4 - 20 / 0 - 50 / 10 - 50 mA
Input resistance	Voltage mode > 1 Megaohm; current mode < 1V / max. rated current (mA)
Protection	Full protection for SURGE, EMI & RFI

3.Output (Isolated with input ; Dual outputs isolated each other > DC 600V isolation)

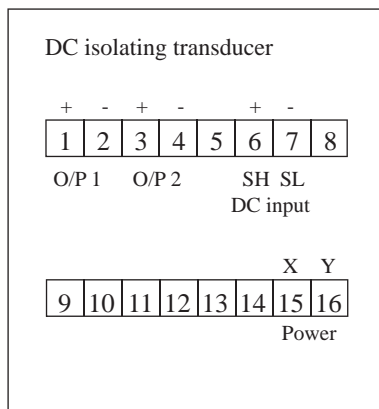
Range	DC 0 - 1 / 0 - 5 / 0 - 10 / 0 - 20 / 4 - 20 / 0 - 50 / 10 - 50 mA DC 0 - 1 / 0 - 5 / 1 - 5 / 0 - 10 / 2 - 10V
Standard calibration	0 - 1mA vs required input range
Option...specified	
Drive ability	> 10K ohm for 0 to 1mA standard output > 10V for current output mode > 10mA for voltage output mode
Output impedance	> 30 Mega ohm
Response time	< 400 ms from 0 to 99% RO at operating
Ripple	< 0.5% P-P RO
Long term stability	< 0.5% RO per year
Temperature stability	< 0.015% per degree C, from 0 to 55°C
Adjustment	Span, zero ± 15% ro minimum
Protection	No damage ... open or short; full protection of SURGE, EMI, RFI
Magnetic effecton	< 0.04% at center 400 A-T / M

4.Operation condition

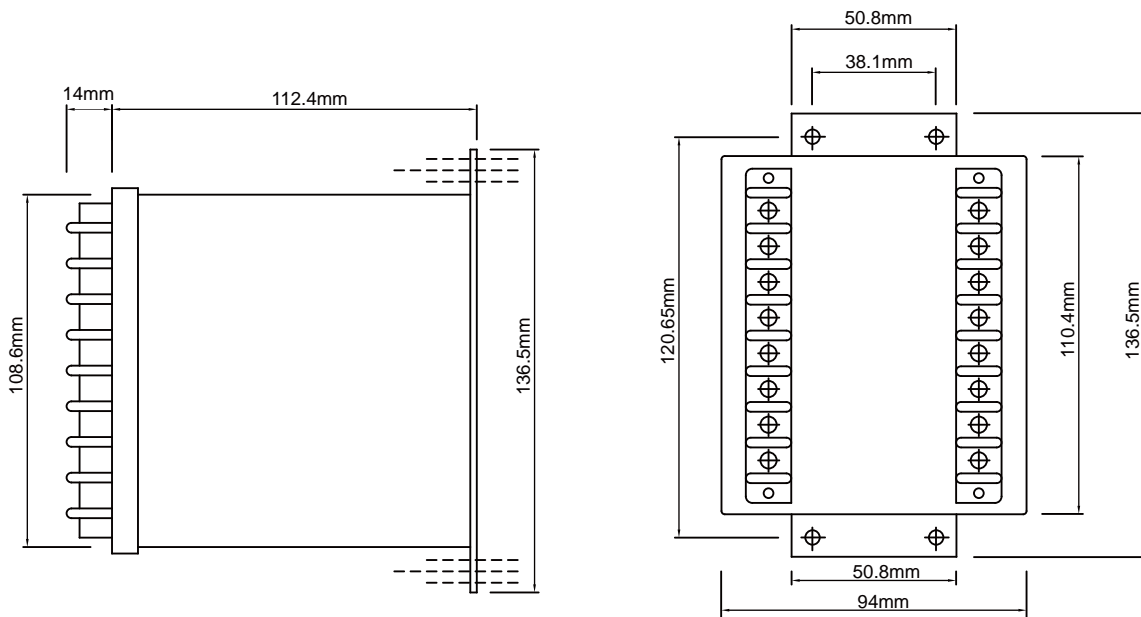
Environment

Temperature	-5 to 60°C
Humidity	20 to 99% RH non condensed
Elevation	Under 3000 meters
Magnetic field	500 A-T / M
Dielectric strength	4KV AC rms 1 minute between input / output / power / case IEC
Impulse test	ANSI C37.90/1989, IEEE 587/1983, IEC 255-3, 6KV (1.2 x 50 us), 3KA (8 x 20 us) current only
Surge test (ring wave)	IEEE587/1983 (3KV - 0.5us / 100KHz) IEC 255-3 (2.5KV - 0.25ms/ 1MHz)
Power supply	AC 115V ± 20%, 50 - 70Hz, < 6VA ; Option AC 230V, DC 12 / 24 / 48 / 125V

Terminal Connection



Dimension



HSIANG CHENG ELECTRIC CORP.

4F., No.11, Ln. 235, Baoqiao Rd., Xindian Dist., New Taipei City 231, Taiwan

TEL : 886-2-2917-5865~9

E-mail : expo.sales@hc.com.tw

FAX : 886-2-2917-3946

http://www.hc.com.tw