

AC VOLTAGE TRANSDUCERS

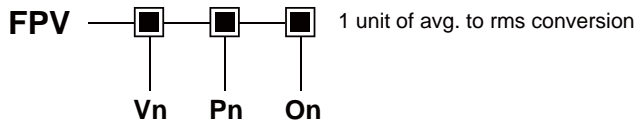
FPV



Applied Standards & Rules

Measuring and conversion	IEC 688 / 1992 - 04
Dielectrical strength	IEC 688 2KVac / 1 min.
Surge and Impulse test	ANSI C37.90 / 1989
	IEC 255-3 (1989) 4KV 1.2 x 50 us

Order form



Input & Output parameters

Vn : Voltage input	Vn rating range	V1	V2	V3	Vy Specified	On : Output		
		150 V 0 - 150 V	300 V 0 - 300 V	600 V 0 - 600 V		O1 0 - 1 mA	O2 0 - 20 mA	O3 4 - 20 mA
Pn : Auxiliary power	Pn rating range	P1	P2	Ps	Py Specified	O4	O5	O6
		AC120 V 120 V ± 15%	AC240 V 240 V ± 15%	Internal Power		O7 2 - 10 V	Oy Specified	

Py : DC24 / 48 / 125 V ± 20% or other range under specified

Note

- External power mode suitably for all output types
Internal power mode, only suitably for 0-1mA / 0-20mA / 0-1V / 0-5V / 0-10V output



HSIANG CHENG ELECTRIC CORP.

4F., No.11, Ln. 235, Baoqiao Rd., Xindian Dist., New Taipei City 231, Taiwan

TEL : 886-2-2917-5865~9

E-mail : expo.sales@hc.com.tw

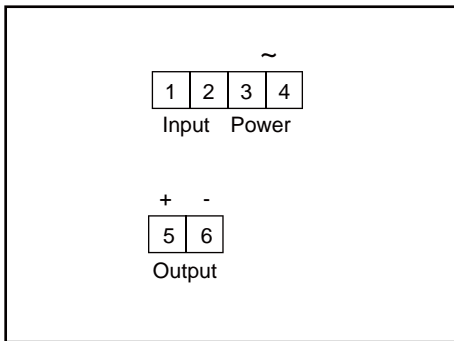
FAX : 886-2-2917-3946

http://www.hc.com.tw

Specification

Accuracy (23±3°C)	0.2% RO	
Maximum output load	DC current mode : maximum 10V drop DC voltage mode : maximum 5mA drive	
Dielectric strength	AC 2KV 1 minute between terminals; AC 2.6KV 1 minute / terminals to case	
Surge and impulse test	ANSI C37.90 / 1989, IEC 255-3 (1989) 4 KV 1.2 x 50 us	
Maximum input over	1.5 x rated / continuous 2 x rated / 10 seconds	
Input burden	voltage less 0.1 VA	
Response time & ripple	≤ 400 ms for step change 0-99%	
Frequency	45 ~ 400 Hz	ripple less 0.5% ro peak to peak
Stability	Temperature range (20 to 30°C) Maximum 60 ppm / °C less 0.2% after 1 year typical	
Storage condition	Temperature range -25 to 70°C, RH 20 to 95% non condensed	
Operating condition	Temperature range -20 to 65°C, RH 0 to 99% non condensed	
Magnetic field effect	< 0.01% under 100 ampere turns at 1M center	
Power dissipation	Maximum 3.5 VA	

Terminal Connection



DC power option for terminal 3(+), 4(-)

Dimension

