

DC Isolating Transmitters

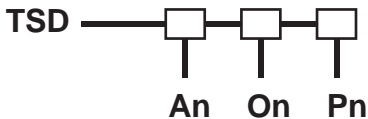
TSD



Features

- ⊙ Wide input ranges selection
1mV to 200V / 50uA to 50 mA
- ⊙ Wide output ranges selection
- ⊙ Accuracy 0.2%
- ⊙ Input/output isolation 1.6KV DC

Model



Input Range Voltage	An	Input Range Current	An	Output Range Voltage/Current	On	Aux. Power Standard	Pn
0~10 mV	A	0~200 uA	1	0~1 V	A	AC120V	A
0~20 mV	B	0~500 uA	2	0~2 V	B	AC240V	B
0~50 mV	C	0~1 mA	3	0~5 V	C		
0~100 mV	D	0~2 mA	4	1~5 V	D	Option	
0~200 mV	E	0~5 mA	5	0~10 V	E		
0~500 mV	F	1~5 mA	6	2~10 V	F	DC 24V	C
0~1 V	G	0~10 mA	7	0~1 mA	G	DC 48V	D
-1~+1 V	H	2~10 mA	8	0~2 mA	H	DC 12V	E
0~2 V	I	0~20 mA	9	0~5 mA	I		
0~5 V	J	4~20 mA	10	1~5 mA	J		
1~5 V	K	0~50 mA	11	0~10 mA	K		
-5~+5 V	L	10~50 mA	12	2~10 mA	L		
0~10 V	M	20~4 mA	13	0~16 mA	M		
2~10 V	N	50~10 mA	14	0~20 mA	N		
-10~+10V	P	Specified	Y	4~20 mA	P		
0~20 V	Q			Specified	Y		
0~50 V	R						
0~100 V	S						
0~150 V	T						
0~200 V	U						

* 20-4 mA & 50-10 mA be reversed of input connection



HSIANG CHENG ELECTRIC CORP.

4F., No.11, Ln. 235, Baoqiao Rd., Xindian Dist., New Taipei City 231, Taiwan

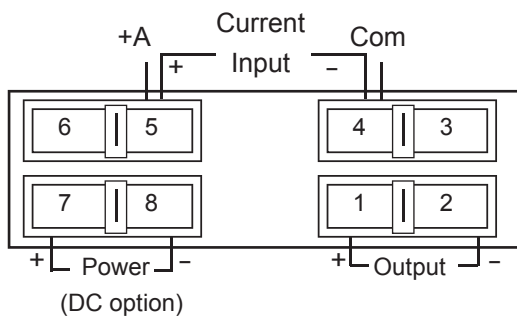
TEL : 886-2-29175865~9 FAX : 886-2-29173946 E-mail : expo.sales@hc.com.tw

Specification

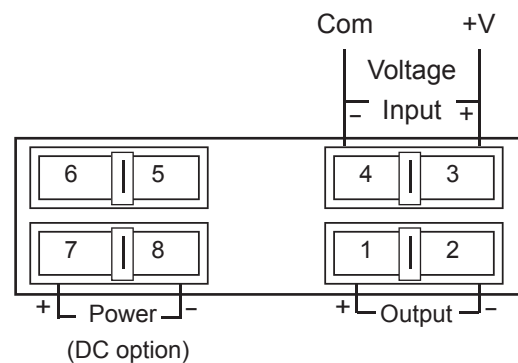
Accuracy (23±3°C)	0.2% ro
Linearty & repeatability	0.05% typical
Temperature stability	≤0.01% ro per degree C
Input resistance-ohm	≥100M.....≤2 V ranges, ≥500K.....> 2 V ranges ≤20.....for all current input ranges
Maximum input over	≤300 Vrms continuous.....> 2V ranges ≤150 Vrms continuous.....≤2V ranges ≤150 mA continuous for current input
Power effect	< 0.003% for per volt change
Response time & ripple	250 ms typically, ripple < 0.1% rms ro
Common mode rejection	120 db DC to 60hz
Dielectric strength	1500 Vac.....power/input & output terminals 1600 Vdc.....input/output terminals
Output drive capability	≤10 mA for voltage modes,≤10V for current mode
Operating condition	-5 ~ 55°C, humidity 20~95% RH non-condensed
Storage condition	-10~70°C humidity 20~95% RH non-condensed
Power supply	±20% of rated, less 3.5 va for AC input ±20% of rated, less 3.5 watt for DC input
Construction	Socket plug-in type with barrier terminals

Terminal onnection

Current Input Mode



Voltage Input Mode



Dimension

