



Model HST-98

Analog Panel Meters



HST-98 3.5"

Features

Case and Composition: ABS case and PC cover.
 Two studs mounting (window mount option included).
 Color: Black case and white scale plate.
 Pointer: Tube type, color in black.
 Accuracy: +2.0% full scale value

Hz Meter

Measuring Ranges : 45-65Hz, 45-66Hz, 66-65Hz.
 Rated Voltage : 110V, 220V, 380V.
 Accuracy : +2.0% full scale.

■ Equivalent to Yokogawa (YCA) Horizon Series

Measuring Ranges

Moving Coil Type

DC μ A	DC mA	DC A	DC mV	DC V
50	1	1	60	3
100	5	1.5	80	5
150	10	10	150	15
200	20	20	500	20
250	80	30		30
300	100			50
500	150			100
	200			150
	250			200
	300			300
	500			600

Moving Iron Type

AC A	AC V
1	2
1.5	5
5	10
10	50
20	100
	150
	200
	300
	500
	600

Rectifier Type

AC V
36
50
100
150
200
300
500
600

HZ Meter

Hz
45~65
45~66
65~66

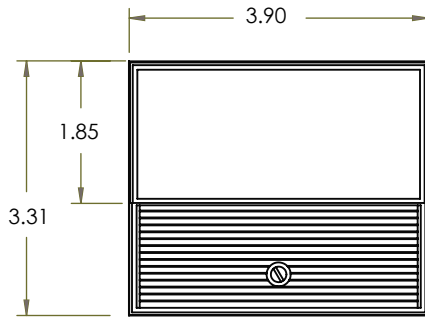
■ Consult Hoyt for other measuring ranges and scales



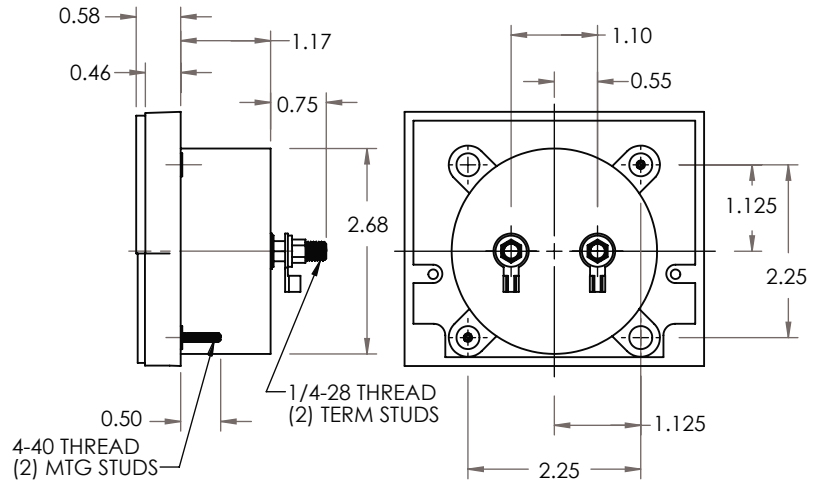
Model HST-98

Analog Panel Meters

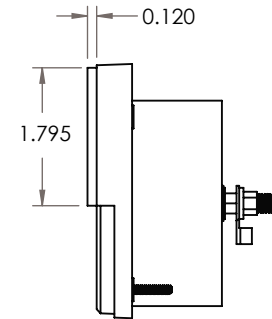
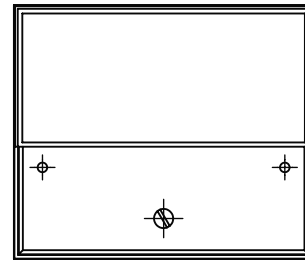
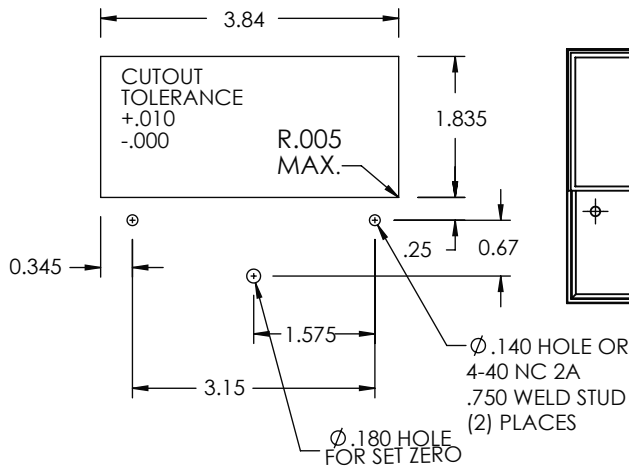
Dimensions



FRONT WITH REMOVABLE COVER/MASK



PANEL CUTOUT BEHIND PANEL MOUNTING



PANEL CUTOUT FOR SURFACE MOUNTING

