



Model HST-94

Analog Panel Meters



HST-94 3-1/2"

Equivalent to Yokogawa (YCA) Stylist Series

Features

Case and Composition: ABS case and PC cover.
 Accuracy: $\pm 2.0\%$ full scale value
 Color: Black case and white scale plate
 Pointer: Knife-type, color in black
 Mounting: Four studs mounting

Hz Meter

Measuring Ranges : 45~65 Hz, 55~65 Hz
 Rated Voltage : 120V, 240V
 Accuracy : $\pm 2.0\%$ full scale value

Ordering information

DC Ammeter (Pivot and Jewel Movement)

Part Number	FS	Scale	Part Number	FS	Scale
HST-94-DCA-100UADC	100 UADC	0-100UADC	HST-94-DCA-10ADC-SC	10 ADC	0-10 ADC SC
HST-94-DCA-200UADC	200 UADC	0-200UADC	HST-94-DCA-15ADC-SC	15 ADC	0-15 ADC SC
HST-94-DCA-500UADC	500 UADC	0-500UADC	HST-94-DCA-25ADC-SC	25 ADC	0-25 ADC SC
HST-94-DCA-50/0/50UADC	50 UADC	0-50/0/50UADC	HST-94-DCA-30ADC-SC	30 ADC	0-30 ADC SC
HST-94-DCA-100/0/100UADC	100 UADC	0-100/0/100UADC	HST-94-DCA-50ADC-SC	50 ADC	0-50 ADC SC
HST-94-DCA-500/0/500UADC	500 UADC	0-500/0/500UADC	HST-94-DCA-50MVDC-25ADC	50 MVDC	0-25 ADC
HST-94-DCA-1MADC	1 MADC	0-1MADC	HST-94-DCA-50MVDC-50ADC	50 MVDC	0-50 ADC
HST-94-DCA-5MADC	5 MADC	0-5MADC	HST-94-DCA-50MVDC-100ADC	50 MVDC	0-100 ADC
HST-94-DCA-10MADC	10 MADC	0-10MADC	HST-94-DCA-50MVDC-150ADC	50 MVDC	0-150 ADC
HST-94-DCA-50MADC	50 MADC	0-50MADC	HST-94-DCA-50MVDC-200ADC	50 MVDC	0-200 ADC
HST-94-DCA-100MADC	100 MADC	0-100MADC	HST-94-DCA-50MVDC-300ADC	50 MVDC	0-300 ADC
HST-94-DCA-300MADC	300 MADC	0-300MADC	HST-94-DCA-50MVDC-500ADC	50 MVDC	0-500 ADC
HST-94-DCA-500MADC	500 MADC	0-500MADC	HST-94-DCA-50MVDC-750ADC	50 MVDC	0-750 ADC
HST-94-DCA-1ADC-SC	1 ADC	0-1 ADC SC	HST-94-DCA-50MVDC-1KADC	50 MVDC	0-1K ADC
HST-94-DCA-3ADC-SC	3 ADC	0-3 ADC SC	HST-94-DCA-50MVDC-1.5KADC	50 MVDC	0-1.5K ADC
HST-94-DCA-5ADC-SC	5 ADC	0-5 ADC SC	HST-94-DCA-50MVDC-3KADC	50 MVDC	0-3K ADC
			HST-94-DCA-50MVDC-5KADC	50 MVDC	0-5K ADC



Model HST-94

Analog Panel Meters

Ordering information

AC Ammeter (Iron Vane Movement)

Part Number	FS	Scale
HST-94-ACA-5AAC-50AAC	5 AAC	0-50 AAC
HST-94-ACA-5AAC-100AAC		0-100 AAC
HST-94-ACA-5AAC-150AAC		0-150 AAC
HST-94-ACA-5AAC-200AAC		0-200 AAC
HST-94-ACA-5AAC-300AAC		0-300 AAC
HST-94-ACA-5AAC-500AAC		0-500 AAC
HST-94-ACA-5AAC-750AAC		0-750 AAC
HST-94-ACA-5AAC-1KAAC		0-1K AAC
HST-94-ACA-5AAC-1.5KAAC		0-1.5K AAC
HST-94-ACA-5AAC-3KAAC		0-3K AAC
HST-94-ACA-5AAC-5KAAC		0-5K AAC

Part Number	FS	Scale
HST-94-ACA-10AAC-SC	10 AAC	0-10 AAC SC
HST-94-ACA-15AAC-SC	15 AAC	0-15 AAC SC
HST-94-ACA-30AAC-SC	30 AAC	0-30 AAC SC
HST-94-ACA-50AAC-SC	50 AAC	0-50 AAC SC

DC Voltmeter (Pivot and Jewel Movement)

Part Number	FS	Scale
HST-94-DCV-1 VDC	1 VDC	0-1 VDC
HST-94-DCV-3 VDC	3 VDC	0-3 VDC
HST-94-DCV-10 VDC	10 VDC	0-10 VDC
HST-94-DCV-15 VDC	15 VDC	0-15 VDC
HST-94-DCV-25 VDC	25 VDC	0-25 VDC
HST-94-DCV-30 VDC	30 VDC	0-30 VDC
HST-94-DCV-50 VDC	50 VDC	0-50 VDC
HST-94-DCV-100 VDC	100 VDC	0-100 VDC

Part Number	FS	Scale
HST-94-DCV-150 VDC	150 VDC	0 - 150VDC
HST-94-DCV-200 VDC	200 VDC	0 - 200VDC
HST-94-DCV-250 VDC	250 VDC	0 - 250VDC
HST-94-DCV-300 VDC	300 VDC	0 - 300VDC
HST-94-DCV-500 VDC	500 VDC	0 - 500VDC
HST-94-DCV-600 VDC	600 VDC	0 - 600VDC
HST-94-DCV-750 VDC	750 VDC	0 - 750VDC

AC Voltmeter (Iron Vane Movement)

Part Number	FS	Scale
HST-94-ACV-150 VAC	150 VAC	0-150 VAC
HST-94-ACV-300 VAC	300 VAC	0-300 VAC
HST-94-ACV-500 VAC-CAT3-KIT	500 VAC	0-500 VAC KIT
HST-94-ACV-600 VAC-CAT3-KIT	600 VAC	0-600 VAC KIT
HST-94-ACV-150 VAC-300 VAC	150 VAC	0-300 VAC

Part Number	FS	Scale
HST-94-ACV-150 VAC-600 VAC	150 VAC	0-600 VAC
HST-94-ACV-150 VAC-750 VAC	150 VAC	0-750 VAC
HST-94-ACV-150 VAC-1K VAC	150 VAC	0-1K VAC
HST-94-ACV-150 VAC-3K VAC	150 VAC	0-3K VAC
HST-94-ACV-150 VAC-5K VAC	150 VAC	0-5K VAC

Frequency meter (Pivot and Jewel Movement)

Part Number	FS	Rated voltage
HST-94-HZ-45/65HZ-120VAC	45-65 HZ	120 VAC
HST-94-HZ-45/65HZ-240VAC	45-65 HZ	240VAC
HST-94-HZ-55/65HZ-120VAC	55-65 HZ	120 VAC
HST-94-HZ-55/65HZ-240VAC	55-65 HZ	240VAC

■ Consult Hoyt for other measuring ranges and scales

Hoyt Electrical Instrument Works, Inc.

Phone: (800) 258-3652
 Fax: (603) 753-9592
 Email: sales@hoytmeter.com

www.hoytmeter.com

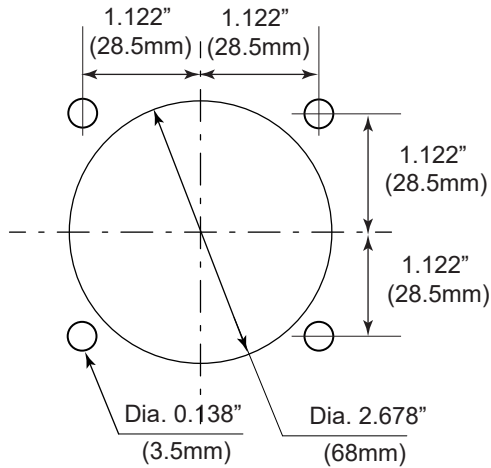
23 Meter Street
 Penacook, NH 03303



Model HST-94

Analog Panel Meters

Dimensions



Panel Cut-Out

