



# Model HST-57

## Analog Panel Meters

### 1.5" HST-57N

4 Stud Surface Mount with removable black band

Equivalent to Yokogawa (YCA) Stylist Series 260-1



### Features

Case & Composition: Plastic case.  
Black case, white scale plate.

Pointer: Black Knife Edge Pointer.

Accuracy:  $\pm 2.0\%$  full scale value.

### Hz Meter

Measuring Ranges: 45~65 Hz,  
45~55 Hz,  
55~65 Hz.

Rated Voltage: 120V, 240V.

Accuracy:  $\pm 2.0\%$  full scale.

### 1.5" HST-57W

Window Mount without mounting studs & black band

Equivalent to Yokogawa (YCA) Horizon Series 251-1, 255-5



### Specifications

Relative Humidity: 20% to 80%RH (Nominal Use).

Operating Temperature: 32°F to 104°F (0°C to 40°C).

Storage Temperature: -4°F to 131°F (-20°C to 55°C).

Performance: ANSI C39.1.

Vibration: ANSI C39.1.

Enclosure: IP42 unless otherwise noted.

### Measuring Ranges

#### Moving Coil Type

| DC uA | DC mA | DC A | DC mV | DC V |
|-------|-------|------|-------|------|
| 50    | 1     | 1    | 50    | 3    |
| 100   | 5     | 1.5  | 60    | 5    |
| 150   | 10    | 5    | 100   | 10   |
| 200   | 20    | 10   | 500   | 20   |
| 250   | 50    | 20   |       | 30   |
| 300   | 100   |      |       | 50   |
| 500   | 150   |      |       | 100  |
|       | 200   |      |       | 150  |
|       | 250   |      |       | 200  |
|       | 300   |      |       | 300  |
|       | 500   |      |       | 500  |

#### Rectifier Type

| AC V |
|------|
| 30   |
| 50   |
| 100  |
| 150  |
| 200  |
| 300  |
| 500  |

#### HZ Meter

| Hz       |
|----------|
| 45~65 Hz |
| 45~55 Hz |
| 55~65 Hz |

Consult Hoyt for other measuring ranges and scales

**Hoyt Electrical Instrument Works, Inc.**

23 Meter Street  
Penacook, NH 03303

Phone: (800) 258-3652  
Fax: (603) 753-9592  
Email: sales@hoytmeter.com

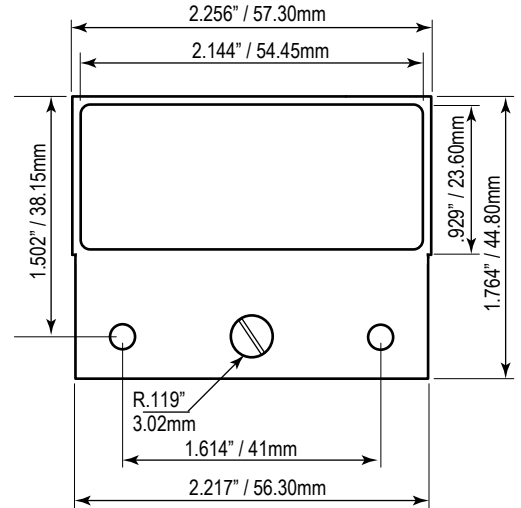
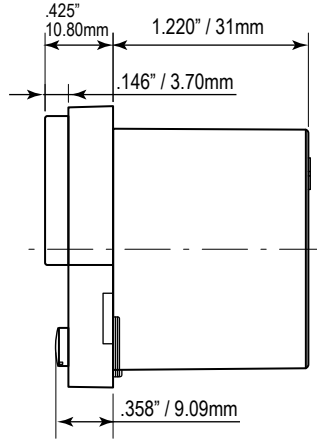
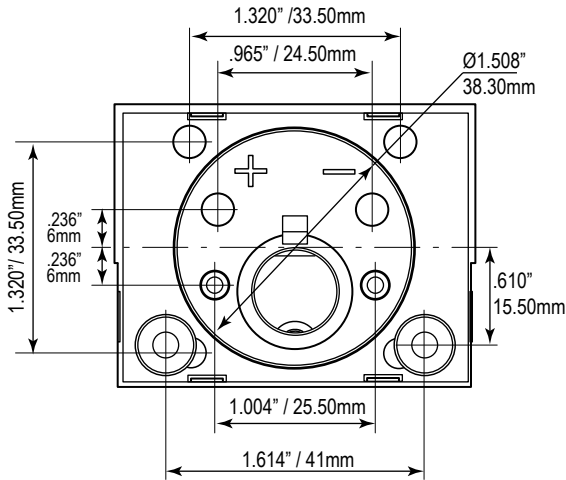
[www.hoytmeter.com](http://www.hoytmeter.com)



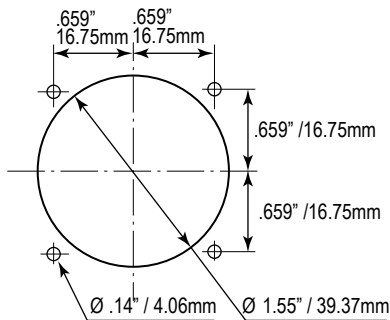
# Model HST-57

## Analog Panel Meters

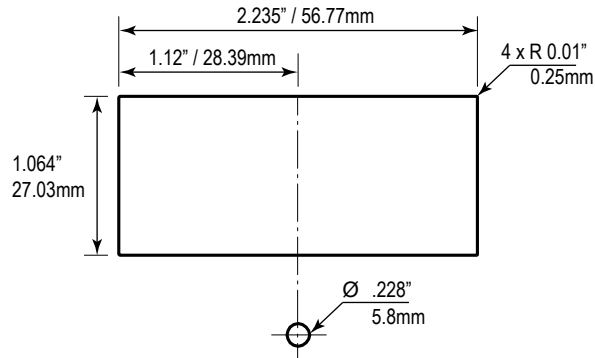
### Dimensions



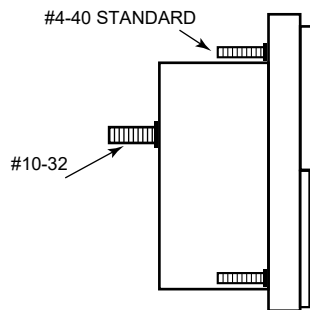
### PANEL CUT-OUT



### WINDOW MOUNT PANEL CUT-OUT



### SURFACE MOUNT



### WINDOW MOUNT

