



HLS-110DI AC/DC Two-Vue Combo Ammeter

Analog Switchboards Meters



Hoyt TWO-VUE switchboard meters are combination Digital/Analog indicating instruments. They can be configured to accept VAC, AAC, VDC, or ADC input. Both the digital and analog displays can be modified to represent virtually any scaling or engineering units as required. The unit is contained in a 4-1/4" switchboard housing. It utilizes a pivot and jewel moving element and a 0.56", 3-1/2 digit display for indication (± 1999 counts).

- Analog and digital display to provide the ultimate in readability of power and control parameters.
- Drop-in replacement for upgrade of existing controls and switchgear panels.
- Rugged switchboard style case and IP54 rated cover.
- High-intensity LED digital displays with high reliability analog movements.
- Standard models for DC voltage and current, with custom scales and dials available as options.

Specifications

Scaling:	Scaling options are limited only in that there can be no offset zero scaling for the digital display.
Overload:	DC Voltage inputs: x1.2 continuous or 700V max, x1.5 for 10 seconds. DC Current: x1.2 continuous, x1.5 for 10 seconds.
Burden:	VDC: <0.5 W @ 600 VDC ADC: <0.5 W @ 1 ADC
Isolation Test Voltage:	2 KV for 60 seconds aux. power to input, aux. power to case, input to case.
Power supply	Voltage: 120V $\pm 15\%$ standard, optional 240V $\pm 15\%$, 125 VDC ± 15 VDC, 24 VDC ± 6 VDC, 48 VDC ± 12 VDC. Frequency: 50/60 Hz ± 2 Hz (48 Hz to 62 Hz) Burden: <3.5 VA.
Display Analog	Pivot and Jewel, damped moving element with 220° deflection. 6.35" total scale length. White scale with black markings and black pointer (standard). Response time less than 2.5 seconds (0-90%). Center and offset zero are available. The Display may be scaled to any scaling ratio or to represent any engineering units as required. No external zero regulator. Mechanical zero adjust with special tool. Internal adjustment for electrical zero and FS.
Optional features:	Alternate black scale plates, custom logos, colored lines, segments or scales, white or Day-glo orange pointer.



HLS-110DI AC/DC Two-Vue Combo Ammeter

Analog Switchboards Meters

Specifications

Display Digital	3 1/2 digit, 7 segment display 0.56" (14.2mm) digit height. Red or green LED. Negative polarity indicator. Selectable decimal point settings. Update rate is 2.5 times per second. Response time less than 1 second (90%).
Accuracy:	Reference conditions 25° C. Analog: ±1% of full scale deflection. Digital: AC ±0.1% of reading ±3 counts DC ± 2 counts.
Temperature Coefficient:	200 ppm/°C of full scale for digital display. Less than 1% additional analog display error over operating temperature range.
Long Term Stability:	Analog: ±0.8%. Digital: ±2 counts. Warm Up time: 10 minutes.
Cover:	Polycarbonate UL94V0 rated cover and window.
Terminal Plate:	Phenol Resin.
Enclosure Rating:	IP54 (Dust Proof/Splash Proof).
Weight:	<2.5 lbs (1134g) including all mounting and connection hardware.
Operating Temperature:	0° to 60°C, 32° to 140°F.
Storage Temperature:	-20° to 70°C, -4° to 158°F.
Humidity:	90% non-condensing relative humidity @ 40°C, 104°F.
Isolation Voltage:	2kV for 1 minute between input and case, input and aux. power, aux. power and case.
Vibration:	8-42 Hz, 0.1 to 2 g, 3 axis.
Shock:	50 g @ 7 ms for 10 shocks, 3 axis.
Calibration:	Recommended calibration interval is 2 years.

Input Ranges / Scales

Input ADC	Input AAC*	Transformer Rated (5A)*
0-200 uA	0-1 A	0-5 A / 0-10.00 A
0-500 uA	0-5 A	0-5 A / 0-15.00 A
200-0-200 uA		0-5 A / 0-20.0 A
500-0-500 uA		0-5 A / 0-25.0 A
0-1 mA		0-5 A / 0-30.0 A
0-10 mA		0-5 A / 0-40.0 A
0-100 mA		0-5 A / 0-50.0 A
0-500 mA		0-5 A / 0-75.0 A
0-1 A		0-5 A / 0-100.0 A
1-0-1 mA		0-5 A / 0-150.0 A
10-0-10 mA		0-5 A / 0-200.0 A
100-0-100 mA		0-5 A / 0-250.0 A
500-0-500 mA		0-5 A / 0-300.0 A
1-0-1 A 1-5 mA		0-5 A / 0-400.0 A
4-20 mA		0-5 A / 0-500.0 A
10-50 mA		0-5 A / 0-600.0 A
		0-5 A / 0-800.0 A
		0-5 A / 0-1000.0 A
		0-5 A / 0-1200.0 A
		0-5 A / 0-1500.0 A

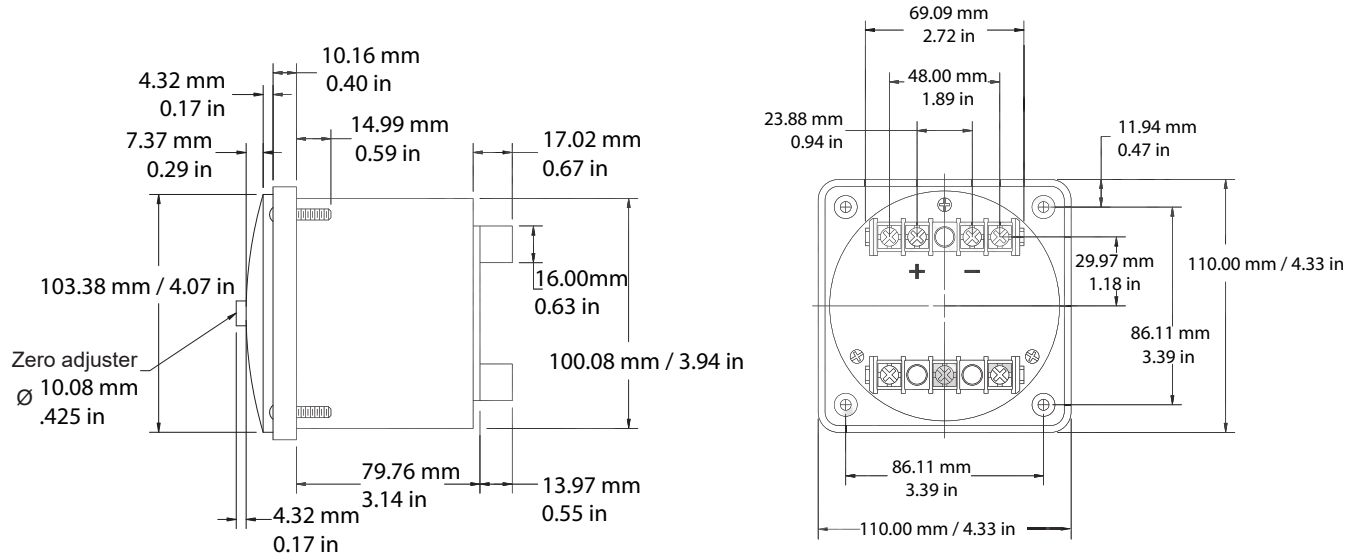
* External Transducer Required



HLS-110DI AC/DC Two-Vue Combo Ammeter

Analog Switchboards Meters

Dimensions



PANEL CUT-OUT

