



# HLS-110, HLS-80 AC/DC Ammeters

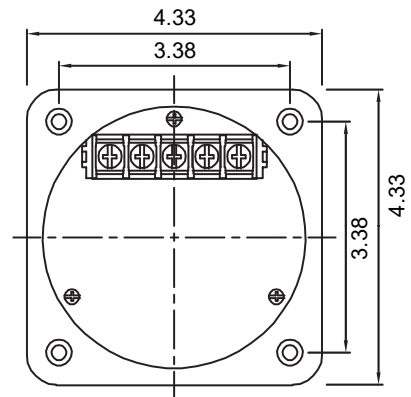
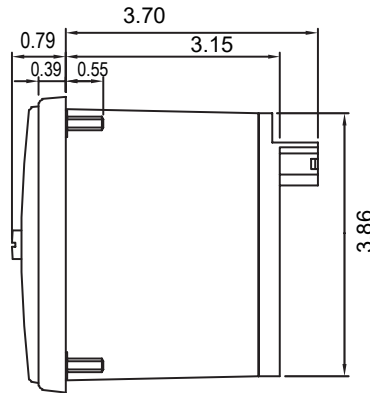
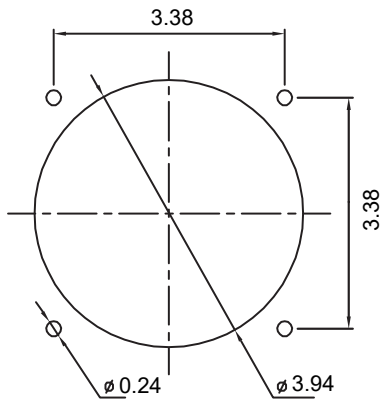
## Analog Switchboards Meters



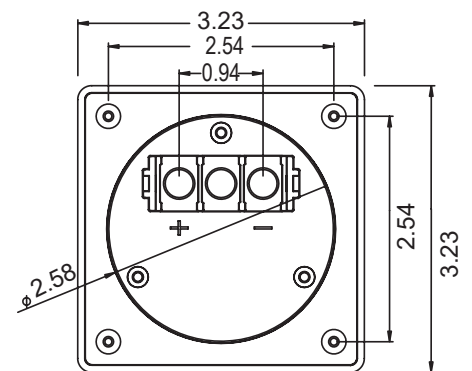
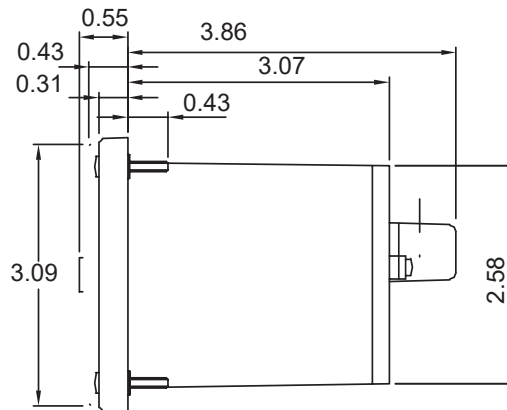
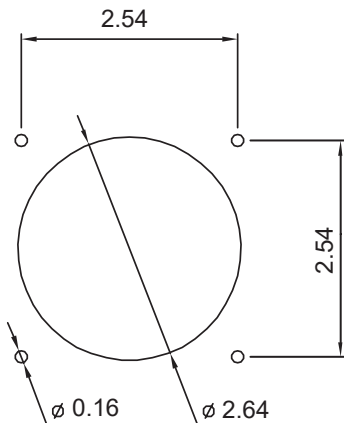
- Easy to read long-scales and pointer-indications can easily be read from a distance.
- Full Scale Deflection: 250°
- Accuracy: Class 1.5
- Scale Length: HLS-110: 183mm | HLS-80: 140mm
- Case and Composition: Acrylic resin cover, plastic body and terminal.  
Four studs mounting.
- Color: White scale plate, black terminal plate, black meter body.
- Pointer: Sword-type in black color.

### Dimensions

#### HLS-110



#### HLS-80





# HLS-110, HLS-80 AC/DC Ammeters

## Analog Switchboards Meters

### DC Ammeter Moving Coil Type (Class = 1.5)

For ranges higher than 20A DC, use external shunt with a 50mV DC Ammeter.

Measuring range for direct connection Internal resistance : 500Ω			Measuring range for connection to shunt. Burden : 50mV	
0-1mA	0-40mA	0-1A	0-1A	
0-1.5mA	0-50mA	0-1.5A	0-15A	
0-2mA	0-70mA	0-2A	0-7.5A	
0-3mA	0-100mA	0-3A	0-20A	
0-5mA	0-150mA	0-5A	0-10A	
0-7.5mA	0-200mA	0-7.5A		
0-10mA	0-300mA	0-10A		
0-15mA	0-500mA	0-15A		
0-20mA	0-750mA	0-20A		
0-30mA				

### AC Ammeter (Class = 1.5)

For ranges higher than 5A AC, use external Current Transformer with a 5A AC Ammeter.

Measuring range for direct connection		Measuring range for connection CT		
Measuring range	Extended range type	CT ratio	Measuring range	Extended range type
0-1A	<b>0-X-2X</b>	10/5	0-10A	<b>0-X-2X</b> <b>0-X-3X</b>
0-3A	0-1-2A	15/5	0-15A	0-10-20A <b>0-X-5X</b>
0-5A	0-3-6A	20/5	0-20A	0-15-30A    Available on request
0-10A	0-5-10A	25/5	0-25A	0-20-40A
0-15A	0-10-20A	30/5	0-30A	0-25-50A
0-20A	<b>0-X-3X</b>	40/5	0-40A	0-30-60A
	0-1-3A	50/5	0-50A	0-40-80A
	0-3-9A	60/5	0-60A	0-50-100A
	0-5-15A	75/5	0-75A	0-60-120A
		80/5	0-80A	0-75-150A
		100/5	0-100A	0-80-160A
		150/5	0-150A	0-100-200A
		200/5	0-200A	0-150-300A
		300/5	0-300A	0-200-400A
		400/5	0-400A	0-300-600A
		500/5	0-500A	0-400-800A
		600/5	0-600A	0-500-1000A
		750/5	0-750A	0-600-1200A
		800/5	0-800A	0-750-1500A
		1000/5	0-1000A	0-800-1600A
		1500/5	0-1500A	0-1000-2000A
		2000/5	0-2000A	0-1500-3000A
		3000/5	0-3000A	0-2000-4000A
				0-3000-6000A