



Model 6045 MR and 6046 MR

6000 Series - Analog Meter Relays



4-1/2" 6045 MR DC

4-1/2" 6046 MR AC Rectified

Features

- Low Depth - 4.5".
- Wide variety of control, alarm, and limit use.
- Calibration unaffected by steel panel mounting.
- Infrared LED/photo transistor.
- 0-2 / 0-20 second time delay STD.
- 5-A 120/220V relay contact, double pole-double throw.
- Stable electronic switching circuit does not use lamps, photocells, inductors or capacitors.
- Isolated input signal.
- Control function continues if the indicator becomes damaged.
- LED relay status indicators.
- Custom dials multi-color, gradient color, photos, and logos - as you wish.

Specifications

Accuracy	DC: $\pm 2\%$ of full scale. AC: $\pm 3\%$ of full scale.
Movement Suspension	Core Type, Self-shielding. Taut Band.
Tracking	$\pm 3\%$
Repeatability	Within 0.5% of full scale.
Shielding	Calibration unaffected by magnetic panel mounting.
Dial	Sharp, clear, flattened arc. Customs and logos available.
Case	Lexan.
Pointer	Black, Tubular
Control Point	Single - high limit, 0-100% of arc.
Adjustments	Double - high limit 5-100% of arc, Low limit 0-95% of arc, adjustable to within 4° of each other.
Switching	Within 2% of indication.
Auto / Manual Reset	Latching function enabled independently for each relay removing jumpers on terminal block. Add and replace with a normal open pushbutton switch.
Contacts/ Output Relay	DPDT relay contacts for each control point, each set contacts rated at 5amps, 20/240VAC resistive.
Power Options	1) 70-170VAC, 50-400Hz / 70-170VDC. 2) 8-32 VDC
Operating temperature	+41°F to 122°F (°5C to °50C)

Accessories

- Relay latching
- External reset switch
- Finger knob setpoint adjusters

Applications

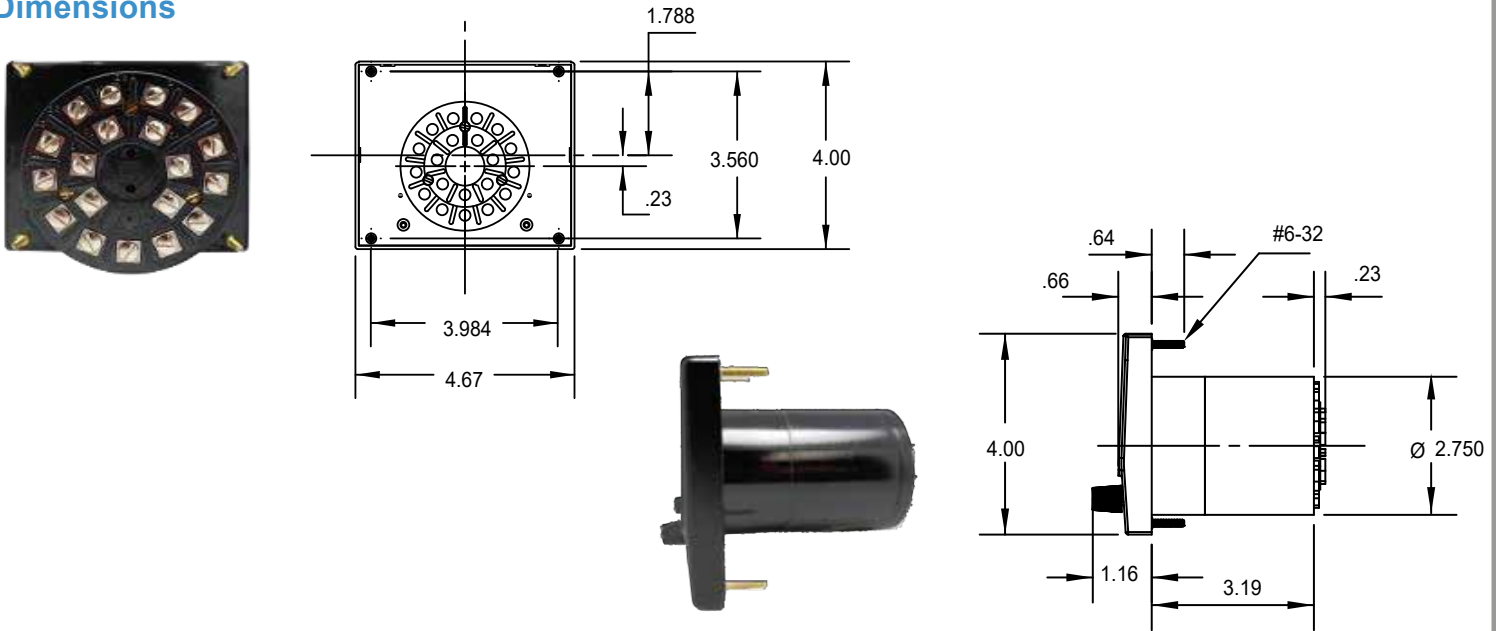
- Liquid level control
- Load shedding
- Power factor correction
- High & Low alarms
- Shutdown
- Frequency monitoring
- Temperature indication and control



Model 6045 MR and 6046 MR

6000 Series - Analog Meter Relays

Dimensions



Meter Relay Configurator

Model	Relay	Time Delay	Reset	Aux Power	Input	Scale
6045 MR	H = HIGH	0 = 0-2 SEC	A = AUTO	A = 100-132VAC	1M ADC	SPECIFY
	HL = HIGH/LOW	2 = 0-20 SEC	C = MANUAL NC	D = 8-32VDC	150 VDC	
6046 R	L = LOW		O = MANUAL NO		300 VDC	SPECIFY
	H = HIGH	0 = 0-2 SEC	A = AUTO	A = 100-132VAC	50M VDC	
6046 R	HL = HIGH/LOW	2 = 0-20 SEC	C = MANUAL NC	D = 8-32VDC	100M VDC	SPECIFY
	L = LOW		O = MANUAL NO		150 VDC	
					300 VDC	
					5 AAC	

Catalog Numbers

6045 MR

6046 MR

High Setpoint

6045-H0AA-1MADC
6045-H0AA-150VDC
6045-H0AA-300VDC
6045-H0AA-50MVDC-SCALE*

6046R-H0AA-150VAC
6046R-H0AA-300VAC
6046R-H0AA-5AAC-SCALE*

High/Low Setpoint

6045-HL0AA-1MADC
6045-HL0AA-150VDC
6045-HL0AA-300VDC
6045-HL0AA-50MVDC-SCALE*

6046R-HL0AA-150VAC
6046R-HL0AA-300VAC
6046R-HL0AA-5AAC-SCALE*

Low Setpoint**

6045-L0AA-1MADC
6045-L0AA-150VDC
6045-L0AA-300VDC
6045-L0AA-50MVDC-SCALE*

6046R-L0AA-150VAC
6046R-L0AA-300VAC
6046R-L0AA-5AAC-SCALE*

* - Please, specify your scale information upon order

Hoyt Electrical Instrument Works, Inc.

Phone: (800) 258-3652

www.hoytmeter.com

23 Meter Street

Fax: (603) 753-9592

Penacook, NH 03303

Email: sales@hoytmeter.com