

Model JCK-5C

Outdoor Current Transformer
15.5 kV, 110 kV BIL, 5 to 1,200 A Range

Application

Designed for outdoor service; suitable for operating meters, instruments, relays and control devices.

Weight & Dimensions

Height: 14.55"
Depth: 12.37"
Width: 10.88"
Weight (Approximate).....40 lbs

Insulation Level

15.5 kV; BIL: 110 kV per C57.13

Frequency

60 Hz



General Information

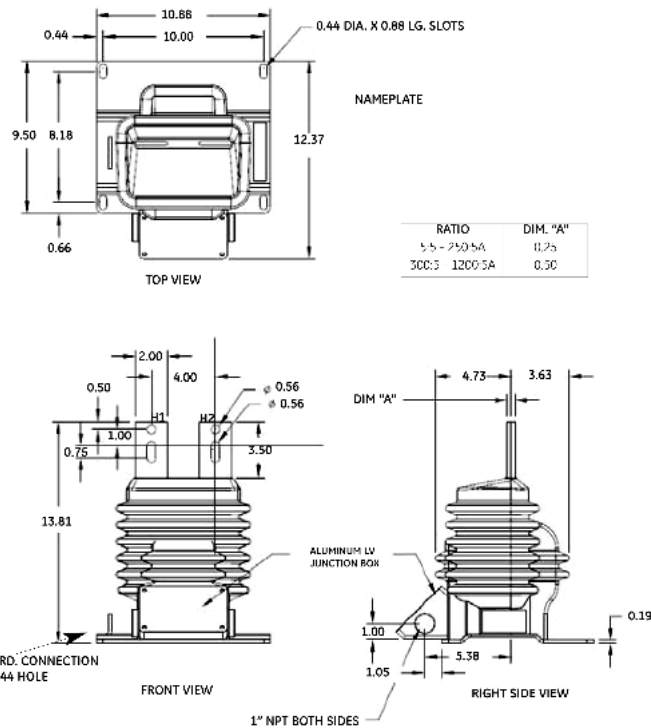
JCK-5C are manufactured in GE's Clearwater, FL. plant utilizing state-of-the-art Automated Pressure Gelation (APG) process and Hydrophobic Cycloaliphatic Epoxy (HCEP) for the entire line of outdoor current transformers. Insulation levels meet or exceed those specified in IEEE C57.13. Dimensions meet IEEE C12.11. Superior designs, HCEP epoxy, and the APG process are combined to produce the highest quality and reliability available in the industry for outdoor applications.

Unit Selection Model JCK-5C

Catalog Number	Current Ratio	Relay Class 60 Hz	Metering Class 60 Hz	Rating Factor
Single Ratio Type JCK-5C 15 kV, 110 kV BIL				
755C152001	5:5	C40	0.3 B-0.5	3.0
755C152002	10:5	C40	0.3 B-0.5	3.0
755C152003	15:5	C40	0.3 B-0.5	3.0
755C152004	20:5	C40	0.3 B-0.5	3.0
755C152005	25:5	C40	0.3 B-0.5	3.0
755C152006	30:5	C40	0.3 B-0.5	3.0
755C152007	40:5	C40	0.3 B-0.5	3.0
755C152008	50:5	C40	0.3 B-0.5	3.0
755C152009	75:5	C40	0.3 B-0.5	3.0
755C152010	100:5	C40	0.3 B-0.5	3.0
755C152011	150:5	C40	0.3 B-0.5	3.0
755C152012	200:5	C40	0.3 B-0.5	3.0
755C152013	300:5	C40	0.3 B-0.5	3.0
755C152014	400:5	C40	0.3 B-0.5	3.0
755C152015	600:5	C40	0.3 B-0.5	2.0
755C152016	800:5	C40	0.3 B-0.5	1.5
755C152017	1,000:5	C40	0.3 B-0.5	1.2
755C152018	1,200:5	C40	0.3 B-0.5	1.0



JCK-5C - Dimensions



General Construction

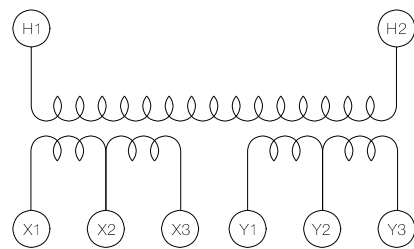
Insulation - Hydrophobic Cycloaliphatic Epoxy (HCEP)
 Baseplate - Heavy gage marine grade aluminum
 Conduit box - Cast aluminum, removable, 1" threaded hubs
 Nameplate - Anodized aluminum
 Mounting - Horizontal, Vertical, Inverted

HCEP Resin Features

Ideal for outdoor applications
 Excellent water repellent characteristics
 High mechanical properties
 Excellent dielectric properties - stable in outdoor humid conditions
 Enhanced thermal cycle resistance
 High resistance to erosion from ultra violet (UV) radiation
 High tracking and arc resistance
 Extended service life

Connection Diagram

Available in multiple configurations up to and including: Double ratio with tap on the secondary winding



GEGridSolutions.com

ITI-Model-JCK-5C-2017-07-Grid-AIS-1449. © Copyright 2017. General Electric Company and Instrument Transformers LLC reserve the right to change specifications of described products at any time without notice and without obligation to notify any person of such changes.

Worldwide Contact Center

Web: www.GEGridSolutions.com/contact
 Phone: +44 (0) 1785 250 070
 USA and Canada: +1 (0) 800 547 8629
 Europe, Middle East and Africa: +34 (0) 94 485 88 00