



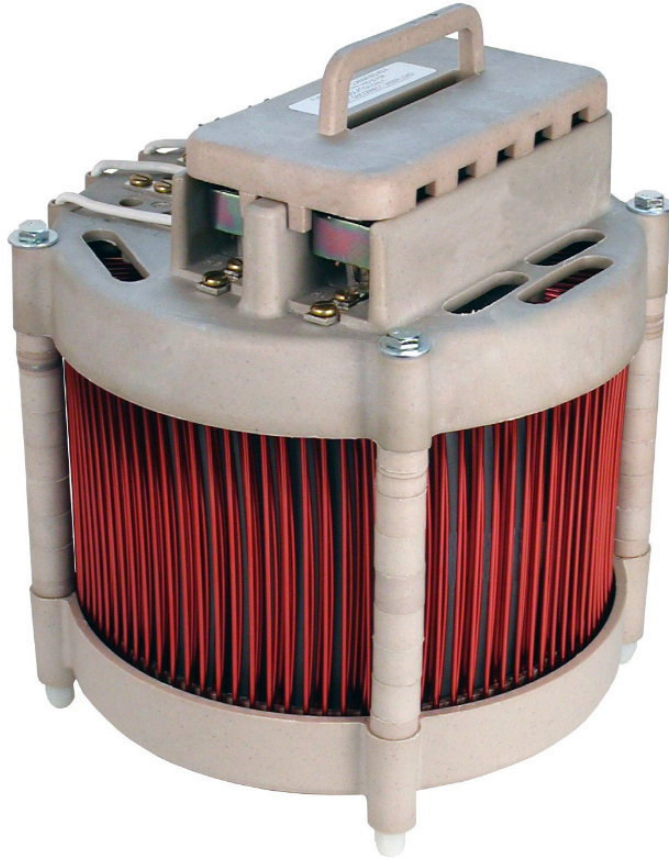
REGULATORY AGENCY APPROVALS



E161807

UL recognition is under file E161807
manufactured and tested to UL Standard 506.

60 Hz



APPLICATION:

Control power transformer for line to line primary connection with dual secondary operation- 240/120 volts-see connection diagram.

(Primary and secondary fuse clips supplied)

Fuses are optional and are available on request.

For primary fuses only, add "F" to the end of the part number - example 403-480-6F. For primary and secondary fuses add "FF" to the end of the part number 403-480-6FF.

This transformer may have very high inrush currents. Therefore type RK-5 fuses must be used. See table for ampacity selection.

FREQUENCY:

60 Hz.

INSULATION LEVEL:

0.6 kV, Class H (180°C).

STANDARD SECONDARY VOLTAGE:

240 Volts with center tap.

THERMAL RATING:

120°C. rise @ 40°C amb.

Terminals are 10-32 plain brass, pan head screws.

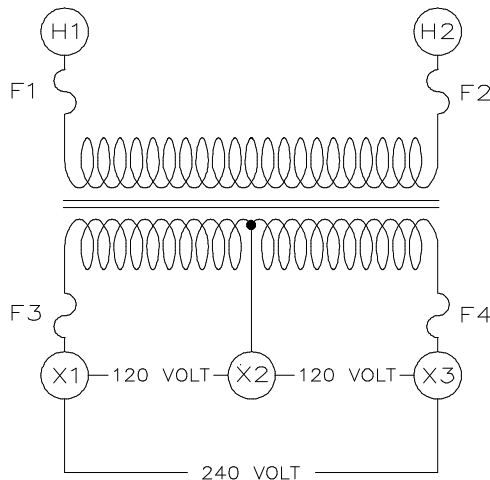
Mounting bolts (4) are 1/4-20, zinc plated.

*Vendor to supply ILSCO terminal lugs (SLU-25), or provision to accept #10 ring terminals.

Fuse puller is classified as a fuse holder and is for isolation only!

Do not disconnect under load.

CONNECTION DIAGRAM



MODEL	RATING @ 40°C	TOTAL WATTS DISSIPATED (Approx.)	APPROX. WEIGHT
401	1 kVA	50	30
402	2 kVA	80	35
403	3 kVA	100	40
405	5 kVA	170	60

Model 401 - 405

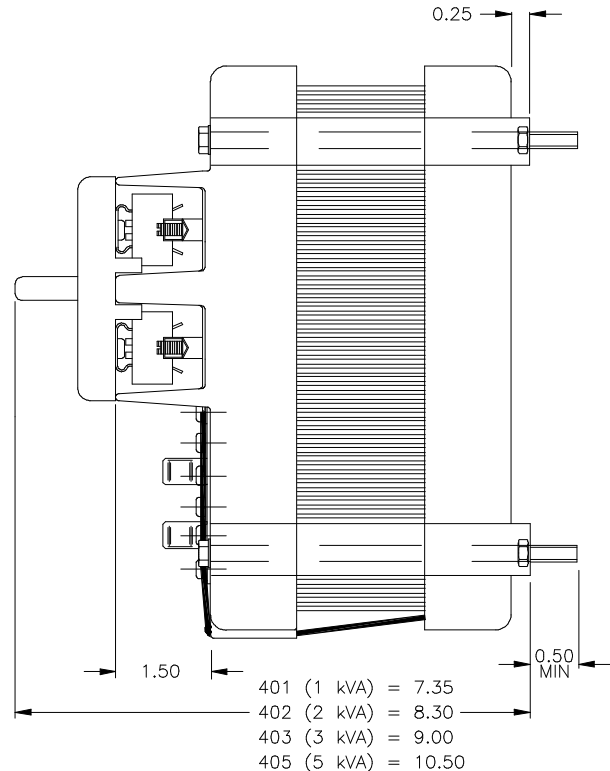
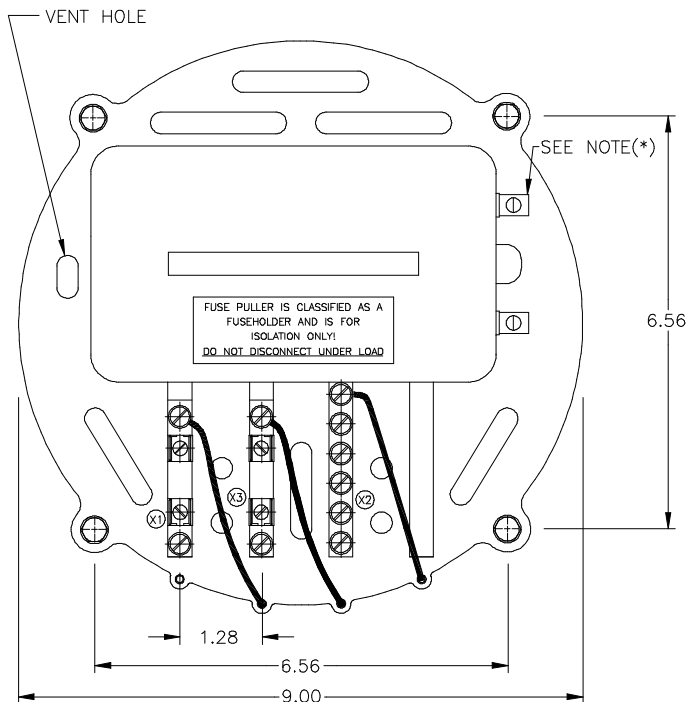
PRI L-L VOLTS (H1-H2)	1 kVA — MODEL 401		
	CATALOG NUMBER	RATED AMPS	FUSE
600	401-600-6	1.67	RK-5, 5A 600 VOLT TYPE FRS-R
480	401-480-6	2.08	RK-5, 5A 600 VOLT TYPE FRS-R
240	401-240-6	4.17	RK-5, 10A 600 VOLT TYPE FRS-R
208	401-208-6	4.81	RK-5, 12A 600 VOLT TYPE FRS-R
SEC: X1 & X3		4.17	6 AMP MAX

PRI L-L VOLTS (H1-H2)	2kVA — MODEL 402		
	CATALOG NUMBER	RATED AMPS	FUSE
600	402-600-6	3.33	RK-5, 8A 600 VOLT TYPE FRS-R
480	402-480-6	4.17	RK-5, 10A 600 VOLT TYPE FRS-R
240	402-240-6	8.33	RK-5, 20A 600 VOLT TYPE FRS-R
208	402-208-6	9.62	RK-5, 20A 600 VOLT TYPE FRS-R
SEC: X1 & X3		8.33	12 AMP MAX

PRI L-L VOLTS (H1-H2)	3 kVA — MODEL 403		
	CATALOG NUMBER	RATED AMPS	FUSE
600	403-600-6	5.00	RK-5, 12A 600 VOLT TYPE FRS-R
480	403-480-6	6.25	RK-5, 15A 600 VOLT TYPE FRS-R
240	403-240-6	12.50	RK-5, 30A 600 VOLT TYPE FRS-R
208	403-208-6	14.42	RK-5, 30A 600 VOLT TYPE FRS-R
SEC: X1 & X3		12.50	20 AMP MAX

PRI L-L VOLTS (H1-H2)	5 kVA — MODEL 405		
	CATALOG NUMBER	RATED AMPS	FUSE
600	405-600-6	8.33	RK-5, 20A 600 VOLT TYPE FRS-R
480	405-480-6	10.42	RK-5, 25A 600 VOLT TYPE FRS-R
240	405-240-6	20.83	RK-5, 50A 250 VOLT TYPE FRN-R
208	405-208-6	24.04	RK-5, 60A 250 VOLT TYPE FRN-R
SEC: X1 & X3		20.83	30 AMP MAX

405-240 & 405-208 PRIMARY FUSES ARE 250 VOLT (BUSSMANN: TYPE FRN-R, 13/16 x 3 INCHES.)
 401-600 THRU 405-480 PRIMARY FUSES ARE 600 VOLT (BUSSMANN: TYPE FRS-R, 13/16 x 5 INCHES.)
 SECONDARY FUSE RATINGS LISTED ABOVE — USE BUSSMANN TYPE FNQ, TIME DELAY FUSES.



USA, Canada, Asia, Latin America

Tel: +1-800-547-8629

Fax: +1-905-201-2455

e-mail: sales.multilin@ge.com

Europe, Middle East, Africa

Tel: +34-94-485-88-00

Fax: +34-94-485-88-45

e-mail: gmultilin.euro@ge.com