

# Model 793MR

**Current Transformer with Multi-Ratio  
Window Diameter 4.00"**

## Application

Relaying.

## Frequency

50-400 Hz.

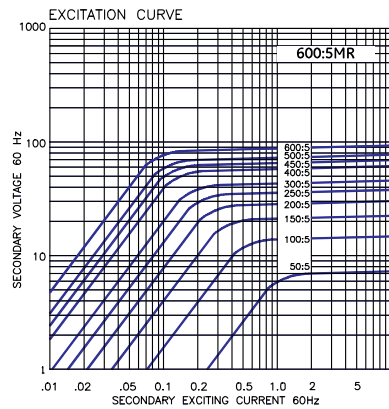
## Insulation Level

0.6 kV, BIL 10 kV full wave.

## Continuous Thermal Current Rating Factor

Secondary terminals are brass screws  
No. 10-32 with one flatwasher,  
lockwasher.

Approximate weight 20 lbs.



Model 793-601MR  
TRF=2.0 @ 30°C

## Model 793MR

Ratio	Tap
50:5	X2-X3
100:5	X1-X2
150:5	X1-X3
200:5	X4-X5
250:5	X3-X4
300:5	X2-X4
400:5	X1-X4
450:5	X3-X5
500:5	X2-X5
600:5	X1-X5

Ratio	DCR Ω @ 75°C
50:5	0.021
100:5	0.043
150:5	0.064
200:5	0.085
250:5	0.107
300:5	0.128
400:5	0.171
450:5	0.192
500:5	0.213
600:5	0.256

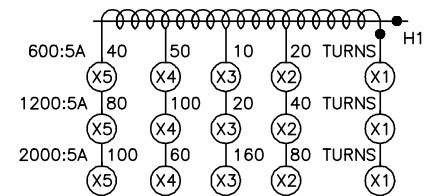
### REGULATORY AGENCY APPROVALS



Manufactured to meet the requirements of ANSI/IEEE C57.13.  
Classified by U.L. in accordance with IEC 44-1

## Model 793MR

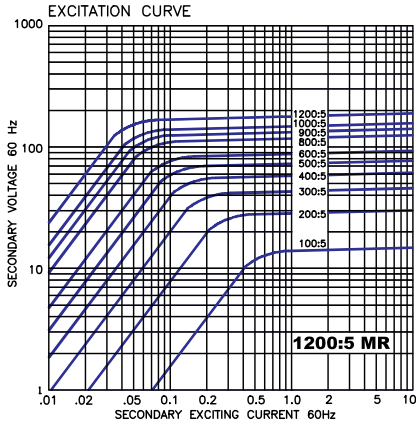
Catalog Number	Relay Class
793-601MR	C50
793-122MR	C100
793-202MR	C100



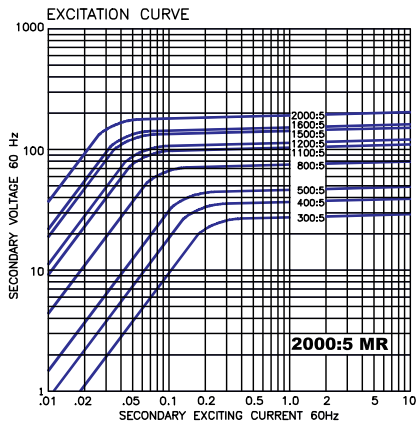
CONNECTION DIAGRAM



# Model 793MR



Model 793-122MR  
TRF=1.0 @ 30°C



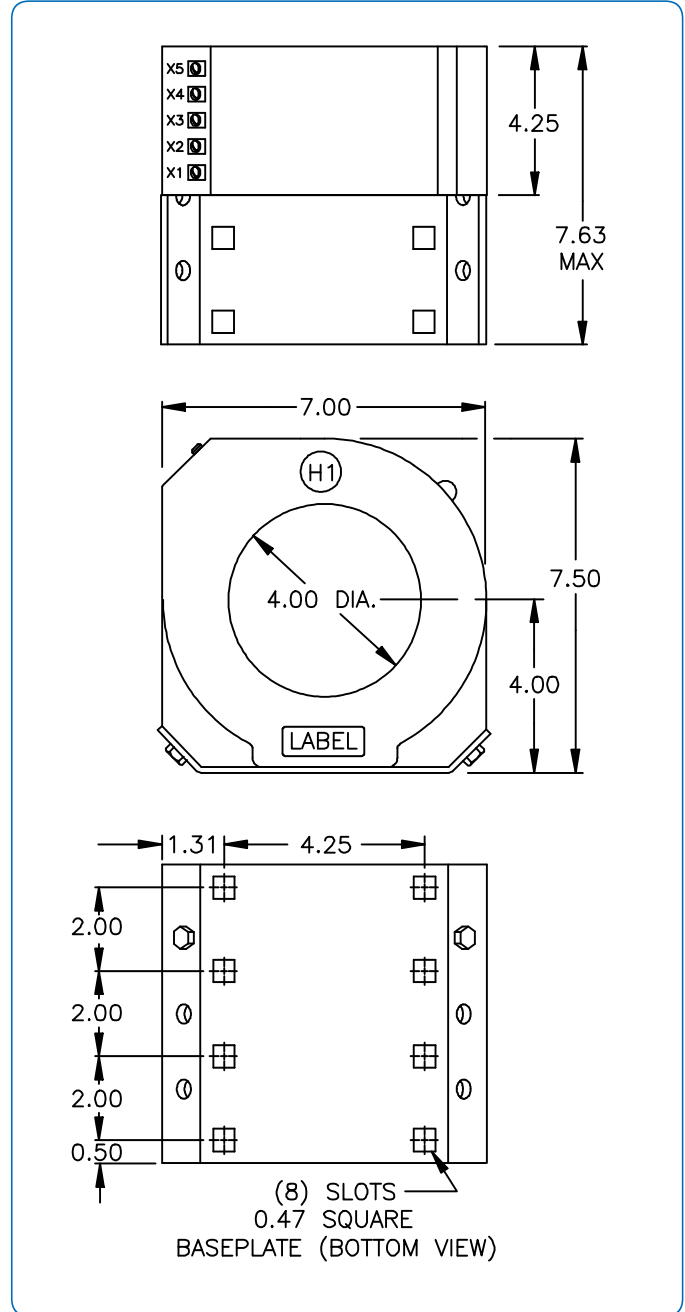
Model 793-202MR  
TRF=1.0 @ 30°C

## Model 793MR

Ratio	Tap
100:5	X2-X3
200:5	X1-X2
300:5	X1-X3
400:5	X4-X5
500:5	X3-X4
600:5	X2-X4
800:5	X1-X4
900:5	X3-X5
1000:5	X2-X5
1200:5	X1-X5
Ratio	DCR Ω @ 75°C
100:5	0.085
200:5	0.170
300:5	0.255
400:5	0.34
500:5	0.425
600:5	0.510
800:5	0.680
900:5	0.764
1000:5	0.849
1200:5	1.019

## Model 793MR

Ratio	Tap
300:5	X3-X4
400:5	X1-X2
500:5	X4-X5
800:5	X2-X3
1100:5	X2-X4
1200:5	X1-X3
1500:5	X1-X4
1600:5	X2-X5
2000:5	X1-X5
Ratio	DCR Ω @ 75°C
300:5	0.149
400:5	0.198
500:5	0.248
800:5	0.396
1100:5	0.545
1200:5	0.594
1500:5	0.743
1600:5	0.792
2000:5	0.99



## GEGridSolutions.com

Grid-AIS-L4-ITL\_Model\_793MR-1372-2017\_06-EN. General Electric Company and Instrument Transformers LLC reserve the right to change specifications of described products at any time without notice and without obligation to notify any person of such changes.

### Worldwide Contact Center

Web: [www.GEGridSolutions.com/contact](http://www.GEGridSolutions.com/contact)  
 Phone: +44 (0) 1785 250 070  
 USA and Canada: +1 (0) 800 547 8629  
 Europe, Middle East and Africa: +34 (0) 94 485 88 00

