

Model 625

Current Transformer Window Diameter 6.50"

Application

Relaying and metering.

Frequency

50-400 Hz.

Insulation Level

600 Volts, 10 kV BIL full wave.

Continuous Thermal Current Rating Factor

50:5-3200:5: 1.33 at 30°C. amb., 1.0 at 55°C. amb.

4000:5: 1.0 at 30°C. amb., 0.9 at 55°C. amb.

5000:5: 1.0 at 30°C. amb., 0.7 at 55°C. amb.

Secondary terminals are brass screws No. 10-32 with one flatwasher, lockwasher, accessible from either side.

Multi-ratios available on request.
Consult Factory

Approximate weight 51 lbs



REGULATORY AGENCY APPROVALS



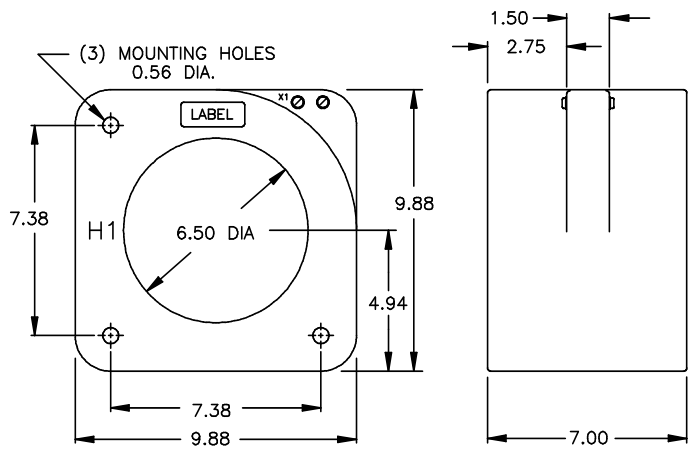
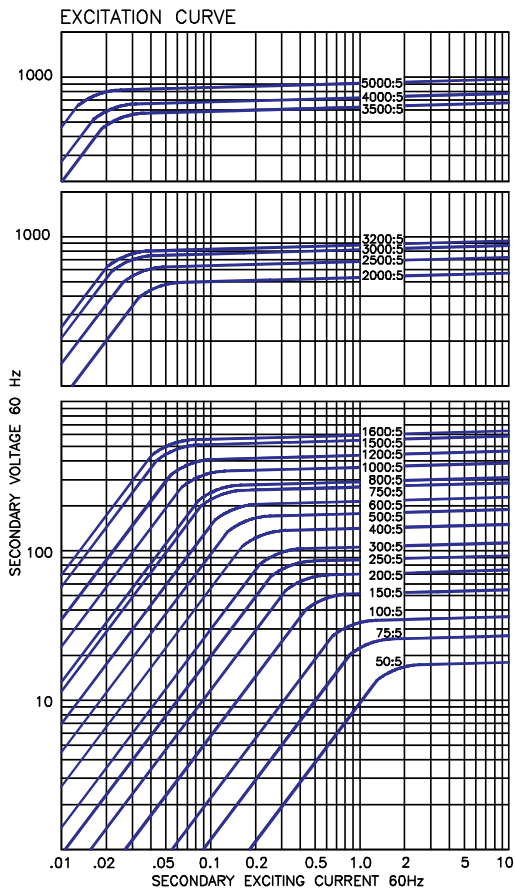
Manufactured to meet the requirements of ANSI/IEEE C57.13.
Classified by U.L. in accordance with IEC 44-1

Model 625

| Catalog Number | Current Ratio | Relay Class | ANSI Metering Class at 60 HZ | | | | | Secondary Winding Resistance (Ω @ 75°C) |
|----------------|---------------|-------------|------------------------------|------|------|------|------|---|
| | | | B0.1 | B0.2 | B0.5 | B0.9 | B1.8 | |
| 625-500 | 50:5 | C10 | 4.8 | 4.8 | — | — | — | 0.029 |
| 625-750 | 75:5 | C20 | 2.4 | 2.4 | 4.8 | — | — | 0.044 |
| 625-101 | 100:5 | C20 | 1.2 | 2.4 | 4.8 | 4.8 | — | 0.058 |
| 625-151 | 150:5 | C50 | 0.6 | 1.2 | 2.4 | 2.4 | 4.8 | 0.090 |
| 625-201 | 200:5 | C50 | 0.3 | 0.6 | 1.2 | 1.2 | 2.4 | 0.119 |
| 625-251 | 250:5 | C50 | 0.3 | 0.3 | 0.6 | 1.2 | 1.2 | 0.149 |
| 625-301 | 300:5 | C100 | 0.3 | 0.3 | 0.6 | 0.6 | 2.4 | 0.179 |
| 625-401 | 400:5 | C100 | 0.3 | 0.3 | 0.3 | 0.6 | 0.6 | 0.239 |
| 625-501 | 500:5 | C100 | 0.3 | 0.3 | 0.3 | 0.3 | 0.6 | 0.299 |
| 625-601 | 600:5 | C200 | 0.3 | 0.3 | 0.3 | 0.3 | 0.6 | 0.358 |
| 625-751 | 750:5 | C200 | 0.3 | 0.3 | 0.3 | 0.3 | 0.3 | 0.448 |
| 625-801 | 800:5 | C200 | 0.3 | 0.3 | 0.3 | 0.3 | 0.3 | 0.478 |
| 625-102 | 1000:5 | C200 | 0.3 | 0.3 | 0.3 | 0.3 | 0.3 | 0.597 |
| 625-122 | 1200:5 | C400 | 0.3 | 0.3 | 0.3 | 0.3 | 0.3 | 0.717 |
| 625-152 | 1500:5 | C400 | 0.3 | 0.3 | 0.3 | 0.3 | 0.3 | 1.128 |
| 625-162 | 1600:5 | C400 | 0.3 | 0.3 | 0.3 | 0.3 | 0.3 | 1.203 |
| 625-202 | 2000:5 | C400 | 0.3 | 0.3 | 0.3 | 0.3 | 0.3 | 1.144 |
| 625-252 | 2500:5 | C400 | 0.3 | 0.3 | 0.3 | 0.3 | 0.3 | 1.429 |
| 625-302 | 3000:5 | C400 | 0.3 | 0.3 | 0.3 | 0.3 | 0.3 | 1.715 |
| 625-322 | 3200:5 | C400 | 0.3 | 0.3 | 0.3 | 0.3 | 0.3 | 2.3 |
| 625-352 | 3500:5 | C400 | 0.3 | 0.3 | 0.3 | 0.3 | 0.3 | 1.912 |
| 625-402 | 4000:5 | C400 | 0.3 | 0.3 | 0.3 | 0.3 | 0.3 | 2.185 |
| 624-502 | 5000:5 | C400 | 0.3 | 0.3 | 0.3 | 0.3 | 0.3 | 3.428 |



Model 625



GEGridSolutions.com

Grid-AIS-L4-ITL_Model_625-1356-2017_06-EN. © Copyright 2017. General Electric Company and Instrument Transformers LLC reserve the right to change specifications of described products at any time without notice and without obligation to notify any person of such changes.

Worldwide Contact Center

Web: www.GEGridSolutions.com/contact

Phone: +44 (0) 1785 250 070

USA and Canada: +1 (0) 800 547 8629

Europe, Middle East and Africa: +34 (0) 94 485 88 00

