

# GE

## Energy Connections

# Model 590

**Current Transformer**  
**Window Size 4.28"x 11.28"**

### Application

Relaying.

### Frequency

50-400 Hz.

### Insulation Level

600 Volts, 10 kV BIL full wave.

### Continuous Thermal Current Rating Factor

2.0 at 30 °C. amb.,  
 2.0 at 55 °C. amb.

Terminals are brass screws No. 10-32 with one flatwasher and lockwasher accessible from both sides.

Approximate weight 70 lbs.

Excitation data available upon request.



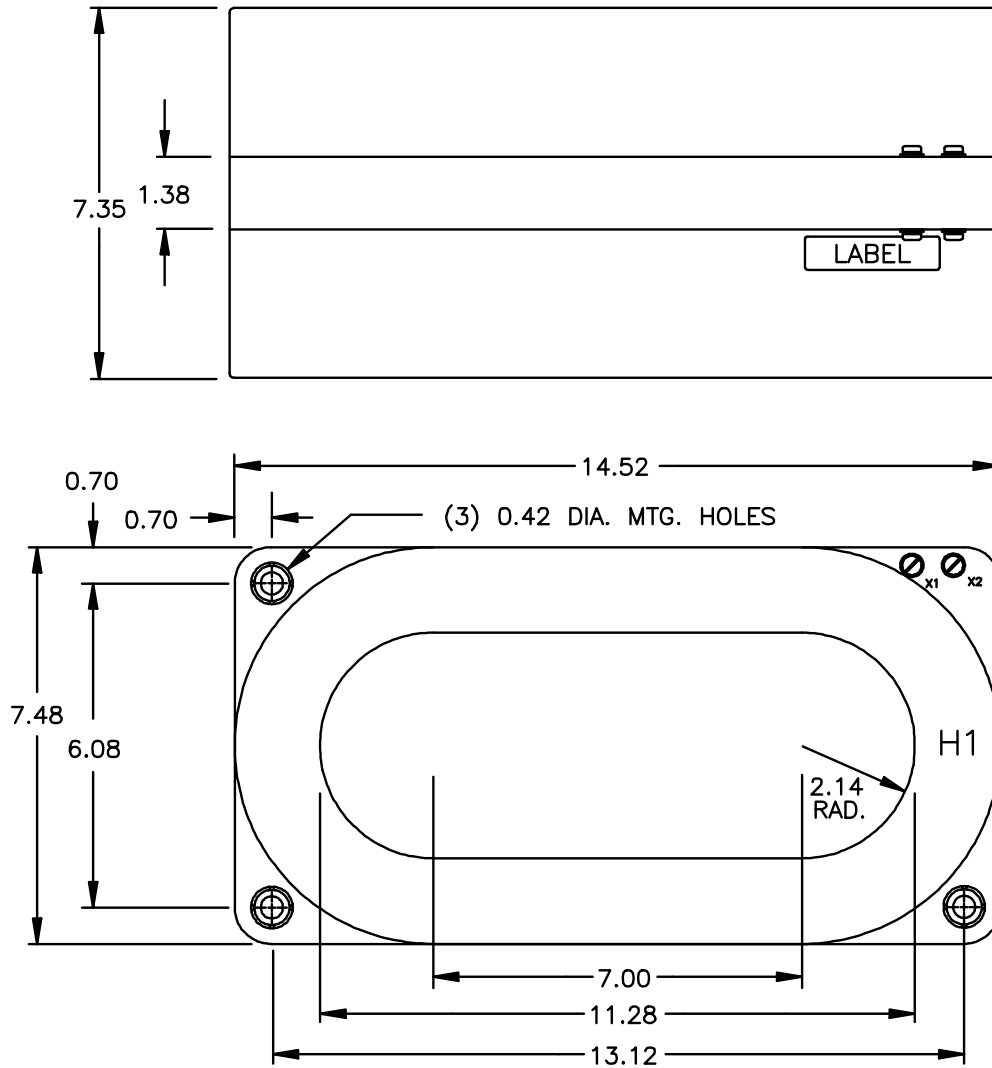
REGULATORY AGENCY APPROVALS  
 E93779  LR89403  
 Manufactured to meet the requirements of ANSI/IEEE C57.13.  
 Classified by U.L. in accordance with IEC 44-1

### Model 590

Catalog Number	Current Ratio	Relay Class
590-500	50:5	C15
590-750	75:5	C25
590-101	100:5	C35
590-151	150:5	C50
590-201	200:5	C70
590-301	300:5	C100
590-401	400:5	C150
590-501	500:5	C180



Model 590



[GEGridSolutions.com](http://GEGridSolutions.com)

Grid-AIS-L4-ITL\_Model\_590-1346-2017\_06-EN. © Copyright 2017. General Electric Company and Instrument Transformers LLC reserve the right to change specifications of described products at any time without notice and without obligation to notify any person of such changes.

**Worldwide Contact Center**

Web: [www.GEGridSolutions.com/contact](http://www.GEGridSolutions.com/contact)

Phone: +44 (0) 1785 250 070

USA and Canada: +1 (0) 800 547 8629

Europe, Middle East and Africa: +34 (0) 94 485 88 00

