

Model 188

Current Transformer Auxiliary Transformer

Application

For use in the secondary of current transformers to change ratio for metering applications.

Frequency

50-400 Hz.

Insulation Level

600 Volt, 10 kV BIL full wave.

Continuous Thermal Current Rating Factor

1.5 at 30 °C. amb., 1.0 at 55 °C. amb.

Terminals are No. 10-32 brass binding headscrews.

Approximate weight 10 lbs.



Model 188

Catalog Number	Current Ratio
188X0100 *	5:0.1
188X0200 *	5:0.2
188X0250 *	5:0.25
188X0500	5:0.5
188X0625	5:0.625
188X1000	5:1
188X1250	5:1.25
188X1667	5:1.667
188X2000	5:2
188X2395	5:2.395
188X2500	5:2.5
188X2890	5:2.89
188X3000	5:3
188X3330	5:3.33
188X3750	5:3.75
188X4000	5:4
188X5000	5:5
188X5330	5:5.33

Catalog Number	Current Ratio
188X6250	5:6.25
188X7500	5:7.5
188X8000	5:8
188X10000	5:10
188X12500	5:12.5
188X15000 *	5:15
188X1500-5	1.5:5
188X1667-5	1.667:5
188X2500-5	2.5:5
188X2875-5	2.875:5
188X7500-5	7.5:5
188X10000-5	10:5
188X0500-1	0.5:1
188X0923-1	0.923:1
188X0400-10	0.4:10
188XSUM-2 **	5+5:5
188XSUM-4 **	5+5+5:5
188XSUM-5 **	5+5+5+5:5

** The circuits of up to six secondaries may be totalized. Equal or unequal line current transformers can be summed with this transformer. Advise the ratios of the line current transformers to be totalized for unequal ratios. Output terminals are X1-X2.

REGULATORY AGENCY APPROVALS

 E93779  LR89403
Manufactured to meet the requirements of ANSI/IEEE C57.13.
Classified by U.L. in accordance with IEC 44-1



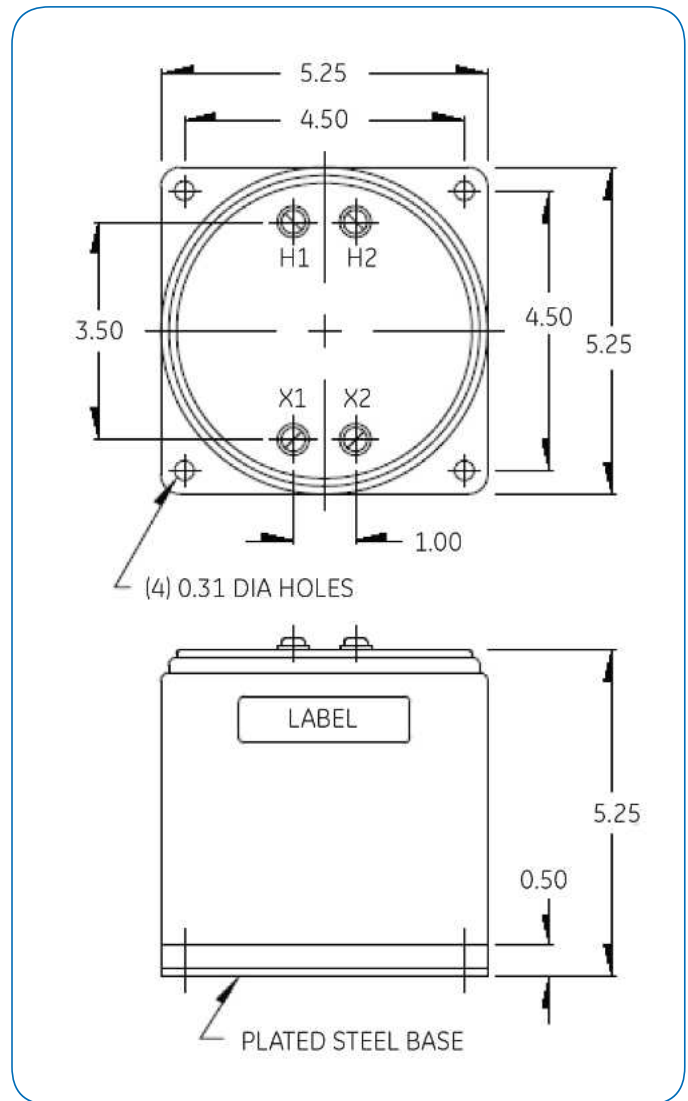
Model 188 Auxiliary Transformer

ANSI Metering Class: 0.3 B0.2

* Exception: These ratios have no accuracy ratings.

The Model 188 is a low ratio auxiliary current transformer, suitable for primary currents up to 15 amperes. The table on the previous page lists the most common current ratings. The transformer core and coil are encapsulated in a polyurethane resin, which also secures the steel mounting base.

Since the Model 188 is used in the secondary of another transformer it has no voltage rating. It is given a 2500 volt 60 Hz high potential test. It is designed to be used on circuits not to exceed 600 volts to ground or between windings.



GEGridSolutions.com

Grid-AIS-L4-ITL_Model_188-1268-2017_05-EN. © Copyright 2017. General Electric Company and Instrument Transformers LLC reserve the right to change specifications of described products at any time without notice and without obligation to notify any person of such changes.

Worldwide Contact Center

Web: www.GEGridSolutions.com/contact

Phone: +44 (0) 1785 250 070

USA and Canada: +1 (0) 800 547 8629

Europe, Middle East and Africa: +34 (0) 94 485 88 00

