

Fibox PICCOLO

PICCOLO enclosures are designed to house push buttons, terminal blocks, motor starters and electronic devices. They are also ideal for mounting and protecting process control sensors and switches. The PICCOLO range is available in polycarbonate and ABS.



PICCOLO



Excellent surface finish



Designed for push-buttons



RoHS compliant and halogen-free

PICCOLO PC/ABS B

4.3 x 3.1

PC: UL Type 1, 4, 4X, 6, 12 and 13
ABS: NEMA 1, 4, 4X, 6, 12 and 13

Including: Base with hardware screws for accessory mounting, cover with PUR gasket and polyamide cover screws.

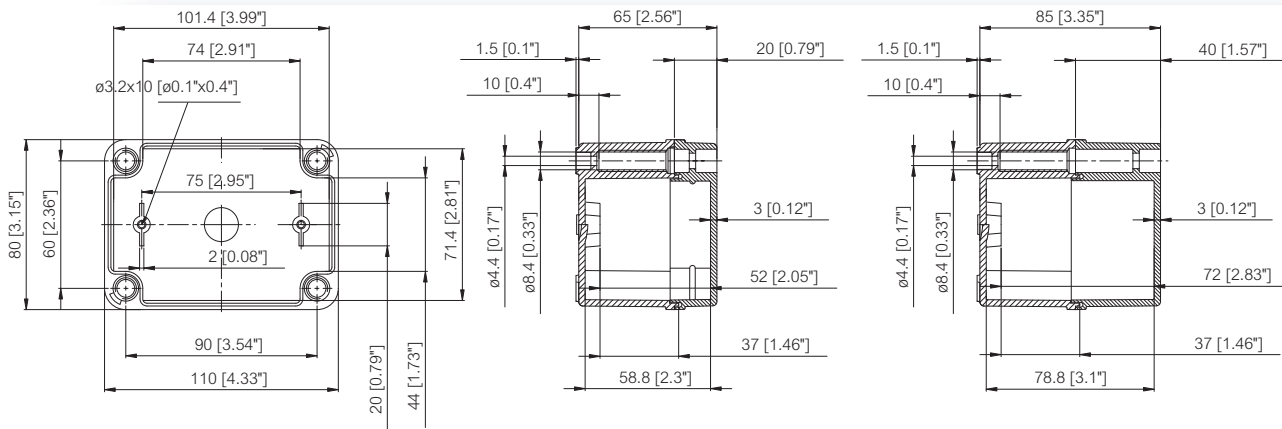


Enclosures

Order symbol	UL Order symbol	Dimensions inch	Dimensions mm	Description
PC B 65 G	UL PC B 65 G	4.3 x 3.1 x 2.6	110 x 80 x 65	Enclosure, PC ▪ Opaque cover
PC B 85 G	UL PC B 85 G	4.3 x 3.1 x 3.3	110 x 80 x 85	Enclosure, PC ▪ Opaque cover
PC B 65 T	UL PC B 65 T	4.3 x 3.1 x 2.6	110 x 80 x 65	Enclosure, PC ▪ Transparent cover
PC B 85 T	UL PC B 85 T	4.3 x 3.1 x 3.3	110 x 80 x 85	Enclosure, PC ▪ Transparent cover
ABS B 65 G		4.3 x 3.1 x 2.6	110 x 80 x 65	Enclosure, ABS ▪ Opaque cover
ABS B 85 G		4.3 x 3.1 x 3.3	110 x 80 x 85	Enclosure, ABS ▪ Opaque cover

Accessories

Order symbol	Dimensions inch	Dimensions mm	Description
B-MP	3.1 x 2.1	80 x 54	Back Panel
B-3	1.4 x 3.1	35 x 80	DIN-35 Mounting rail
FP 22040			Mounting foot kit (2 pcs) ▪ incl. screws





PICCOLO PC/ABS C

5.5 x 3.1

PC: UL Type 1, 4, 4X, 6, 12 and 13
ABS: NEMA 1, 4, 4X, 6, 12 and 13

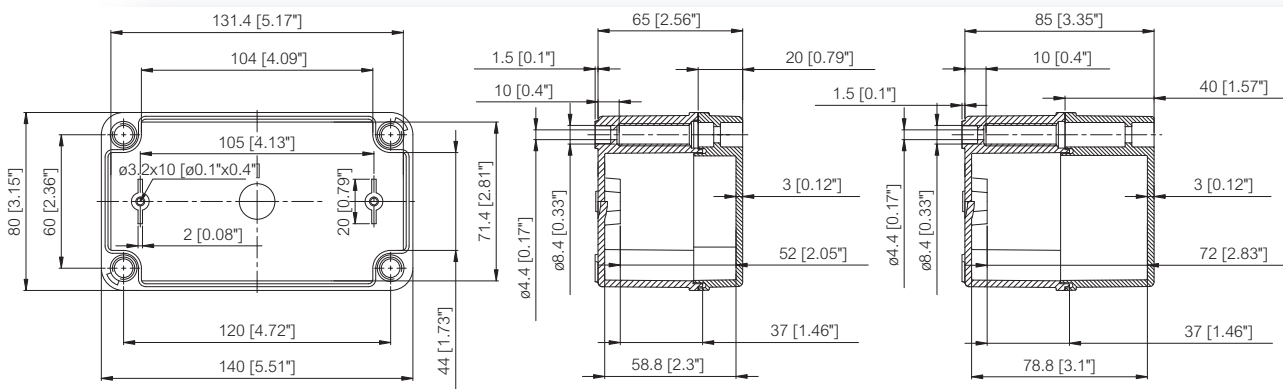
Including: Base with hardware screws for accessory mounting, cover with PUR gasket and polyamide cover screws.

Enclosures

Order symbol	UL Order symbol	Dimensions inch	Dimensions mm	Description
PC C 65 G	UL PC C 65 G	5.5 x 3.1 x 2.6	140 x 80 x 65	Enclosure, PC • Opaque cover
PC C 85 G	UL PC C 85 G	5.5 x 3.1 x 3.3	140 x 80 x 85	Enclosure, PC • Opaque cover
PC C 65 T	UL PC C 65 T	5.5 x 3.1 x 2.6	140 x 80 x 65	Enclosure, PC • Transparent cover
PC C 85 T	UL PC C 85 T	5.5 x 3.1 x 3.3	140 x 80 x 85	Enclosure, PC • Transparent cover
ABS C 65 G		5.5 x 3.1 x 2.6	140 x 80 x 65	Enclosure, ABS • Opaque cover
ABS C 85 G		5.5 x 3.1 x 3.3	140 x 80 x 85	Enclosure, ABS • Opaque cover

Accessories

Order symbol	Dimensions inch	Dimensions mm	Description
C-MP	4.3 x 2.1	110 x 54	Back Panel
CHM-3	1.4 x 4.3	35 x 110	DIN-35 Mounting rail
FP 22040			Mounting foot kit (2 pcs) • incl. screws



PICCOLO PC/ABS D

6.7 x 3.1

PC: UL Type 1, 4, 4X, 6, 12 and 13
ABS: NEMA 1, 4, 4X, 6, 12 and 13

Including: Base with hardware screws for accessory mounting, cover with PUR gasket and polyamide cover screws.

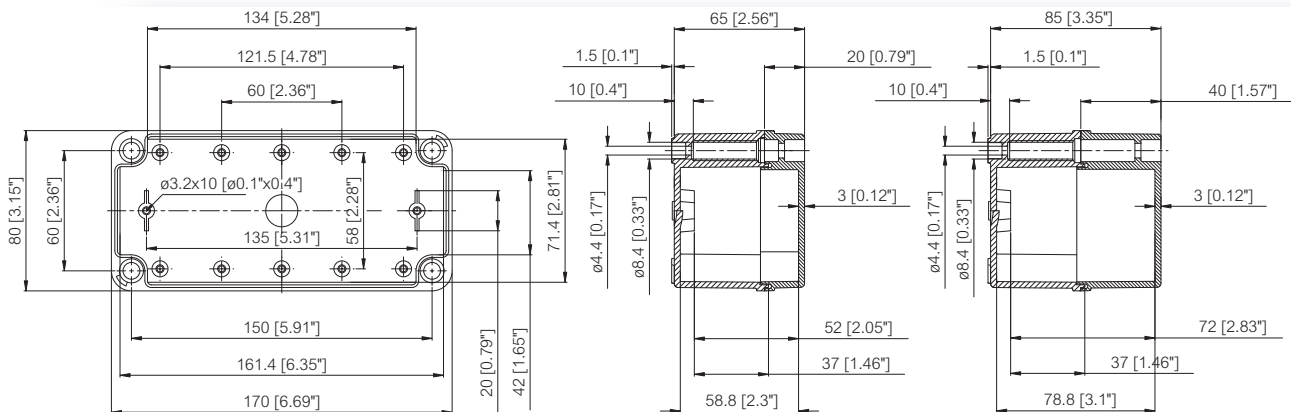


Enclosures

Order symbol	UL Order symbol	Dimensions inch	Dimensions mm	Description
PC D 65 G	UL PC D 65 G	6.7 x 3.1 x 2.6	170 x 80 x 65	Enclosure, PC ▪ Opaque cover
PC D 85 G	UL PC D 85 G	6.7 x 3.1 x 3.3	170 x 80 x 85	Enclosure, PC ▪ Opaque cover
PC D 65 T	UL PC D 65 T	6.7 x 3.1 x 2.6	170 x 80 x 65	Enclosure, PC ▪ Transparent cover
PC D 85 T	UL PC D 85 T	6.7 x 3.1 x 3.3	170 x 80 x 85	Enclosure, PC ▪ Transparent cover
ABS D 65 G		6.7 x 3.1 x 2.6	170 x 80 x 65	Enclosure, ABS ▪ Opaque cover
ABS D 85 G		6.7 x 3.1 x 3.3	170 x 80 x 85	Enclosure, ABS ▪ Opaque cover

Accessories

Order symbol	Dimensions inch	Dimensions mm	Description
D-MP	5.5 x 2.1	140 x 54	Back Panel
DH-3	1.4 x 5.5	35 x 140	DIN-35 Mounting rail
FP 22040			Mounting foot kit (2 pcs) ▪ incl. screws





PICCOLO PC/ABS F

9.1 x 3.1

PC: UL Type 1, 4, 4X, 6, 12 and 13
ABS: NEMA 1, 4, 4X, 6, 12 and 13

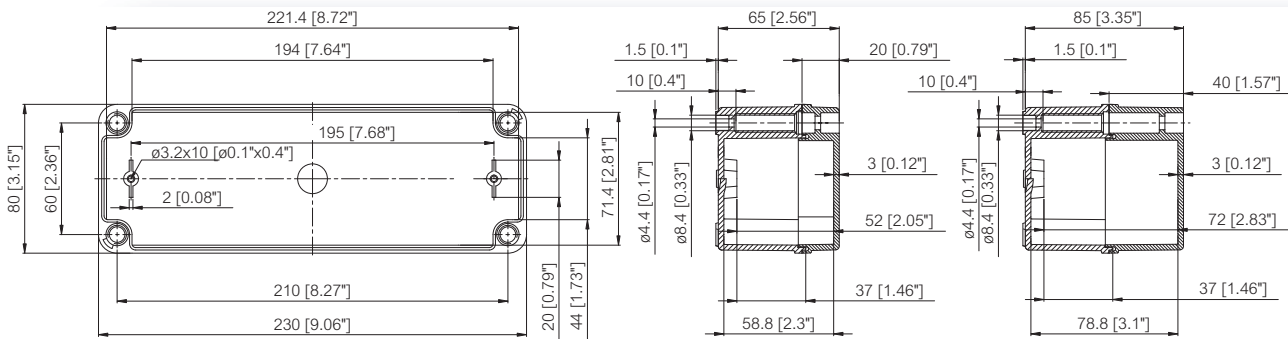
Including: Base with hardware screws for accessory mounting, cover with PUR gasket and polyamide cover screws.

Enclosures

Order symbol	UL Order symbol	Dimensions inch	Dimensions mm	Description
PC F 65 G	UL PC F 65 G	9.1 x 3.1 x 2.6	230 x 80 x 65	Enclosure, PC • Opaque cover
PC F 85 G	UL PC F 85 G	9.1 x 3.1 x 3.3	230 x 80 x 85	Enclosure, PC • Opaque cover
PC F 65 T	UL PC F 65 T	9.1 x 3.1 x 2.6	230 x 80 x 65	Enclosure, PC • Transparent cover
PC F 85 T	UL PC F 85 T	9.1 x 3.1 x 3.3	230 x 80 x 85	Enclosure, PC • Transparent cover
ABS F 65 G		9.1 x 3.1 x 2.6	230 x 80 x 65	Enclosure, ABS • Opaque cover
ABS F 85 G		9.1 x 3.1 x 3.3	230 x 80 x 85	Enclosure, ABS • Opaque cover

Accessories

Order symbol	Dimensions inch	Dimensions mm	Description
F-MP	7.9 x 2.1	200 x 54	Back Panel
FM-3	1.4 x 7.9	35 x 200	DIN-35 Mounting rail
FP 22040			Mounting foot kit (2 pcs) • incl. screws



PICCOLO PC/ABS H

6.7 x 5.5

PC: UL Type 1, 4, 4X, 6, 12 and 13
ABS: NEMA 1, 4, 4X, 6, 12 and 13

Including: Base with hardware screws for accessory mounting, cover with PUR gasket and polyamide cover screws.

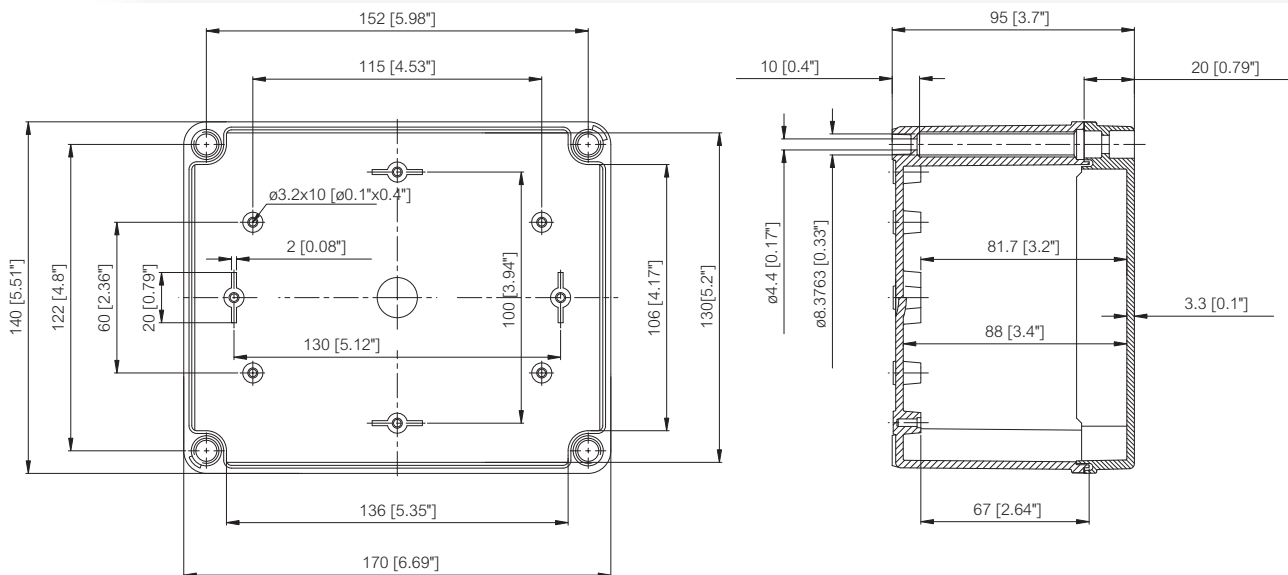


Enclosures

Order symbol	UL Order symbol	Dimensions inch	Dimensions mm	Description
PC H 95 G	UL PC H 95 G	6.7 x 5.5 x 3.7	170 x 140 x 95	Enclosure, PC ▪ Opaque cover
PC H 95 T	UL PC H 95 T	6.7 x 5.5 x 3.7	170 x 140 x 95	Enclosure, PC ▪ Transparent cover
ABS H 95 G		6.7 x 5.5 x 3.7	170 x 140 x 95	Enclosure, ABS ▪ Opaque cover

Accessories

Order symbol	Dimensions inch	Dimensions mm	Description
H-MP	4.9 x 3.7	125 x 94	Back Panel
CHM-3	1.4 x 4.3	35 x 110	DIN-35 Mounting rail
DH-3	1.4 x 5.5	35 x 140	DIN-35 Mounting rail
FP 22046			Mounting foot kit (4 pcs) ▪ incl. screws





PICCOLO PC/ABS M

9.1 x 5.5

PC: UL Type 1, 4, 4X, 6, 12 and 13
ABS: NEMA 1, 4, 4X, 6, 12 and 13

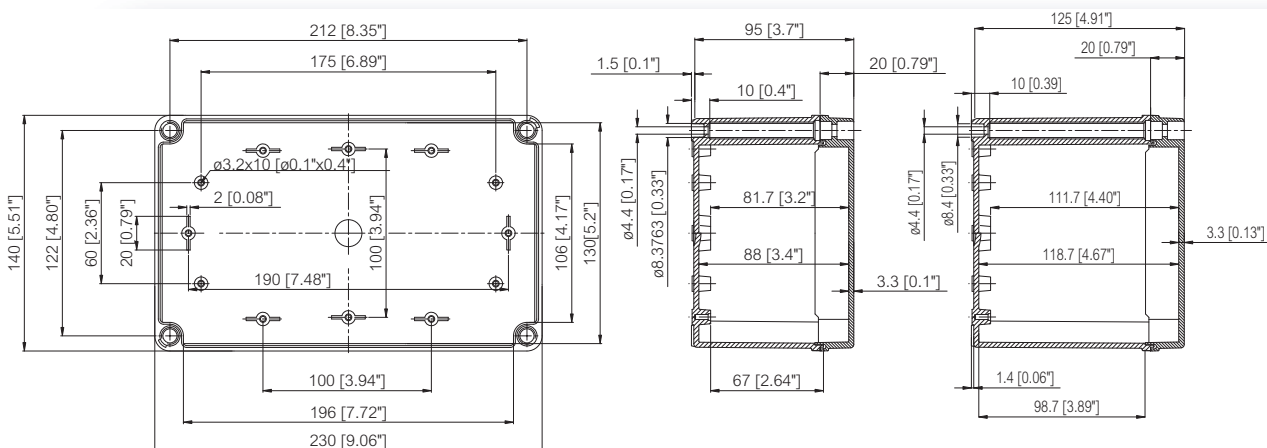
Including: Base with hardware screws for accessory mounting, cover with PUR gasket and polyamide cover screws.

Enclosures

Order symbol	UL Order symbol	Dimensions inch	Dimensions mm	Description
PC M 95 G	UL PC M 95 G	9.1 x 5.5 x 3.7	230 x 140 x 95	Enclosure, PC • Opaque cover
PC MH 125 G	UL PC MH 125 G	9.1 x 5.5 x 4.9	230 x 140 x 125	Enclosure, PC • Opaque cover
PC M 95 T	UL PC M 95 T	9.1 x 5.5 x 3.7	230 x 140 x 95	Enclosure, PC • Transparent cover
PC MH 125 T	UL PC MH 125 T	9.1 x 5.5 x 4.9	230 x 140 x 125	Enclosure, PC • Transparent cover
ABS M 95 G		9.1 x 5.5 x 3.7	230 x 140 x 95	Enclosure, ABS • Opaque cover
ABS MH 125 G		9.1 x 5.5 x 4.9	230 x 140 x 125	Enclosure, ABS • Opaque cover

Accessories

Order symbol	Dimensions inch	Dimensions mm	Description
M-MP	7.3 x 3.7	185 x 94	Back Panel
CHM-3	1.4 x 4.3	35 x 110	DIN-35 Mounting rail
FM-3	1.4 x 7.9	35 x 200	DIN-35 Mounting rail
FP 22046			Mounting foot kit (4 pcs) • incl. screws



ACCESSORIES

Order symbol Description

Back Panels (Galvanized steel, sheet thickness 1,5 mm)

B-MP	3.1 x 2.1 inch ▪ 80 x 54 mm
C-MP	4.3 x 2.1 inch ▪ 110 x 54 mm
D-MP	5.5 x 2.1 inch ▪ 140 x 54 mm
F-MP	7.9 x 2.1 inch ▪ 200 x 54 mm
H-MP	4.9 x 3.7 inch ▪ 125 x 94 mm
M-MP	7.3 x 3.7 inch ▪ 185 x 94 mm

DIN-35 Mounting rails (Galvanized steel, rail height 7,5 mm)

B-3	1.4 x 3.1 inch ▪ 35 x 80 mm
CHM-3	1.4 x 4.3 inch ▪ 35 x 110 mm
DH-3	1.4 x 5.5 inch ▪ 35 x 140 mm
FM-3	1.4 x 7.9 inch ▪ 35 x 200 mm

Hinges and wall mounting

TH A	Gray plastic hinges (2 pcs) ▪ incl. mounting screws
FP 22040	Mounting foot kit (2 pcs) ▪ incl. screws
FP 22046	Mounting foot kit (4 pcs) ▪ incl. screws

Cover and mounting screws

S-20	Cover screw, gray, polyamide ▪ for 20mm cover
S-40	Cover screw, gray, polyamide ▪ for 40mm cover
MB S-20KN	Screw kit ▪ incl. 4x S-20 + 4x KN 3.9x9.5
MB S-40KN	Screw kit ▪ incl. 4x S-40 + 4x KN 3.9x9.5
KN 3.9x9.5	Mounting screw



PICCOLO technical information

Property	Polycarbonate (PC)	ABS
Ingress Protection (EN 60529)	IP 66/IP 67	IP 66/IP 67
Impact Resistance (EN 62262)	IK 08	IK 07
Temperature Range Celsius	-40°...120°C	-40°...80°C
(short term) Fahrenheit	-40°...250°F	-40°...175°F
Temperature Range Celsius	-40°...80°C	-40°...60°C
(continuous) Fahrenheit	-40°...175°F	-40°...140°F
Electrical Insulation	Totally insulated ☐	Totally insulated ☐
Light Gray Parts Color	RAL 7035 Industry Gray	RAL 7035 Industry Gray
Transparent Clear PC Cover	Clear transparent	
Cover Screws	RAL 7035	RAL 7035
Cover Screws	Polyamide (PA)	Polyamide (PA)
Gasket	PUR	PUR
Enclosure Flammability Rating	Complies with UL 508	UL 94HB
Glow Wire Test (IEC 695-2-1)	960°C	650°C
Self-extinguishing (PC)		
Non-toxicity	Halogen Free	Halogen Free
UV resistance	Complies with UL 508	
Chemical Resistance *	Good	Good

Conformity to standards

USA Enclosures for Electrical Equipment
PC: UL Type 1, 4, 4X, 6,12 and 13; UL File E75645
ABS: NEMA 1, 4, 4X, 6,12 and 13

Canada Industrial Control Equipment
Enclosures for Electrical Equipment/cUL

Europe Empty enclosures for low-voltage switchgear and
controlgear assemblies EN 62208:2003 (50298:1998)

Europe Safety of Information Technology Equipment
EN 60950
RoHS directive 2002/95/EC

Russia GostR - Gost Russian certificate of conformity

Data subject to change without notice.

*Consult separate raw material data for more detailed information