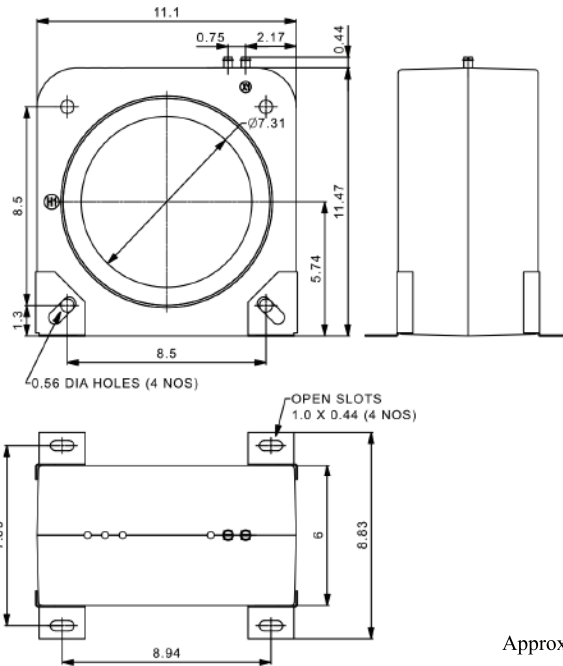
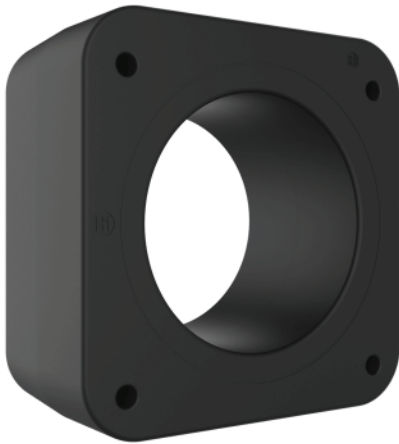


ANSI Current Transformer Series



143 Series

143



Approx. Weight: 60lbs

ALL DIMENSIONS ARE IN INCHES

Current Ratio	Relay Class	ANSI METERING CLASS @ 60HZ					SECONDARY WINDING RESISTANCE (OHMS @ 75 °C)	Cont. Thermal RF	
		B0.1	B0.2	B0.5	B0.9	B1.8		@30 °C	@55 °C
50:5	C20	4.8	4.8	-	-	-	0.014	2.0	2.0
75:5	C20	2.4	2.4	-	-	-	0.042	2.0	2.0
100:5	C20	1.2	2.4	4.8	-	-	0.056	2.0	2.0
150:5	C20	0.6	0.6	1.2	4.8	4.8	0.121	2.0	2.0
200:5	C50	0.3	0.3	0.6	2.4	2.4	0.161	2.0	2.0
250:5	C50	0.3	0.3	0.6	1.2	2.4	0.175	2.0	2.0
300:5	C100	0.3	0.3	0.3	1.2	1.2	0.241	2.0	2.0
400:5	C100	0.3	0.3	0.3	0.6	0.6	0.322	2.0	2.0
500:5	C100	0.3	0.3	0.3	0.3	0.6	0.441	2.0	2.0
600:5	C200	0.3	0.3	0.3	0.3	0.3	0.530	2.0	1.5
750:5	C200	0.3	0.3	0.3	0.3	0.3	0.662	2.0	1.5
800:5	C200	0.3	0.3	0.3	0.3	0.3	0.706	2.0	1.5
1000:5	C200	0.3	0.3	0.3	0.3	0.3	0.883	1.5	1.33
1200:5	C400	0.3	0.3	0.3	0.3	0.3	1.059	1.5	1.0
1500:5	C400	0.3	0.3	0.3	0.3	0.3	1.324	1.5	1.0
1600:5	C400	0.3	0.3	0.3	0.3	0.3	1.413	1.33	1.0
2000:5	C400	0.3	0.3	0.3	0.3	0.3	1.678	1.33	1.0
2500:5	C400	0.3	0.3	0.3	0.3	0.3	2.097	1.0	0.8
3000:5	C800	0.3	0.3	0.3	0.3	0.3	2.516	1.0	0.8
3200:5	C800	0.3	0.3	0.3	0.3	0.3	2.684	1.0	0.8
3500:5	C800	0.3	0.3	0.3	0.3	0.3	2.936	1.0	0.8
4000:5	C800	0.3	0.3	0.3	0.3	0.3	3.353	1.0	0.6
5000:5	C800	0.3	0.3	0.3	0.3	0.3	3.983	1.0	0.6
6000:5	C800	0.3	0.3	0.3	0.3	0.3	4.780	0.8	0.6



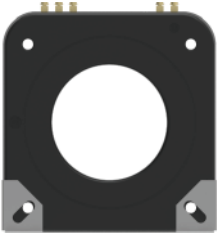
shop.electro-meters.com

ANSI Current Transformer Series

143 Series

Specifications

- Applicable standard : ANSI/IEEE C57.13
- Case : 10% glass filled polycarbonate, flame retardant grades classified UL 94V-0.
- Frequency : 50-400 Hz
- Insulation Level : 600 Volts, 10KV BIL full wave
- Terminals are brass studs No. 10-32 UNF with one flat washer, lockwasher, and regular nut
- Mounting kit available upon request

Item Code	Model	Product
X41H-0A00-001	143	

Application

- Used for measurement purposes in conjunction with ammeters, wattmeters, etc.
- Also applicable for cross current compensation.