



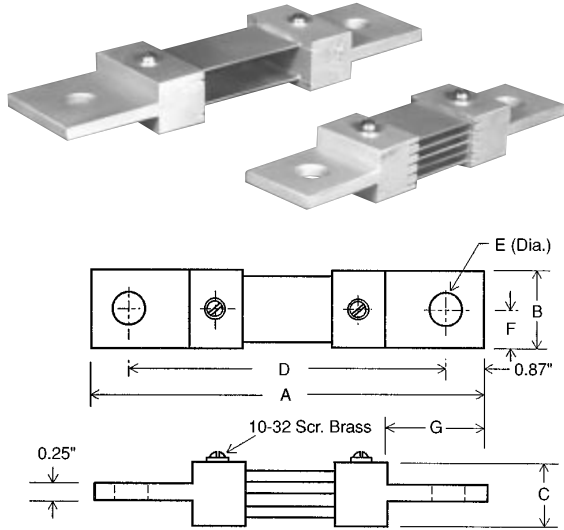
TYPE M: 300 through 1,000 Amperes

TYPE M: 50 mV

Catalog Number	AMP	A	B	C	D	E	F	G
M-300-50	300	7	1.25	1	5.25	0.53	0.62	1.75
M-400-50	400	7	1.25	1	5.25	0.53	0.62	1.75
M-500-50	500	7	1.25	1	5.25	0.53	0.62	1.75
M-600-50	600	7	1.50	1	5.25	0.53	0.75	1.75
M-750-50	750	7	2	1	5.25	0.65	1	1.75
M-800-50	800	7	2	1	5.25	0.65	1	1.75
M-1000-50	1000	7	2.50	1	5.25	0.65	1.25	1.75

TYPE M: 100 mV

Catalog Number	AMP	A	B	C	D	E	F	G
M-120-100	120	8.25	1.25	1	6.50	0.53	0.62	1.87
M-130-100	130	8.25	1.25	1	6.50	0.53	0.62	1.87
M-150-100	150	8.25	1.50	1	6.50	0.53	0.75	1.87
M-200-100	200	8.25	1.50	1	6.50	0.53	0.75	1.87
M-250-100	250	8.25	2	1	6.50	0.53	1	1.87
M-300-100	300	8.25	2	1	6.50	0.53	1	1.87
M-400-100	400	8.25	2	1	6.50	0.53	1	1.87
M-500-100	500	8.25	2.50	1	6.50	0.53	1.25	1.87



Tolerances $\pm .015$ for the hole diameters. Other tolerances $\pm .030$ unless specified.
Dimensions subject to change without notice.