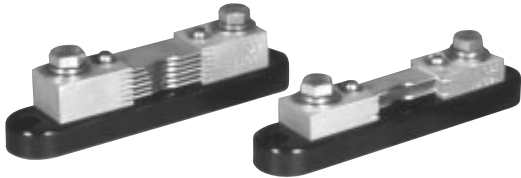
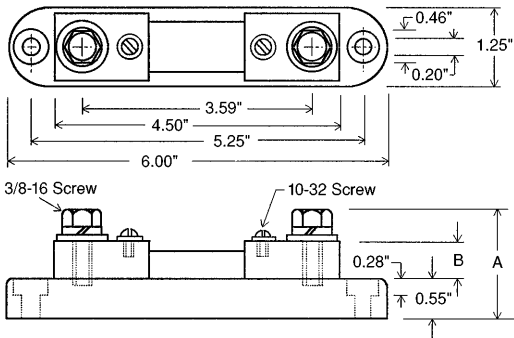




## TYPE C: 1 through 500 Amperes



\*Low amperage models are furnished with protective covers.



### TYPE C: 50 mV

Catalog Number	AMP	A	B
C-1-50*	1	1.45	0.50
C-2-50*	2	1.45	0.50
C-5-50*	5	1.45	0.50
C-10-50*	10	1.45	0.50
C-20-50	20	1.45	0.50
C-50-50	50	1.45	0.50
C-100-50	100	1.45	0.50
C-150-50	150	1.45	0.50
C-200-50	200	1.45	0.50
C-250-50	250	1.75	0.75
C-300-50	300	1.75	0.75
C-400-50	400	1.75	0.75
C-500-50	500	1.75	0.75

### TYPE C: 100 mV

Catalog Number	AMP	A	B
C-1-100*	1	1.45	0.50
C-2-100*	2	1.45	0.50
C-5-100*	5	1.45	0.50
C-10-100*	10	1.45	0.50
C-15-100	15	1.45	0.50
C-20-100	20	1.45	0.50
C-25-100	25	1.45	0.50
C-50-100	50	1.45	0.50
C-75-100	75	1.45	0.50
C-100-100	100	1.45	0.50
C-200-100	200	1.45	0.50
C-300-100	300	1.75	0.75
C-500-100	500	1.75	0.75