

ACCUEVERGY

AcuCT mV Series

333mV Split-Core Current Transformer



D A T A S H E E T

AcuCT mV Series

AcuCT-3050

333mV Split-Core Current Transformer
Datasheet



Ideal for gathering high-precision measurements in commercial or industrial electrical panels or switchgear, the AcuCT mV Series is a revenue grade current transformer with a safe, 333mV output. The AcuCT mV is compatible with a range of meters or other instrumentation and the pull-apart, split-core design helps facilitate fast installation without cable or wire disconnection.

Key Features

- Revenue grade accuracy: IEC 61869-2 Class 0.5s (from 5% - 120% of rated current)
- Safe, 333mV output
- Split-Core design for quick installation
- UL Recognized



Accuenergy (Canada) Inc.

/R/BOHVURUWMLUJHRVLD

North America Toll Free: 1-877-721-8908

Web: www.accuenergy.com

Email: marketing@accuenergy.com

Revision Date: Sep 2021 Version: 1.0.0
Specs Subject To Change Without Notice.



6SHFL4FDWLRQ

RATED CURRENT	
Current Range	400A, 600A, 1000A, 1500A, 2000A, 3000A, 5000A
Output	5% - 120% of rated current
Accuracy	333mV
	IEC 61869-2 Class 0.5s

MECHANICAL/ENVIRONMENTAL

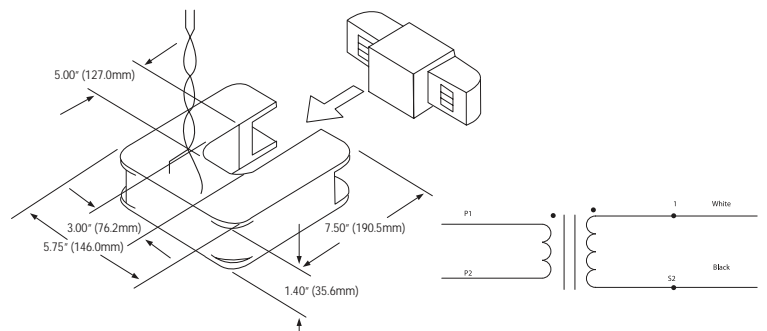
Form Factor	Split-Core CT
Window Size	76.2mm x 127.0mm (3.00" x 5.00")
Exterior Dimensions	146.0mm x 190.5mm x 35.6mm 5.75" x 7.50" x 1.40"
Case Material	Epoxy Encapsulated Housing, UL 94V-0
Lead Wires	2.5m (8) twisted pair, 22AWG
Operating Temperature	-20°C to 55°C / -4°F to 131°F
Operating Humidity	Non-condensing, 0 to 95% RH
Installation Conditions	Indoor Use

ELECTRICAL

Wire Polarity	White=Positive, Black=Negative
Phase Orientation	Arrow Points Towards Load
Frequency Range	50/60Hz
Burden	

SAFETY/COMPLIANCE

Withstand Voltage	3,000Vac
Insulation Voltage	600Vac, Category III
Rated Voltage	600V
UWLRQ	CE, RoHS, cURus (E359521)



2UGHULUUPDWLRQ

Ordering Number	Rated Input	Rated Output
AcuCT- 3050	-	: :333
Ordering Example	AcuCT- 3050 - 1000	: :333
	400: 400A	
	600: 600A	
	1000: 1000A	
	1500:1500A	
	2000: 2000A	
	3000: 3000A	
	5000: 5000A	