

ACCUEVERGY

AcuCT R Series

Revenue Grade Split-Core Current Transformer



D A T A S H E E T

AcuCT R Series

AcuCT-075R

Revenue Grade Split-Core Current Transformer Datasheet



The AcuCT R Series CTs are premium, revenue grade split-core current transformers with a selection output options and class-leading accuracy. UL2808 Listed for guaranteed safety and quality, the AcuCT R Series combines a compact, durable form factor with a sturdy latch for added assurance in challenging applications. Installation is straightforward thanks to the user-friendly, press-open design.

Features

- Revenue grade accuracy: IEC 61869-2 Class 0.5s (from 5% - 120% of rated current)
- Choose from multiple secondary output options including 80mA and 333mV
- The press-open design helps to speed and simplify installation
- Includes accessories for several mounting options
- UL Listed for XOBA UL2808 standard, CSA C22.2 No. 61010-1



Accuenergy (Canada) Inc.
 Los Angeles - Toronto - Beijing - Pretoria
 North America Toll Free: 1-877-721-8908
 Web: www.accuenergy.com
 Email: marketing@accuenergy.com

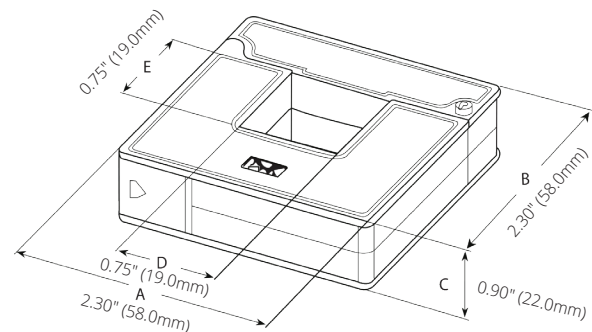
Revision Date: Sep 2021 Version: 1.0.0
 Specs Subject To Change Without Notice



Specifications

RATED CURRENT	50A, 100A, 150A
Current Range	5% - 120% of rated current
Output	80mA, 100mA, 200mA, 333mV
Accuracy	IEC 61869-2 Class 0.5s
MECHANICAL/ENVIRONMENTAL	
Form Factor	Press Open Split-Core CT
Window Size	19.0mm x 19.0mm (0.75" x 0.75")
Exterior Dimensions	58.0mm x 58.0mm x 22.0mm 2.30" x 2.30" x 0.90"
Case Material	UL enclosure rated to 135°C (275°F)
Lead Wires	2.5m (8ft) UL 1015 18AWG
Operating Temperature	-15°C to 65°C / 5°F to 149°F
Operating Humidity	Non-condensing, 0 to 95% RH
Installation Conditions	Indoor Use
ELECTRICAL	
Wire Polarity	White=Positive, Black=Negative
Phase Orientation	Arrow Points Towards Load
Frequency Range	50/60Hz
Burden	100A: 25Ω
SAFETY/COMPLIANCE	
Withstand Voltage	5,000Vac
Rated Voltage	600V
Certifications	CE, RoHS, UL Listed UL2808 (E469633) 61010-1 and CSA 22.2 IEEE 61869-2

Dimensions



Ordering Information

		Rated Input	Rated Output
Ordering Number	AcuCT-075R	-	:
Ordering Example	AcuCT-075R	- 50	: 333mV
		50: 50A	333mV
		100: 100A	80mA
		150: 150A	100mA
			200mA

AcuCT R Series

AcuCT-100R

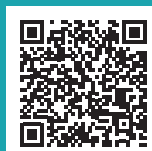
Revenue Grade Split-Core Current Transformer Datasheet



The AcuCT R Series CTs are premium, revenue grade split-core current transformers with a selection output options and class-leading accuracy. UL2808 Listed for guaranteed safety and quality, the AcuCT R Series combines a compact, durable form factor with a sturdy latch for added assurance in challenging applications. Installation is straightforward thanks to the user-friendly, press-open design.

Features

- Revenue grade accuracy: IEC 61869-2 Class 0.5s (from 5% - 120% of rated current)
- Choose from multiple voltage or current secondary output options including 1A and 333mV
- The press-open design helps to speed and simplify installation
- Includes accessories for several mounting options
- UL Listed for XOBA UL2808 standard, CSA C22.2 No. 61010-1



Accuenergy (Canada) Inc.
 Los Angeles - Toronto - Beijing - Pretoria
 North America Toll Free: 1-877-721-8908
 Web: www.accuenergy.com
 Email: marketing@accuenergy.com

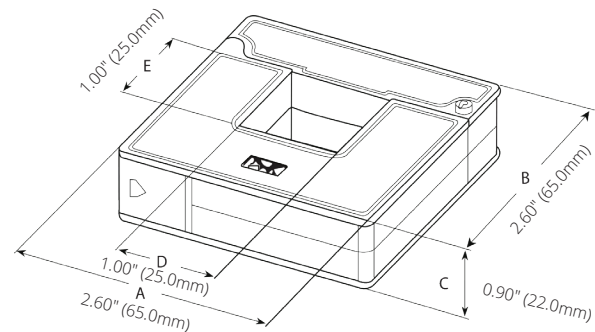
Revision Date: Sep 2021 Version: 1.0.0
 Specs Subject To Change Without Notice



Specifications

RATED CURRENT	100A, 200A, 250A
Current Range	5% - 120% of rated current
Output	1A, 80mA, 100mA, 200mA, 333mV
Accuracy	IEC 61869-2 Class 0.5s
MECHANICAL/ENVIRONMENTAL	
Form Factor	Press Open Split-Core CT
Window Size	25.0mm x 25.0mm (1.00" x 1.00")
Exterior Dimensions	65.0mm x 65.0mm x 22.0mm 2.60" x 2.60" x 0.90"
Case Material	UL enclosure rated to 135°C (275°F)
Lead Wires	2.5m (8ft) UL 1015 18AWG
Operating Temperature	-15°C to 65°C / 5°F to 149°F
Operating Humidity	Non-condensing, 0 to 95% RH
Installation Conditions	Indoor Use
ELECTRICAL	
Wire Polarity	White=Positive, Black=Negative
Phase Orientation	Arrow Points Towards Load
Frequency Range	50/60Hz
Burden	100A: 25Ω / 200A: 12.5Ω / 250A: 10Ω
SAFETY/COMPLIANCE	
Withstand Voltage	5,000Vac
Rated Voltage	600V
Certifications	CE, RoHS, UL Listed UL2808 (E469633) 61010-1 and CSA 22.2 IEEE 61869-2

Dimensions



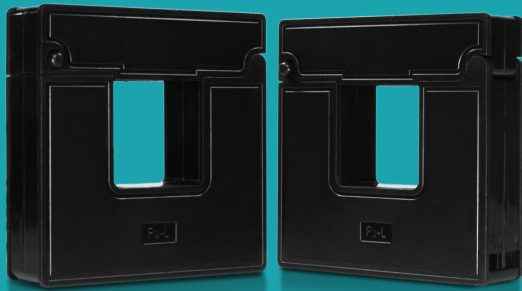
Ordering Information

		Rated Input	Rated Output
Ordering Number	AcuCT-100R	-	:
Ordering Example	AcuCT-100R	- 100	: 333mV
		100: 100A	1A
		200: 200A	333mV
		250: 250A	80mA
			100mA
			200mA

AcuCT R Series

AcuCT-125R

Revenue Grade Split-Core Current Transformer Datasheet



The AcuCT R Series CTs are premium, revenue grade split-core current transformers with a selection output options and class-leading accuracy. UL2808 Listed for guaranteed safety and quality, the AcuCT R Series combines a compact, durable form factor with a sturdy latch for added assurance in challenging applications. Installation is straightforward thanks to the user-friendly, press-open design.

Features

- Revenue grade accuracy: IEC 61869-2 Class 0.5s (from 5% - 120% of rated current)
- Choose from multiple voltage or current secondary output options including 1A and 333mV
- The press-open design helps to speed and simplify installation
- Includes accessories for several mounting options



Accuenergy (Canada) Inc.
 Los Angeles - Toronto - Beijing - Pretoria
 North America Toll Free: 1-877-721-8908
 Web: www.accuenergy.com
 Email: marketing@accuenergy.com

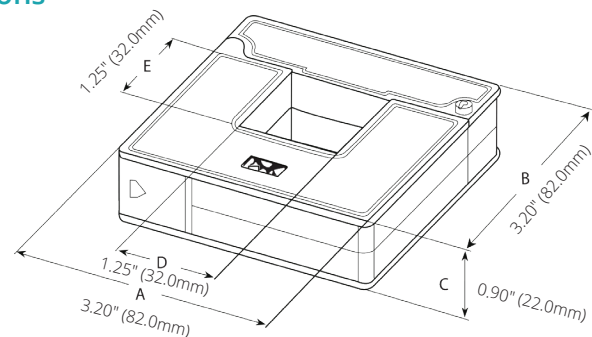
Revision Date: Sep 2021 Version: 1.0.0
 Specs Subject To Change Without Notice



Specifications

RATED CURRENT	100A, 200A, 300A, 400A
Current Range	5% - 120% of rated current
Output	1A, 80mA, 100mA, 200mA, 333mV
Accuracy	IEC 61869-2 Class 0.5s
MECHANICAL/ENVIRONMENTAL	
Form Factor	Press Open Split-Core CT
Window Size	32.0mm x 32.0mm (1.25" x 1.25")
Exterior Dimensions	82.0mm x 82.0mm x 22.0mm 3.20" x 3.20" x 0.90"
Case Material	UL enclosure rated to 135°C (275°F)
Lead Wires	2.5m (8ft) UL 1015 18AWG
Operating Temperature	-15°C to 65°C / 5°F to 149°F
Operating Humidity	Non-condensing, 0 to 95% RH
Installation Conditions	Indoor Use
ELECTRICAL	
Wire Polarity	White=Positive, Black=Negative
Phase Orientation	Arrow Points Towards Load
Frequency Range	50/60Hz
Burden	100A: 25Ω / 200A: 12.5Ω / 300A: 8.33Ω / 400A: 6.25Ω
SAFETY/COMPLIANCE	
Withstand Voltage	5,000Vac
Rated Voltage	600V
Certifications	CE, RoHS, UL Listed UL2808 (E469633) 61010-1 and CSA 22.2 IEEE 61869-2

Dimensions



Ordering Information

		Rated Input	Rated Output
Ordering Number	AcuCT-125R -	:	
Ordering Example	AcuCT-125R - 200	:	333mV
		100: 100A	1A
		200: 200A	333mV
		300: 300A	80mA
		400: 400A	100mA
			200mA

AcuCT R Series

AcuCT-200R

Revenue Grade Split-Core Current Transformer Datasheet



The AcuCT R Series CTs are premium, revenue grade split-core current transformers with a selection output options and class-leading accuracy. UL2808 Listed for guaranteed safety and quality, the AcuCT R Series combines a compact, durable form factor with a sturdy latch for added assurance in challenging applications. Installation is straightforward thanks to the user-friendly, press-open design.

Features

- Revenue grade accuracy: IEC 61869-2 Class 0.5s (from 5% - 120% of rated current)
- Choose from multiple voltage or current secondary output options including 1A and 333mV
- The press-open design helps to speed and simplify installation
- Includes accessories for several mounting options



Accuenergy (Canada) Inc.
 Los Angeles - Toronto - Beijing - Pretoria
 North America Toll Free: 1-877-721-8908
 Web: www.accuenergy.com
 Email: marketing@accuenergy.com

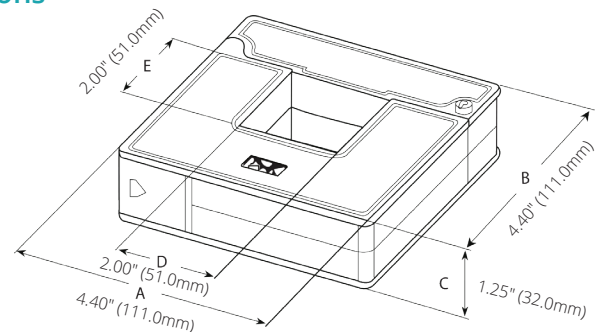
Revision Date: Sep 2021 Version: 1.0.0
 Specs Subject To Change Without Notice



Specifications

RATED CURRENT	400A, 600A, 800A, 1000A
Current Range	5% - 120% of rated current
Output	1A, 80mA, 100mA, 200mA, 333mV
Accuracy	IEC 61869-2 Class 0.5s
MECHANICAL/ENVIRONMENTAL	
Form Factor	Press Open Split-Core CT
Window Size	51.0mm x 51.0mm (2.00" x 2.00")
Exterior Dimensions	111.0mm x 111.0mm x 32.0mm 4.40" x 4.40" x 1.25"
Case Material	UL enclosure rated to 135°C (275°F)
Lead Wires	2.5m (8ft) UL 1015 18AWG
Operating Temperature	-15°C to 65°C / 5°F to 149°F
Operating Humidity	Non-condensing, 0 to 95% RH
Installation Conditions	Indoor Use
ELECTRICAL	
Wire Polarity	White=Positive, Black=Negative
Phase Orientation	Arrow Points Towards Load
Frequency Range	50/60Hz
Burden	400A: 6.25Ω / 600A: 4.16Ω / 800A: 3.12Ω / 1000A: 2.5
SAFETY/COMPLIANCE	
Withstand Voltage	5,000Vac
Rated Voltage	600V
Certifications	CE, RoHS, UL Listed UL2808 (E469633) 61010-1 and CSA 22.2 IEEE 61869-2

Dimensions



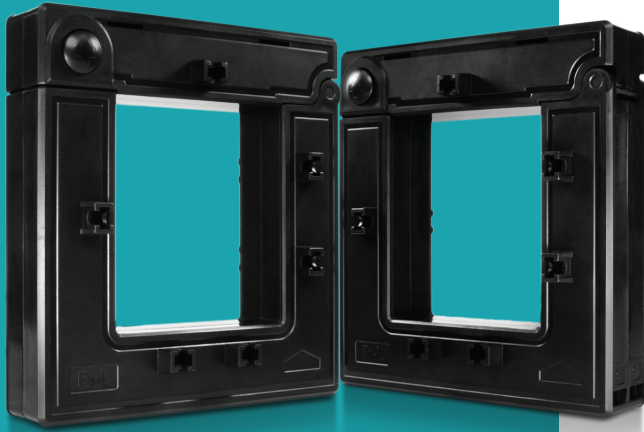
Ordering Information

		Rated Input	Rated Output
Ordering Number	AcuCT-200R	-	:
Ordering Example	AcuCT-200R	- 400	: 333mV
		400: 400A	1A
		600: 600A	333mV
		800: 800A	80mA
		1000: 1000A	100mA
			200mA

AcuCT R Series

AcuCT-3135R

Revenue Grade Split-Core Current Transformer Datasheet



The AcuCT R Series CTs are premium, revenue grade split-core current transformers with a selection output options and class-leading accuracy. UL2808 Listed for guaranteed safety and quality, the AcuCT R Series combines a compact, durable form factor with a sturdy latch for added assurance in challenging applications. Installation is straightforward thanks to the user-friendly, press-open design.

Features

- Revenue grade accuracy: IEC 61869-2 Class 0.5s (from 5% - 120% of rated current)
- Choose from multiple voltage or current secondary output options including 5A and 333mV
- The press-open design helps to speed and simplify installation



Accuenergy (Canada) Inc.
 Los Angeles - Toronto - Beijing - Pretoria
 North America Toll Free: 1-877-721-8908
 Web: www.accuenergy.com
 Email: marketing@accuenergy.com

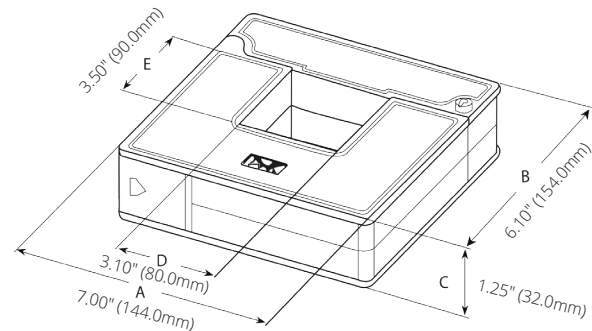
Revision Date: Sep 2021 Version: 1.0.0
 Specs Subject To Change Without Notice



Specifications

RATED CURRENT	600A, 800A, 1000A, 1200A, 1500A
Current Range	5% - 120% of rated current
Output	5A, 1A, 80mA, 100mA, 200mA, 333mV
Accuracy	IEC 61869-2 Class 0.5s
MECHANICAL/ENVIRONMENTAL	
Form Factor	Press Open Split-Core CT
Window Size	80.0mm x 90.0mm (3.10" x 3.50")
Exterior Dimensions	144.0mm x 154.0mm x 32.0mm 7.00" x 6.10" x 1.25"
Case Material	UL enclosure rated to 135°C (275°F)
Lead Wires	2.5m (8ft) UL 1015 18AWG
Operating Temperature	-15°C to 65°C / 5°F to 149°F
Operating Humidity	Non-condensing, 0 to 95% RH
Installation Conditions	Indoor Use
ELECTRICAL	
Wire Polarity	White=Positive, Black=Negative
Phase Orientation	Arrow Points Towards Load
Frequency Range	50/60Hz
Burden	600A: 4.16Ω / 800A: 3.12Ω / 1000A: 2.5Ω / 1200A: 2.08Ω / 1500A: 1.66Ω
SAFETY/COMPLIANCE	
Withstand Voltage	5,000Vac
Rated Voltage	600V
Certifications	CE, RoHS, UL Listed UL2808 (E469633) 61010-1 and CSA 22.2 IEEE 61869-2

Dimensions



Ordering Information

		Rated Input	Rated Output
Ordering Number	AcuCT-3135R -	:	
Ordering Example	AcuCT-3135R -	600	: 333mV
		600: 600A	1A
		800: 800A	5A
		1000: 1000A	333mV
		1200: 1200A	80mA
		1500: 1500A	100mA
			200mA

AcuCT R Series

AcuCT-4161R

Revenue Grade Split-Core Current Transformer Datasheet



The AcuCT R Series CTs are premium, revenue grade split-core current transformers with a selection output options and class-leading accuracy. UL2808 Listed for guaranteed safety and quality, the AcuCT R Series combines a compact, durable form factor with a sturdy latch for added assurance in challenging applications. Installation is straightforward thanks to the user-friendly, press-open design.

Features

- Revenue grade accuracy: IEC 61869-2 Class 0.5s (from 5% - 120% of rated current)
- Choose from multiple voltage or current secondary output options including 5A and 333mV
- The press-open design helps to speed and simplify installation



Accuenergy (Canada) Inc.
 Los Angeles - Toronto - Beijing - Pretoria
 North America Toll Free: 1-877-721-8908
 Web: www.accuenergy.com
 Email: marketing@accuenergy.com

Revision Date: Sep 2021 Version: 1.0.0
 Specs Subject To Change Without Notice



Specifications

RATED CURRENT	600A, 800A, 1000A, 1200A, 1600A, 2000A, 2500A, 3000A, 4000A, 5000A
Current Range	5% - 120% of rated current
Output	5A, 1A, 80mA, 100mA, 200mA, 333mV
Accuracy	IEC 61869-2 Class 0.5s

MECHANICAL/ENVIRONMENTAL

Form Factor	Press Open Split-Core CT
Window Size	105.0mm x 155.0mm (4.10" x 6.10")
Exterior Dimensions	185.0mm x 235.0mm x 45.0mm 7.30" x 9.30" x 1.80"
Case Material	UL enclosure rated to 135°C (275°F)
Lead Wires	2.5m (8ft) UL 1015 18AWG
Operating Temperature	-15°C to 65°C / 5°F to 149°F
Operating Humidity	Non-condensing, 0 to 95% RH
Installation Conditions	Indoor Use

ELECTRICAL

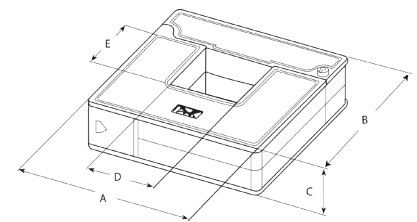
Wire Polarity	White=Positive, Black=Negative
Phase Orientation	Arrow Points Towards Load
Frequency Range	50/60Hz
Burden	600A: 4.16Ω / 1200A: 2.08Ω / 1600A: 1.56Ω / 2000A: 1.25Ω / 3000A: 0.83Ω / 4000A: 0.625Ω / 5000A: 0.5Ω

SAFETY/COMPLIANCE

Withstand Voltage	5,000Vac
Rated Voltage	600V
Certifications	CE, RoHS, UL Listed UL2808 (E469633) 61010-1 and CSA 22.2 IEEE 61869-2

Dimensions

- A: 7.30" (185.0mm)
- B: 9.30" (235.0mm)
- C: 1.80" (45.0mm)
- D: 4.10" (105.0mm)
- E: 6.10" (155.0mm)



Ordering Information

Ordering Number	Rated Input	Rated Output
AcuCT-4161R -		
Ordering Example AcuCT-4161R -	2000	: 333mV
	600: 600A	1A
	800: 800A	5A
	1000: 1000A	333mV
	1200: 1200A	80mA
	1600: 1600A	100mA
	2000: 2000A	200mA
	2500: 2500A	
	3000: 3000A	
	4000: 4000A	
	5000: 5000A	

AcuCT R Series

AcuCT-5170R

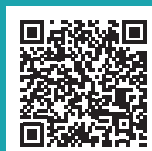
Revenue Grade Split-Core Current Transformer Datasheet



The AcuCT R Series CTs are premium, revenue grade split-core current transformers with a selection output options and class-leading accuracy. UL2808 Listed for guaranteed safety and quality, the AcuCT R Series combines a compact, durable form factor with a sturdy latch for added assurance in challenging applications. Installation is straightforward thanks to the user-friendly, press-open design.

Features

- Revenue grade accuracy: IEC 61869-2 Class 0.5s (from 5% - 120% of rated current)
- Choose from multiple voltage or current secondary output options including 5A and 333mV



Accuenergy (Canada) Inc.
 Los Angeles - Toronto - Beijing - Pretoria
 North America Toll Free: 1-877-721-8908
 Web: www.accuenergy.com
 Email: marketing@accuenergy.com

Revision Date: Sep 2021 Version: 1.0.0
 Specs Subject To Change Without Notice



Specifications

RATED CURRENT	1000A, 1600A, 2000A, 3000A, 4000A, 5000A
Current Range	5% - 120% of rated current
Output	5A, 1A, 80mA, 100mA, 200mA, 333mV
Accuracy	IEC 61869-2 Class 0.5s

MECHANICAL/ENVIRONMENTAL

Form Factor	Press Open Split-Core CT
Window Size	130.0mm x 180.0mm (5.10" x 7.00")
Exterior Dimensions	210.0mm x 260.0mm x 45.0mm 8.30" x 10.20" x 1.80"
Case Material	UL enclosure rated to 135°C (275°F)
Lead Wires	2.5m (8ft) UL 1015 18AWG
Operating Temperature	-15°C to 65°C / 5°F to 149°F
Operating Humidity	Non-condensing, 0 to 95% RH
Installation Conditions	Indoor Use

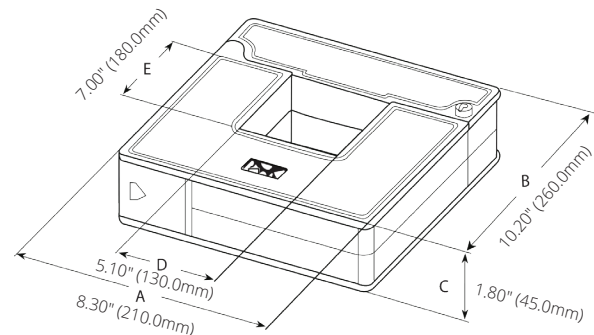
ELECTRICAL

Wire Polarity	White=Positive, Black=Negative
Phase Orientation	Arrow Points Towards Load
Frequency Range	50/60Hz
Burden	1600A: 1.56Ω / 3000A: 0.83Ω / 4000A: 0.625 / 5000A: 0.5Ω

SAFETY/COMPLIANCE

Withstand Voltage	5,000Vac
Rated Voltage	600V
Certifications	CE, RoHS, UL Listed UL2808 (E469633) 61010-1 and CSA 22.2 IEEE 61869-2

Dimensions



Ordering Information

Ordering Number	Rated Input	Rated Output
AcuCT-5170R -		
Ordering Example	AcuCT-5170R - 2000	: 333mV
	1000: 1000A	1A
	1600: 1600A	5A
	2000: 2000A	333mV
	3000: 3000A	80mA
	4000: 4000A	100mA
	5000: 5000A	200mA