

# General Specifications

## MODEL UM331 Digital Indicator with Alarms with Active Color PV Display



GS 05F01D12-02E

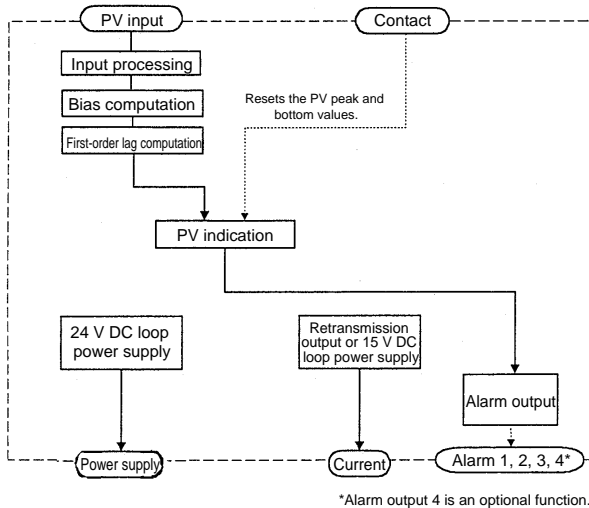
### ■ General

Model UM331 Digital Indicator with Alarms is a precision 1/8 DIN alarm instrument provided with universal input. For excellent monitoring operability, it has a large PV display with the PV display color changing function "Active Color PV Display." It is provided with four alarm setting points or setting outputs (one is optional function). A retransmission output and 15 V DC loop power supply are also provided as standard. A communication function and 24 V DC loop power supply are available optionally.

### ■ Main Features

- Extra-large digital display allows the indicated values to be read even from a long distance. LEDs of 20 mm height are used for the PV display.
- The PV display color changing function "Active Color PV Display" is provided. PV display color is changed from green to red and vice versa when an alarm occurs. The color also can be fixed in green or red.
- Universal input allows simple setting of the input type (thermocouple, RTD or mV) and PV input range from the front panel.
- Various communication functions are provided. Communication is possible with personal computer, programmable logic controller, and other instruments.

### ■ Function Block Diagram



### UM331



Indication in green or red color

**UM331E**  
"E" indicates the model with expanded functions.

### ■ Functional Specifications

#### ● Signal Computation Functions

- PV input computation:  
Bias addition (-100.0 to 100.0% of PV input range span), first-order lag filter (time constant off, 1 to 120 s)
- Contact input: Retains and displays peak and bottom values of PV input values. Resets the peak and bottom values.

#### ● Alarm Functions

Six types of alarm functions are provided. The alarm status is indicated by the alarm lamp on the front panel. Also, four points among them (one is optional function) can be output as relay contact outputs.

Alarm types:  
PV high limit, PV low limit, De-energized on PV high limit, De-energized on PV low limit, Fault diagnosis, and FAIL output

Alarm setting ranges:  
PV alarms: -100.0 to 100.0% of PV input range  
Alarm hysteresis: 0.0 to 100.0% of PV input range span

Delay timer:  
0.00 to 99.59 (minute, second)  
An alarm is output when the delay timer expires after the alarm setpoint is reached. Setting for each alarm is possible.

Stand-by action:  
Stand-by action can be set to make PV alarm OFF during start-up.

Fault diagnosis alarm:  
Input burnout, A/D conversion error or thermocouple RJC error

FAIL output: Abnormality in software or hardware.

#### ● Display and Operation Functions

PV display: 4-digit digital display for engineering data  
Parameter display:  
4-digit digital display for various data, including parameters

Status indication: Alarm indicator lamp  
 Four lamps; AL1, AL2, AL3 and AL4

PV display color changing function "Active Color PV Display":  
 (Factory-set default : Fixed in red mode)  
 This function automatically changes PV display color by the action described below.  
 Green-to-red or red-to-green changing action is selectable.

Link to alarm 1 mode :  
 Alarm OFF : green, Alarm ON : red  
 Setting of Alarm OFF : red, Alarm ON : green is possible.

Link to alarms 1 and 2 mode:  
 Alarm OFF : green, Alarm ON : red  
 Setting of Alarm OFF : red, Alarm ON : green is possible.

PV limit mode :  
 Within the preset PV range : green,  
 Out of the preset PV range : red  
 Setting of Within the preset PV range : red,  
 Out of the preset PV range : green is possible.  
 The range (high limit and low limit) is changeable using a parameter.

Fixed color mode :  
 PV display color is fixed in green or red.

Operation keys:  
 Δ and ∇ keys: Increase or decrease setpoints or various parameters.  
 SET/ENT key: Sets set data, calls or switches various parameters.  
 SELECT display:  
 Allows selection and registration of frequently changed parameters from the operating parameters during operation.

For example, if the alarm setpoint 1 is registered in the SELECT display, the setpoint can easily be displayed during operation.

Security function:  
 Operation can be key-locked by setting a parameter.  
 Operation can be inhibited by a password.

● **Communication Functions (Optional Function)**

The communication function, provided with the instrument, allows connection to a personal computer, and programmable logic controller.

Communication protocol  
 Computer link communication:  
 Communication protocol with a personal computer

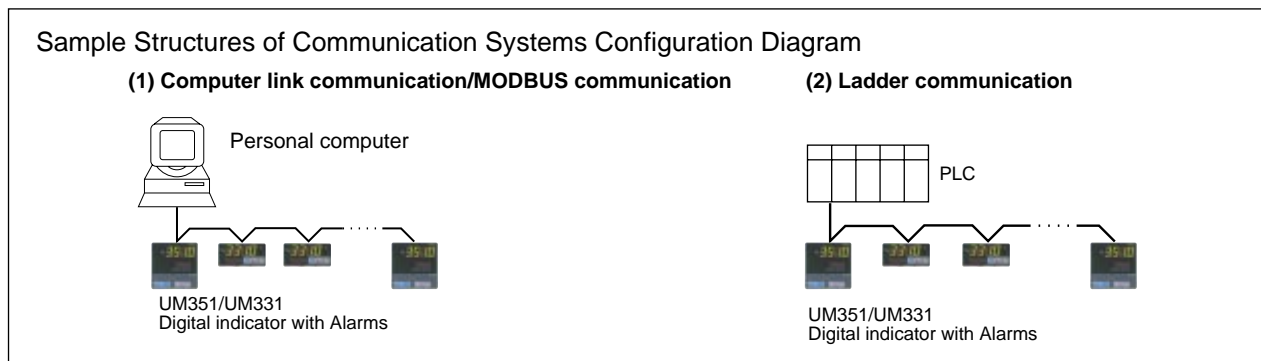
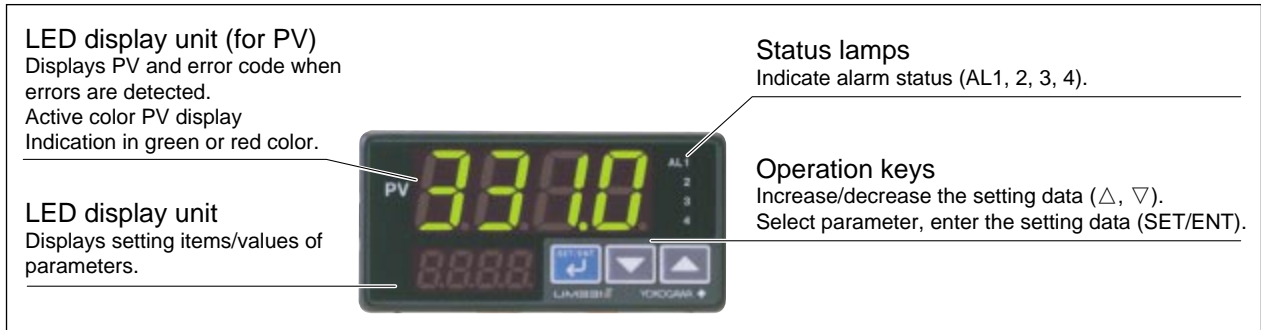
Ladder communication:  
 Communication protocol with programmable logic controller.

MODBUS Communication:  
 Communication protocol with a personal computer or PLC.

Communication interface  
 Communication protocol:  
 Computer link, ladder communication or MODBUS communication

Standards: EIA RS-485  
 Maximum number of connectable controllers:  
 31 GREEN series controllers  
 Maximum communication distance: 1,200 m  
 Communication method:  
 Two-wire half duplex, or four-wire half duplex, start-stop synchronization system, non-procedural

Communication rate:  
 600, 1200, 2400, 4800, or 9600 bps



## ■ Hardware Specifications

### PV Input Signal

Number of input points: 1

Input system: The input type and instrument range can be specified using the input range code shown in the table below with key operation or via communication.

Sampling period: 250 ms

Input type, instrument range and measurement accuracy: Refer to the table below.

Burnout detection:

Functions at thermocouple (TC), RTD or standard signal of 0.4 to 2 V or 1 to 5 V.  
Upscale, downscale, and off can be specified.  
For standard signal, set to burnout at 0.1 V or less.

Input bias current: 0.05 μA for TC or RTD b-terminal

Measurement current (RTD): About 0.13 mA

Input resistance: 1 MΩ or more for TC or mV input

About 1 MΩ for DC voltage input

Allowable signal source resistance:

250 Ω or less for TC or mV input

Effects of signal source resistance:

0.1 μV/Ω or less

2 kΩ or less for DC voltage input

Effects of signal source resistance:

About 0.01%/100Ω

Allowable wiring resistance:

Maximum 150 Ω/wire (resistance in each of three wires must be equal) for RTD input

However, maximum 10 Ω/wire for the range of -150.0 to 150.0°C

Wiring resistance effect: ±0.1°C/10 Ω

Allowable input voltage:

±10 V DC for TC, mV or RTD input

±20 V DC for DC voltage input

Noise rejection ratio:

Normal mode 40 dB (50/60Hz) or more

Common mode 120 dB (50/60Hz) or more

Input type		Input range code	Instrument range (°C)	Instrument range (°F)	Measurement accuracy*1	
Unspecified(when shipped from the factory)		OFF	Set the data item PV input Type "IN" to the OFF option to leave the PV input type undefined.			
Thermocouple	K	1	-200 to 1370°C	-300 to 2500°F	±0.1% of instrument range ±1 digit for temperatures equal to or higher than 0 °C, ±0.2% of instrument range ±1 digit for temperatures below 0 °C	
		2	-199.9 to 999.9°C	0 to 2300°F		
		3	-199.9 to 500.0°C	-199.9 to 999.9°F		
	J	4	-199.9 to 999.9°C	-300 to 2300°F		
	T	5	-199.9 to 400.0°C	-300 to 750°F		
		6	0.0 to 400.0°C	-199.9 to 750.0°F		
	B	7	0 to 1800°C	32 to 3300°F	±0.15% of instrument range ±1 digit for temperatures equal to or higher than 400 °C ±5% of instrument range ±1 digit for temperatures below 400 °C	
	S	8	0 to 1700°C	32 to 3100°F	±0.15% of instrument range ±1 digit	
	R	9	0 to 1700°C	32 to 3100°F		
	N	10	-200 to 1300°C	-300 to 2400°F	±0.1% of instrument range ±1 digit ±0.25% of instrument range ±1 digit for temperature below 0 °C	
	E	11	-199.9 to 999.9°C	-300 to 1800°F	±0.1% of instrument range ±1 digit for temperatures equal to or higher than 0°C	
	L (DIN)	12	-199.9 to 900.0°C	-300 to 1300°F	±0.2% of instrument range ±1 digit for temperatures below 0°C	
	U (DIN)	13	-199.9 to 400.0°C	-300 to 750°F		
			14	0.0 to 400.0°C	-199.9 to 750.0°F	
	W (DIN)	15	0 to 2300°C	32 to 4200°F	±0.2% of instrument range ±1 digit	
	Platinel 2	16	0 to 1390°C	32 to 2500°F	±0.1% of instrument range ±1 digit	
	PR20-40	17	0 to 1900°C	32 to 3400°F	±0.5% of instrument range ±1 digit for temperatures equal to or higher than 800°C No guarantee of accuracy for temperatures below 800°C	
	W97Re3-W75Re25	18	0 to 2000°C	32 to 3600°F	±0.2% of instrument range ±1 digit	
RTD	JPt100	30	-199.9 to 500.0°C	-199.9 to 999.9°F	±0.1% of instrument range ±1 digit (Note 1) (Note 2)	
		31	-150.0 to 150.0°C	-199.9 to 300.0°F	±0.2% of instrument range ±1 digit (Note 1)	
	Pt100	35	-199.9 to 850.0°C	-300 to 1560°F	±0.1% of instrument range ±1 digit (Note 1) (Note 2)	
		36	-199.9 to 500.0°C	-199.9 to 999.9°F		
		37	-150.0 to 150.0°C	-199.9 to 300.0°F	±0.2% of instrument range ±1 digit (Note 1)	
Standard signal	0.4 to 2 V	40	0.400 to 2.000	Scaling is enable in the following 4 range. -1999 to 9999 -199.9 to 999.9 -19.99 to 99.99 -1.999 to 9.999	±0.1% of instrument range ±1 digit The read-out range can be scaled between -1999 and 9999.	
	1 to 5 V	41	1.000 to 5.000			
DC voltage	0 to 2 V	50	0.000 to 2.000			
	0 to 10 V	51	0.00 to 10.00			
	-10 to 20 mV	55	-10.00 to 20.00			
	0 to 100 mV	56	0.0 to 100.0			

\*1: Performance in the standard operating condition (at 23°C ±2°C, 55±10%RH, and 50/60Hz power frequency)

Note 1: The accuracy is ±0.3°C of instrument range ±1 digit for a temperature range from 0 to 100°C.

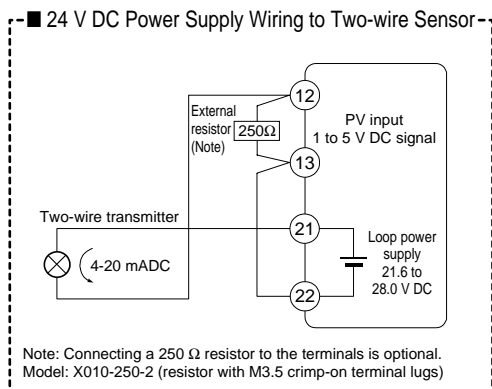
Note 2: The accuracy is ±0.5°C of instrument range ±1 digit for a temperature range from -100 to 0°C and 100 to 200°C.

Reference junction compensation error:  
 $\pm 1.0^{\circ}\text{C}$  (15 to 35  $^{\circ}\text{C}$ )  
 $\pm 1.5^{\circ}\text{C}$  (0 to 15 $^{\circ}\text{C}$ , 35 to 50 $^{\circ}\text{C}$ )  
 Applicable standards: JIS, IEC, DIN (ITS-90) for TC and RTD

**24 V DC Loop Power Supply for Sensor**

Supplies power to a two-wire transmitter.  
 A resistor (10 to 250  $\Omega$ ) connected between the indicator and transmitter converts a current signal into a voltage signal, which is then read via the PV input terminal.

Supply voltage: 21.6 to 28.0 V DC  
 Maximum supply current: About 30 mA (only for models with 24 V DC loop power supply)



**Retransmission Output**

PV is output. Can also be used for 15 V DC loop power supply.

Number of output points: 1  
 Output signal: 4 to 20 mA DC  
 Load resistance: 600  $\Omega$  or less  
 Output accuracy:  $\pm 0.3\%$  of span  
 Performance in the standard operating conditions (at 23 $\pm 2^{\circ}\text{C}$ , 55 $\pm 10\%$  RH, and 50/60 Hz power frequency)

When used for 15 V DC loop power supply:  
 Supply voltage: 14.5 to 18.0 V DC  
 Maximum supply current: About 21 mA (with a protection circuit for a field short circuit)

**Contact Input**

Usage: Resets the displayed PV peak and bottom values.  
 Number of input points: 1  
 Input type: Non-voltage contact input or transistor open collector input  
 Input contact rating: 12 V DC, 10 mA or more  
 On/off detection:  
 For non-voltage contact input,  
 ON = contact resistance of 1 k $\Omega$  or less,  
 OFF = contact resistance of 20 k $\Omega$  or more.  
 For transistor open collector input,  
 ON = 2 V or less,  
 OFF = leak current of 100  $\mu\text{A}$  or less.  
 Minimum status detection hold time: About 1 s

**Contact Outputs**

Usage: Alarm output, FAIL output  
 Number of relay contact outputs:  
 4 (Alarm-4 is optional function.)

Alarm-1 to -3 relay contact rating:  
 240 V AC 1A, or 30 V DC 1 A  
 a-contact (COM terminals are common for every contact output.) (b-contact for FAIL output)  
 Alarm-4 relay contact rating:  
 250 V AC 3 A, or 30 V DC 3 A (resistance load)  
 3 terminals (NC, NO and Common), transfer contact

**Display Unit Specifications**

PV display unit:  
 4-digit 7-segment green/red LED, each digit 20 mm in height  
 Parameter display unit:  
 4-digit 7-segment red LED, each digit 9.3 mm in height  
 Status indicator lamps: LEDs

**Safety and EMC Standards**

Safety: CSA and UL (Application for certification made.)  
 EMC standards:  
 To be obtained.

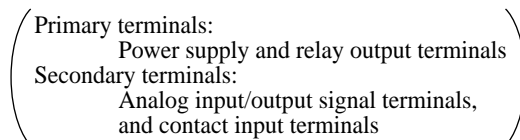
**Construction, Mounting and Wiring**

Construction: Dust-proof and Drip-proof front panel conforming to IP55.  
 Material: ABS resin and polycarbonate  
 Case color: Black  
 Weight: About 1 kg or less  
 Dimensions: 96(W) $\times$  48(H) $\times$  100 (depth from the panel face) (mm)  
 Mounting: Panel-mounting type. With right and left mounting hardware (1 each)  
 Side-by-side close mounting is not permitted.  
 Panel cutout dimensions: 92 $^{+0.8}$ <sub>0</sub> (W) $\times$  45 $^{+0.6}$ <sub>0</sub> (H) (mm)  
 Mounting attitude: Up to 30 degrees upward facing. No downward tilting allowed.  
 Wiring: M3.5 (ISO 3.5 mm) screw terminals (for signal wiring, power/grounding wiring as well)

**Power Supply and Isolation Specifications**

**Power Supply Specifications**

Power supply: Voltage rating at 100 to 240 V AC ( $\pm 10\%$ ), 50/60 Hz  
 Power consumption: Max. 20 VA (Max. 8.0 W)  
 Internal fuse rating: 250 V AC, 1.6 A time-lag fuse  
 Data backup: Non-volatile memory (service life about 100,000 times of writings)  
 Withstanding voltage:  
 Between primary terminals and secondary terminals:  
 1500 V AC for 1 min (Note)  
 Between primary terminals and grounding terminal:  
 1500 V AC for 1 min (Note)  
 Between grounding terminal and secondary terminal:  
 1500 V AC for 1 min  
 Between two secondary terminal:  
 500 V AC for 1 min



Note: The withstanding voltage is specified as 2300 V AC per minute to provide a margin of safety.  
 Isolation resistance:  
 Between power supply terminal and grounding terminal, 500 V DC 20 M $\Omega$  or more

Grounding: Class D grounding (Class 3 grounding)  
(grounding resistance of 100  $\Omega$  or less)

#### Isolation specifications

PV input terminals:

Isolated from other input/output terminals.  
Not isolated from the internal circuit.

24 V DC loop power supply terminals for sensor:

Isolated from other input/output terminals  
and internal circuit.

Retransmission output terminals:

Isolated from other input/output terminals  
and internal circuit.

Contact input terminals:

Not isolated from communication terminals.  
Isolated from other input/output terminals  
and internal circuit.

Relay contact output terminals:

Isolated from other input/output terminals  
and internal circuit.

RS-485 communication terminals:

Not isolated from contact input terminals.  
Isolated from other input/output terminals  
and internal circuit.

Power supply terminals:

Isolated from other input/output terminals,  
and internal circuit.

Grounding terminals:

Isolated from other input/output terminals,  
and internal circuit.

#### ● Environmental Conditions

Normal operating conditions:

Ambient temperature: 0 to 50°C  
0 to 40°C when using 24 V DC loop power  
supply for sensor

Temperature change rate: 10°C /h or less

Ambient humidity: 20 to 90% RH(no condensation)

Magnetic field: 400 A/m or less

Continuous vibration at 5 to 14 Hz:

Peak-to peak amplitude of 1.2 mm or less

Continuous vibration at 14 to 150 Hz:

4.9 m/s<sup>2</sup> or less

Short-period vibration: 14.7 m/s<sup>2</sup>, 15 s or less

Shock: 147 m/s<sup>2</sup> or less, 11 ms

Installation altitude:

2,000 m or less above sea level

Warm-up time: 30 minutes or more after power on

Transportation and storage conditions:

Temperature: -25 to 70°C

Temperature change rate: 20°C /h or less

Humidity: 5 to 95% RH (no condensation)

Effects of operating conditions

Effect of ambient temperature:

For voltage or TC input:

Equal or less than whichever is greater,  
 $\pm 1 \mu\text{V}/^\circ\text{C}$  or  $\pm 0.01\%$  of F.S./°C.

For RTD input:

$\pm 0.05^\circ\text{C}/^\circ\text{C}$  (ambient temperature) or less

For analog output:

$\pm 0.05\%$  of F.S./°C or less

Effect of power supply fluctuation (within rated voltage):

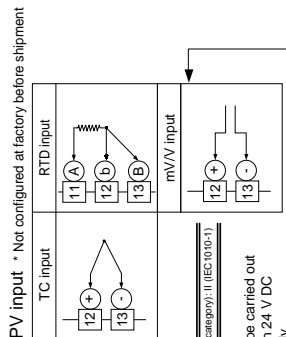
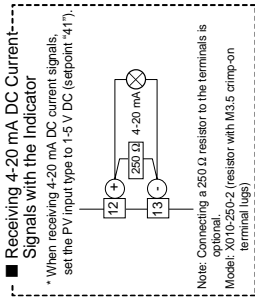
For analog input:

Equal or less than whichever is greater,  
 $\pm 1 \mu\text{V}/10 \text{ V}$  or  $\pm 0.01\%$  of F.S./10 V.

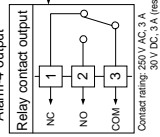
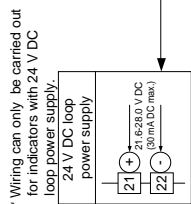
For analog output:

$\pm 0.05\%$  of F.S./10 V or less

# Terminal Arrangements for Standard Type

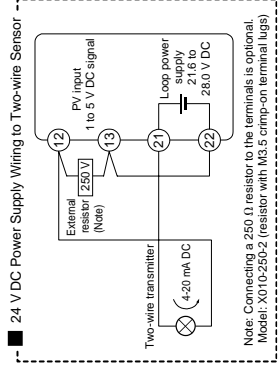
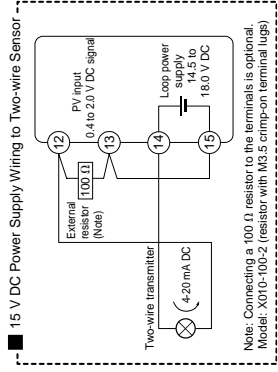
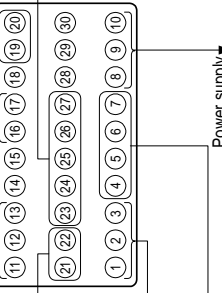
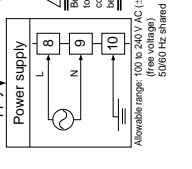
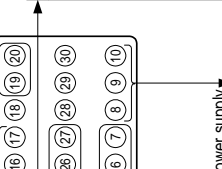
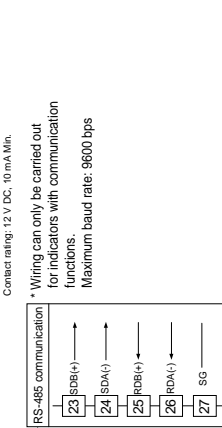
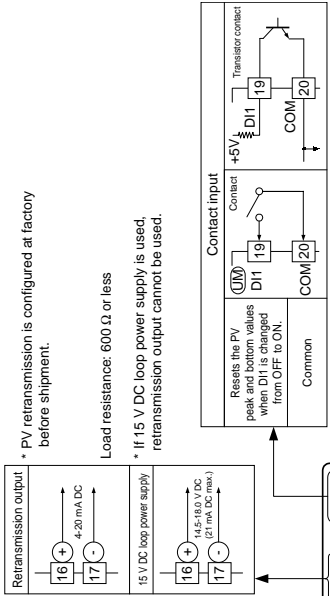


**NOTE**  
Installation category (overvoltage category): II (IEC 10/105-1)



\* Wiring can only be carried out for UM331-01 or UM331-02.

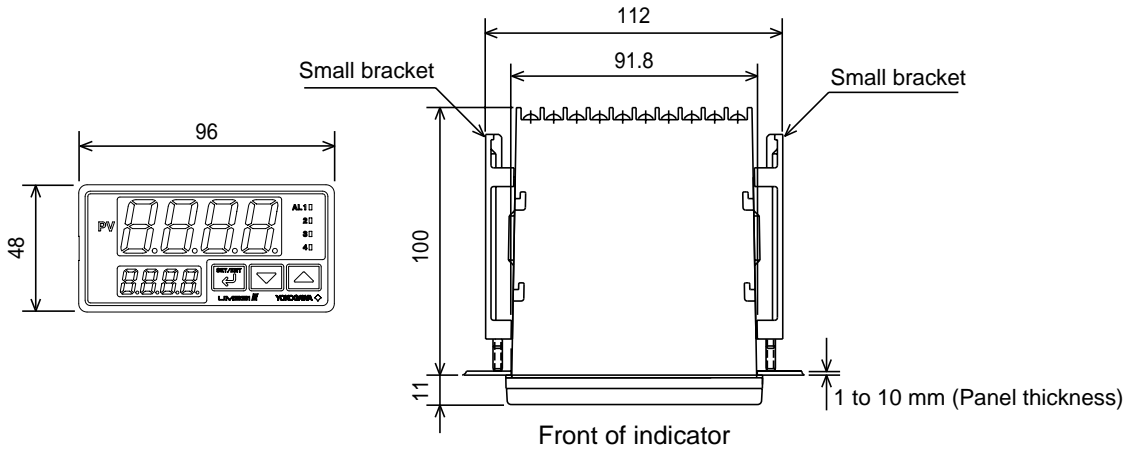
Relay contact rating: 240 V AC, 1 A, 30 V DC, 1 A (resistance load)



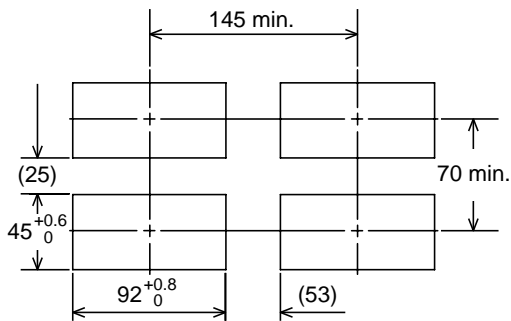
\* Wiring can only be carried out for indicators with 24 V DC loop power supply.

**External Dimensions and Panel Cutout Dimensions**

Unit: mm



**General installation**



**Model and Suffix Codes**

Model	Suffix Code	Description
UM331		Digital indicator with Alarms (provided with retransmission output and 15 V DC loop power supply as standard)
Type	-0	Standard type with three alarms
	-3	Standard type with three alarms (with a 24 V DC loop power supply)
Optional functions	0	None
	1	With communication and additional alarm-4
	2	With additional alarm-4

Standard accessories: Brackets (mounting hardware), unit label, and User's Manuals.  
Terminal cover (optional part) is provided.

**Items to be Specified when Ordering**

Model and suffix codes, necessary/unnecessary of User's Manual or QIC.