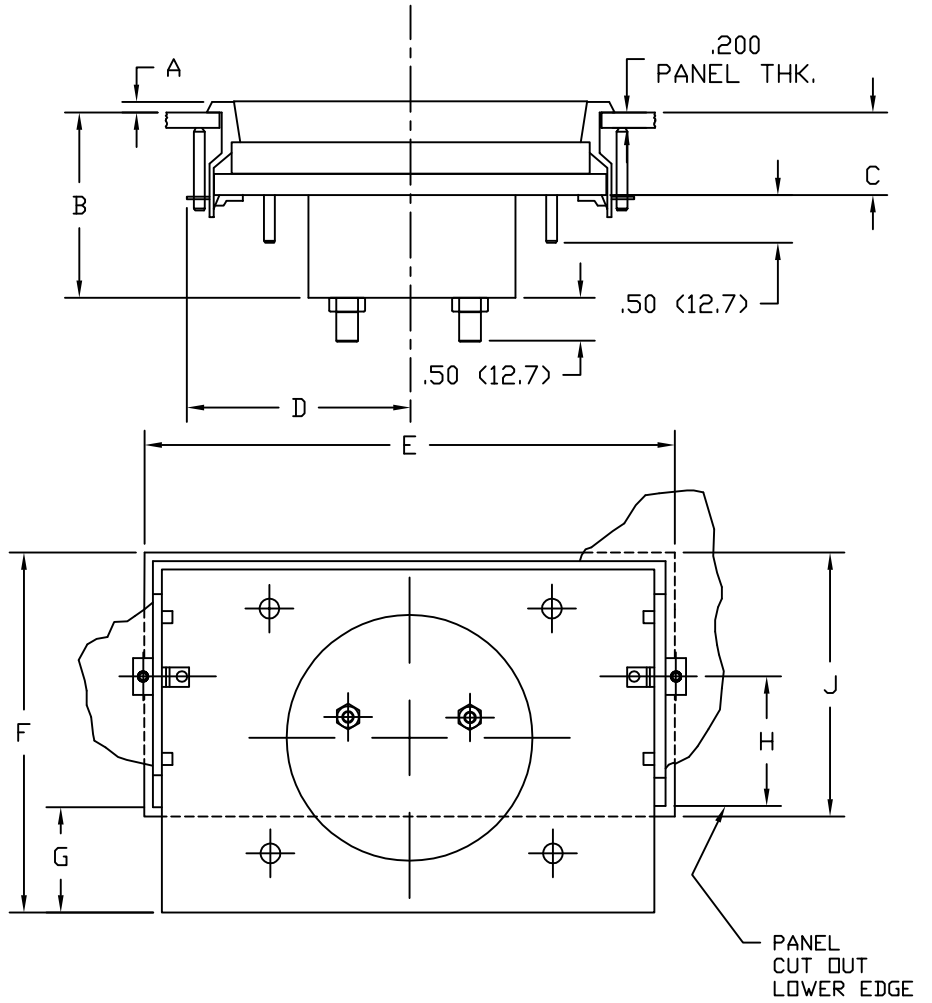
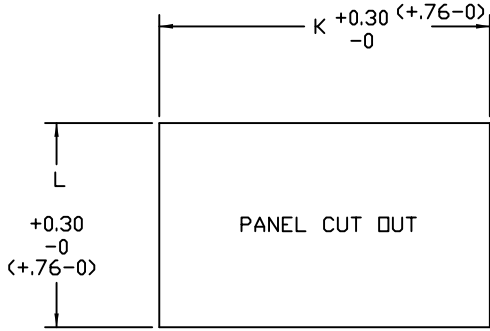


FIG. 10. STYLIST SERIES
 BEZEL MOUNTS OF SURFACE MOUNT STYLIST METERS

REV 4/1/03



		A	B	C	D	E
2 1/2	in.	.13	1.87	.57	1.78	3.15
3 1/2	in.	.14	1.89	.59	2.14	3.85
4 1/2	in.	.12	2.05	.75	2.84	5.24

	F	G	H	J	K	L
2 1/2	2.30	.64	.79	1.74	3.00	1.594
3 1/2	2.94	.72	1.07	2.30	3.718	2.156
4 1/2	4.05	1.13	1.42	2.99	5.126	2.843