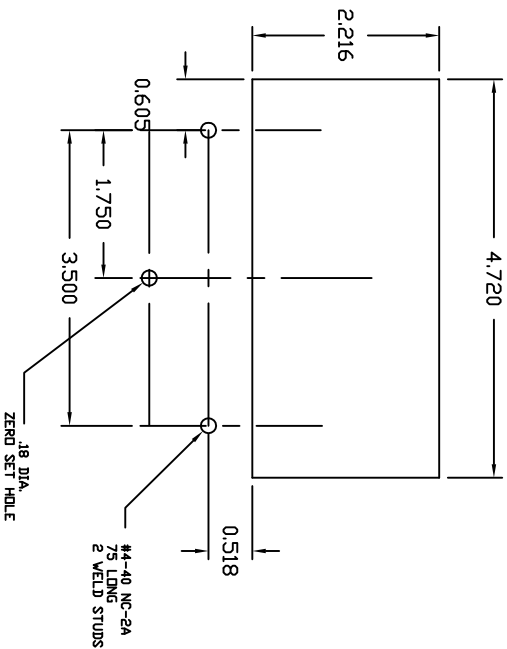
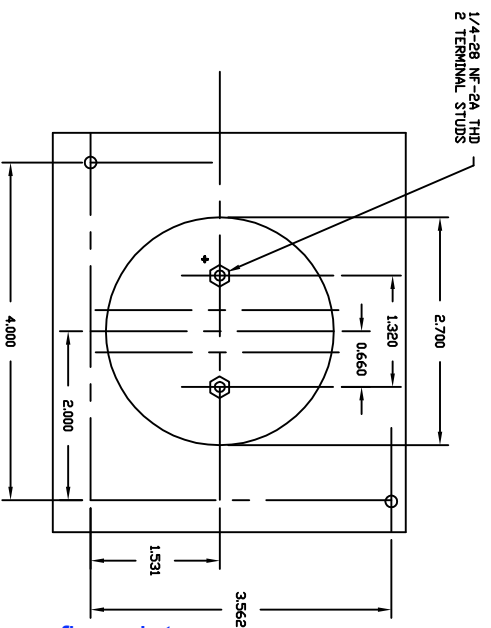
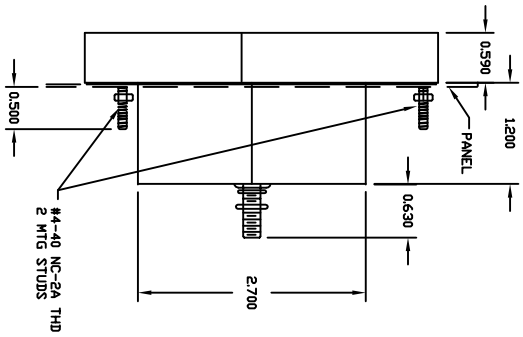
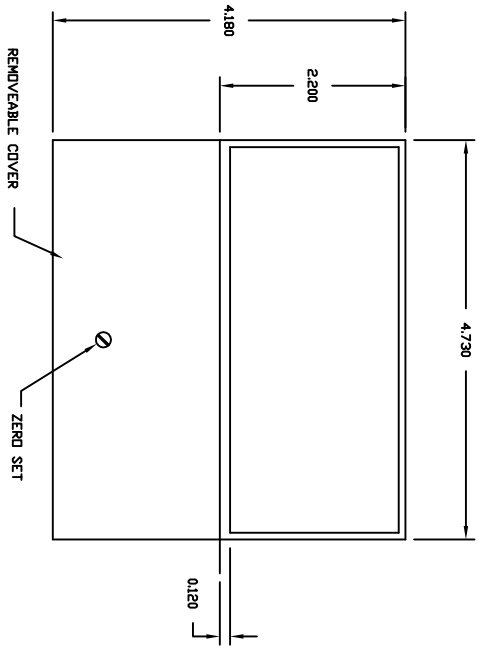
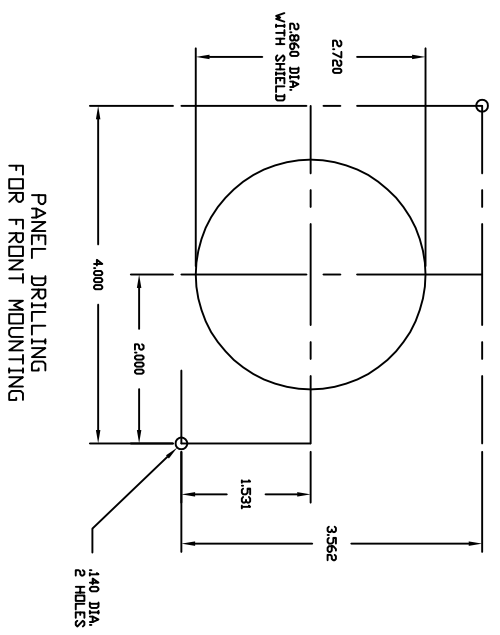
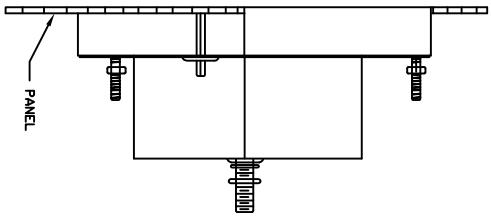


FIG. 8. NEW HORIZON LINE 4½ INCH TYPES 251 & 255
 REV 1/21/03 (DWG. 3151K13)



PANEL CUTOUT
 FOR MOUNTING BEHIND PANEL



PANEL DRILLING
 FOR FRONT MOUNTING