

TABLE OF CONTENTS

QuadraPaddle™ Solutions.....2
Contact Specifications.....3
QuadraPaddle™ Contacts/Patchcords.....4
QuadraPaddle™ Modules.....5
PCB Adapter Solutions.....6
PCB Adapter Kits.....8
Adapter Pin Configurations.....9
VXI Adapter Solutions.....10
Tools.....11

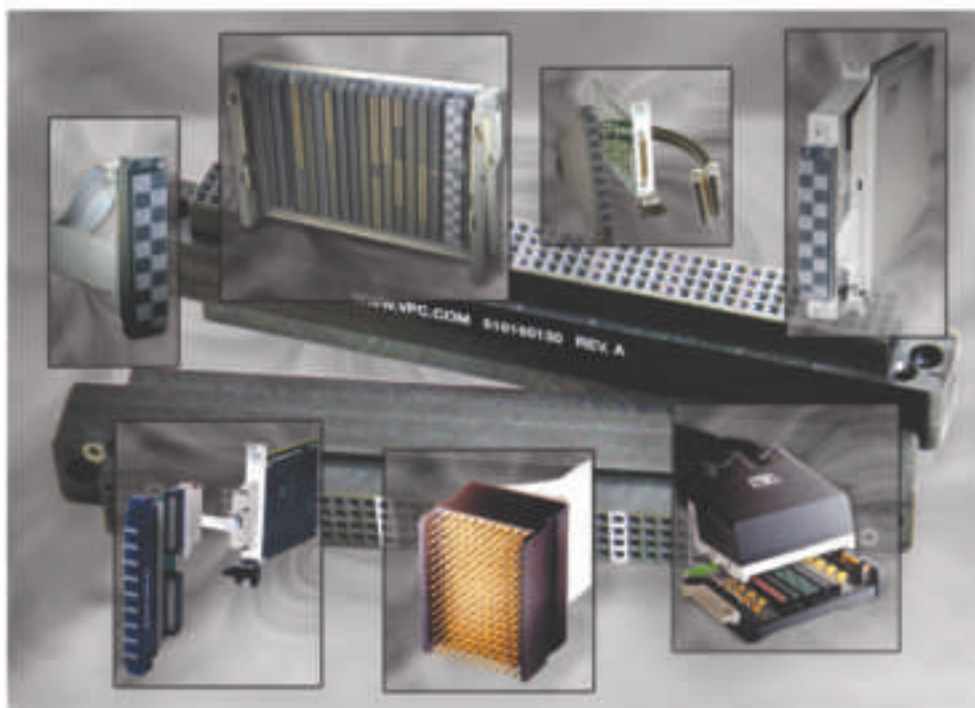
QuadraPaddle™ Solutions



Infinite Applications

Infinite Configurations

Infinite Possibilities



QuadraPaddle™ Technology

QuadraPaddle™ Mass InterConnect Solutions

VPC QUADRAPADDLE™ TECHNOLOGY

QuadraPaddle™ technology from Virginia Panel Corporation allows infinite configuration possibilities for Test & Measurement interconnectivity. Our innovative contact designs are engineered to accommodate a variety of connection options. High density 192 and 480 pin modules molded on 100" (2.54 mm) centers provide seamless integration with COTS products, fit all standard VPC Mass InterConnect Systems, and allow consolidation of multiple instrument connections within the space of a single or double receiver interface position.

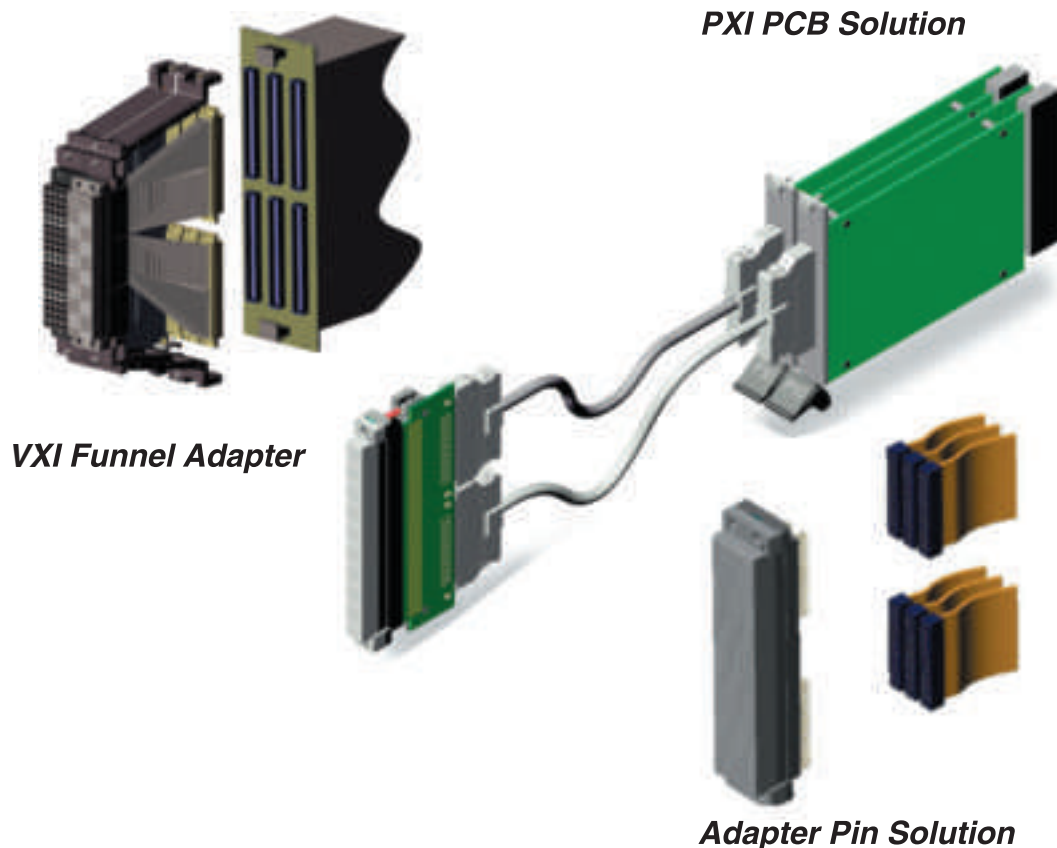


QuadraPaddle™ Technology Provides 4 Points of Reliable Contact

Contact Specifications

Operating Voltage & Current	3 Amps Max. Continuous 1250 VAC Max.
Contact Resistance	25 mOhms Max. Measured at 50 mV @ 100 mA
Insertion Force	2 oz. Nominal
Dielectric Withstanding Voltage (DWV)	1500 VDC Min.
Insulation Resistance	5000 MOhms Min.
Contact Body	Female (RCV) – BeCu (Twin Female) BeCu/PhBrz (Crimp) Male (ITA) – Brass
Contact Plating	Female (RCV) – 50μ" Au over 100μ" Ni Male (ITA) – 30μ" Au over 100μ" Ni
Cycle Life	20,000+ Mating/Unmating Cycles

Applications



QuadraPaddle™ Mass InterConnect Solutions

CONTACTS & PATCHCORDS

QUADRAPADDLE™ SIGNAL

VPC's QuadraPaddle™ contacts are available in pre-made patchcord configurations to reduce setup and avoid time spent preparing wire and crimping contacts.

Available in twin female, crimp/solder, twin male, and wire wrap designs, QuadraPaddle™ contacts are engineered for flexible interconnect options. Rated at 3 amps continuous (1250 VAC) with a 2 ounce insertion force, QuadraPaddle™ provides 4 reliable points of contact per pin, outstanding electrical performance, and low mating force.



P/N 610 138 100



P/N 610 138 115



P/N 610 138 116



P/N 610 138 109



P/N 610 138 117 / 118



P/N 610 138 112

QUADRAPADDLE™ SIGNAL CONTACTS 3 AMP

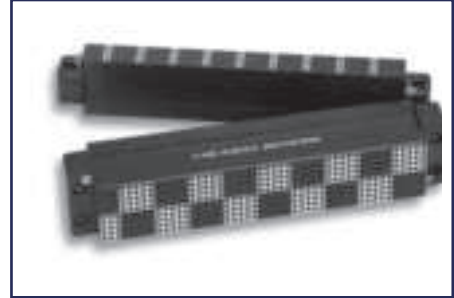
P/N	Description	Used in Module
Receiver Contacts, QuadraPaddle™ Signal – 3 Amp		
610 138 116	RCVR Contact, female 22-28 AWG, crimp	510 150 115, 510 150 116
610 138 100	RCVR Contact Twin Female - Replacement Contact Accepts .100" (2.54 mm) standard male connectors	
610 138 117	RCVR contact, Adapter Pin, Round Post, Converts twin female contact to female - male contact	
610 138 118	RCVR Contact, Adapter Pin, Square Post, Converts twin female contact to female-male contact	
ITA Contacts, QuadraPaddle™ Signal – 3 Amp		
610 138 115	ITA Contact, Round Post Twin Male Accepts .100" (2.54 mm) standard female connectors	510 151 105, 510 151 106
610 138 109	ITA Contact, male 22-24 AWG, crimp/solder	510 151 105, 510 151 106
610 138 112	ITA Contact, male 26-28 AWG, crimp	510 151 105, 510 151 106

QUADRAPADDLE™ SIGNAL PATCHCORDS 3 AMP

P/N	Description	Uses Contact
Receiver		
720 108 101	Patchcord, RCVR, 36" 24 AWG, single-ended, stranded	610 138 116
ITA		
720 109 101	Patchcord, ITA, 36" 24 AWG, single-ended, stranded	610 138 109
720 109 102	Patchcord, ITA, 36" 26 AWG single-ended, solid, wire wrap	610 138 112

SIGNAL MODULES

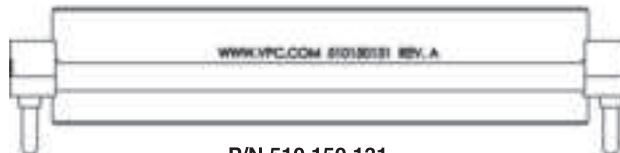
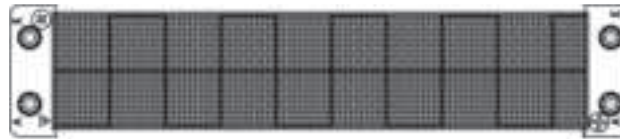
With 192 or 480 pins for high-density interconnection, QuadraPaddle™ modules are molded on .100" (2.54mm) centers to allow rapid integration with commercially available off-the-shelf connectors. Available with twin female or discrete-wired housings, QuadraPaddle™ modules allow consolidation of multiple instrument connections in virtually any configuration. Molded from LCP with reference letters and screening for ease of integration, QuadraPaddle™ modules add increased versatility to meet the next generation of Mass InterConnect requirements.



SIGNAL MODULE - 192 PIN

P/N 510 150 130

P/N	Description
Receiver Modules	
510 150 130	RCVR Module 192 Position Twin Female, fully loaded with 610138100 twin female contacts
510 150 115	RCVR Module 192 Position Female, Wire Crimp, unloaded
ITA Modules	
510 151 105	ITA Module 192 Position Male, unloaded
510 151 107	ITA Module 192 Position Round Post, fully loaded with 610138115 twin male contacts
510 151 113	ITA Module 192 Position Square Post, Press Fit, fully loaded with 610138119 male wire wrap contacts



P/N 510 150 131

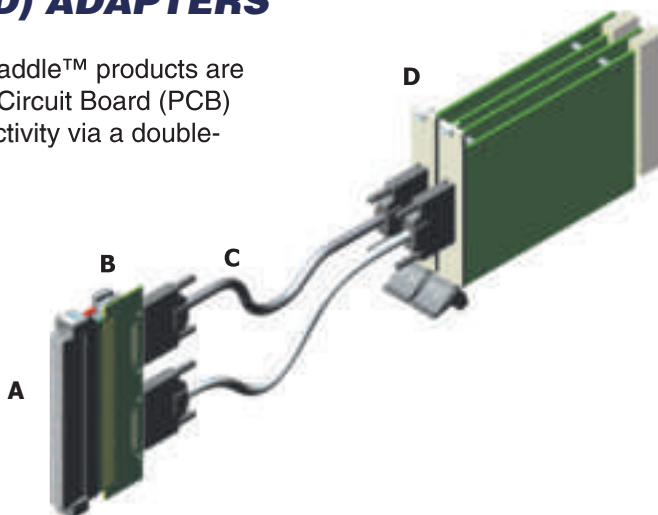
SIGNAL MODULE - 480 PIN

P/N	Description
Receiver Modules	
510 150 131	RCVR Module 480 Position Twin Female, fully loaded with 610138100 twin female contacts
510 150 135	RCVR Module, 480 Position Round Post, fully loaded with 610138100 twin female to 610138117 male adapter contacts
510 150 116	RCVR Module 480 Position Female, Wire Crimp, unloaded
ITA Modules	
510 151 106	ITA Module 480 Position Male, unloaded
510 151 108	ITA Module 480 Position Round Post, fully loaded with 610138115 twin male contacts
510 151 114	ITA Module 480 Position Square Post, Press Fit, fully loaded with 610138119 male wire wrap contacts

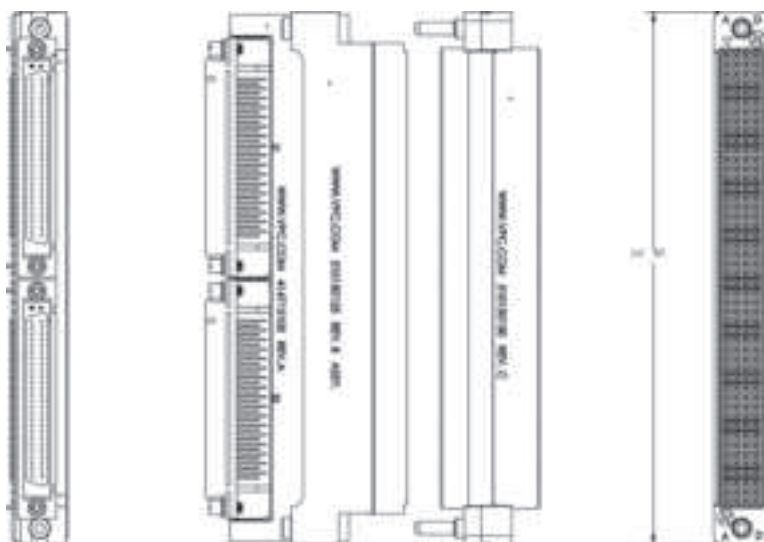
PCB (PRINTED CIRCUIT BOARD) ADAPTERS

For reduced wiring and ease of integration, QuadraPaddle™ products are available in configurations that incorporate a Printed Circuit Board (PCB) with standard SCSI connectors that allow interconnectivity via a double-ended standard cable!

- A. 192 Pin Twin Female Receiver Module
- B. PCB Adapter to 2 X 68 Pin SCSI Connector
- C. Double-ended Cable Assembly
- D. PXI Instrument Card



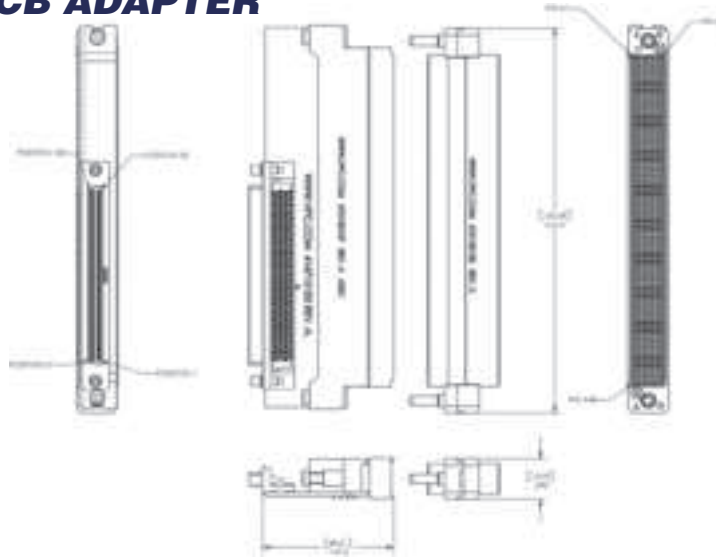
2X68 SCSI PCB ADAPTER



P/N 510 150 125

P/N	Description
2 X 68 SCSI PCB Adapter	
510 150 125	Receiver Module, 192 Position to PCB-mounted 2 X 68 pin Male SCSI Connectors
Standard Cables for PCB Adapters - 18"	
515 109 113	Cable Assembly, 68 Pin Female SCSI (Thumb Screws) to 68 Pin Male VHDCI (Thumb Screws)
515 109 117	Cable Assembly, 68 Pin Female SCSI (Thumb Screws) to 68 Pin Female SCSI (Thumb Screws)
515 109 119	Cable Assembly, 68 Pin Female SCSI (Thumb Screws) to 68 Pin Male SCSI (Spring Latch)
515 109 121	Cable Assembly, 68 Pin Female SCSI (Thumb Screws) to 68 Pin Male SCSI (Thumb Screws)
515 109 130	Cable Assembly, 68 Pin Female SCSI (Thumb Screws) to 68 Pin Female SCSI (Spring Latch)
Standard Cables for PCB Adapters - 36"	
515 109 114	Cable Assembly, 68 Pin Female SCSI (Thumb Screws) to 68 Pin Male VHDCI (Thumb Screws)
515 109 118	Cable Assembly, 68 Pin Female SCSI (Thumb Screws) to 68 Pin Female SCSI (Thumb Screws)
515 109 120	Cable Assembly, 68 Pin Female SCSI (Thumb Screws) to 68 Pin Male SCSI (Spring Latch)
515 109 122	Cable Assembly, 68 Pin Female SCSI (Thumb Screws) to 68 Pin Male SCSI (Thumb Screws)
515 109 131	Cable Assembly, 68 Pin Female SCSI (Thumb Screws) to 68 Pin Female SCSI (Spring Latch)
Custom cable assemblies for specific PXI and VXI instrument cards are available: www.vpc.com	

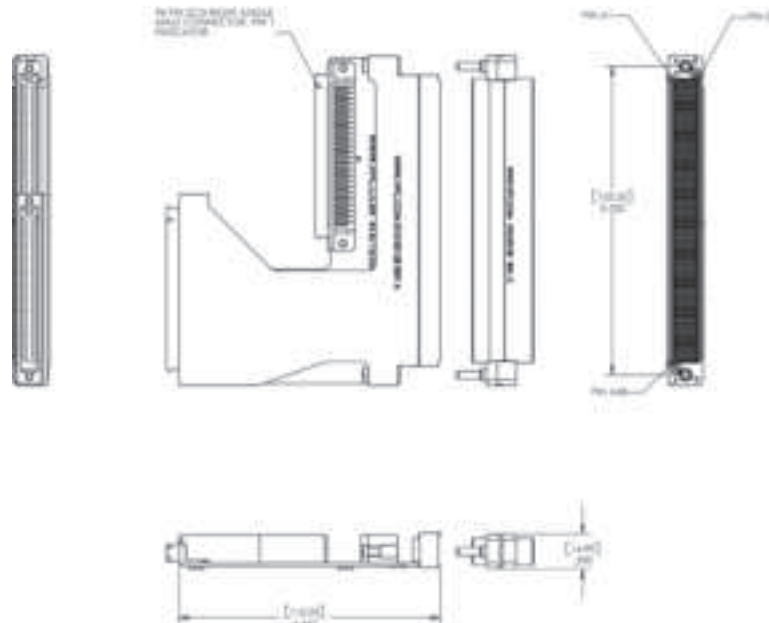
1X100 SCSI PCB ADAPTER



PN 510 150 127

P/N	Description
1 X 100 SCSI PCB Adapter	
510 150 127	Receiver Module 192 Position to PCB-mounted 1 x 100 pin Female SCSI Connector
515 109 133	Cable Assembly, 100 Pin Male SCSI (Thumb Screws) to 100 Pin Male SCSI (Spring Latch), 18"
515 109 134	Cable Assembly, 100 Pin Male SCSI (Thumb Screws) to 100 Pin Male SCSI (Spring Latch), 36"
<i>Custom cable assemblies for specific PXI and VXI instrument cards are available: www.vpc.com</i>	

2X96 SCSI PCB ADAPTER

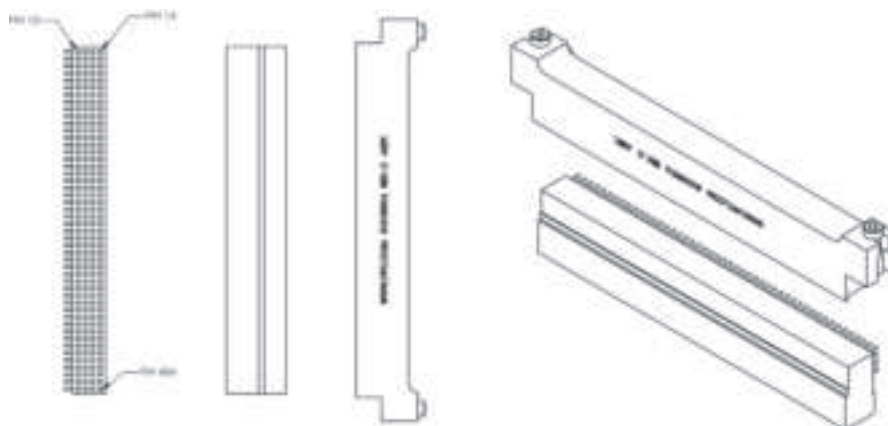


PN 510 150 128

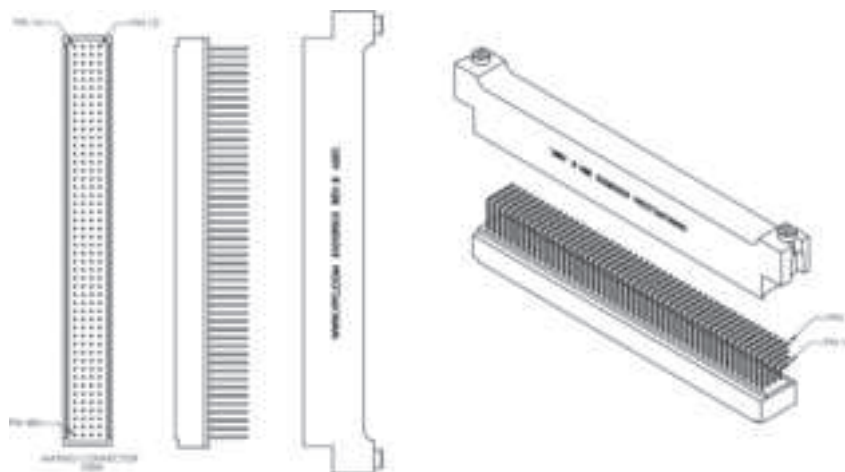
P/N	Description
2 X 96 SCSI PCB Adapter	
510 150 128	Receiver Module 192 Position to PCB-mounted 2 x 96 pin Male SCSI Connectors
515 109 007	Cable Assembly, 96 Pin Female SCSI (Spring Latch) to 96 Pin Female SCSI (Spring Latch), 18"
515 109 008	Cable Assembly, 96 Pin Female SCSI (Spring Latch) to 96 Pin Female SCSI (Spring Latch), 36"
<i>Custom cable assemblies for specific PXI and VXI instrument cards are available: www.vpc.com</i>	

PCB ADAPTER KITS

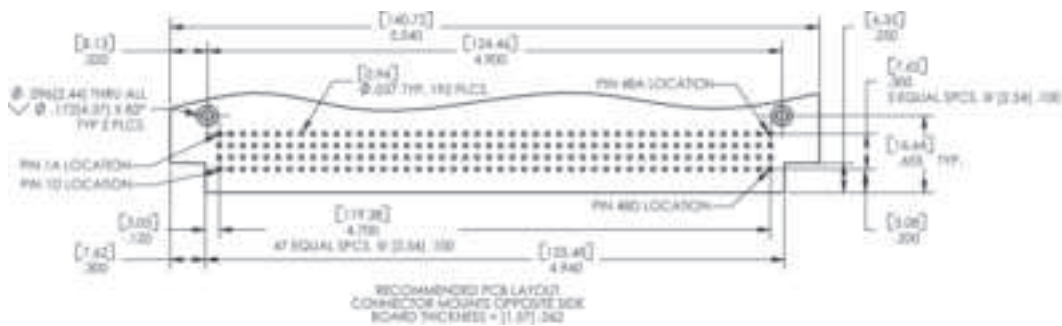
For customized configurations, VPC offers a PCB adapter kit consisting of a male header and shroud kit for receiver-side applications and female header and shroud kit for ITA-side applications. This offers the flexibility to accommodate special requirements not addressed by VPC's standard product offering. Board schematics, mounting hardware, and mounting tool are included.



510 109 316



510 109 315

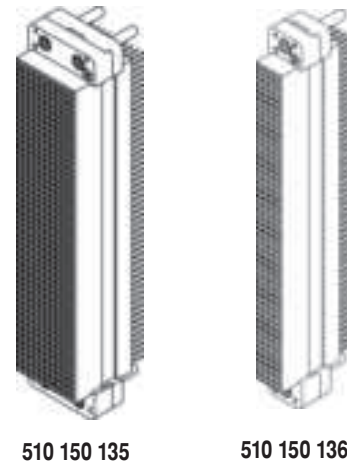
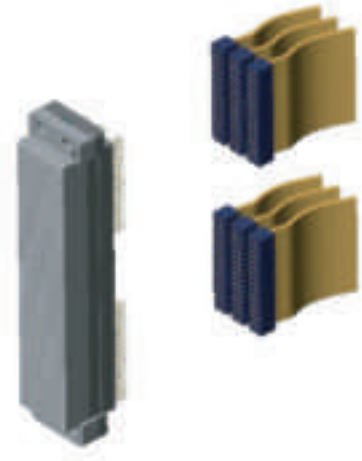
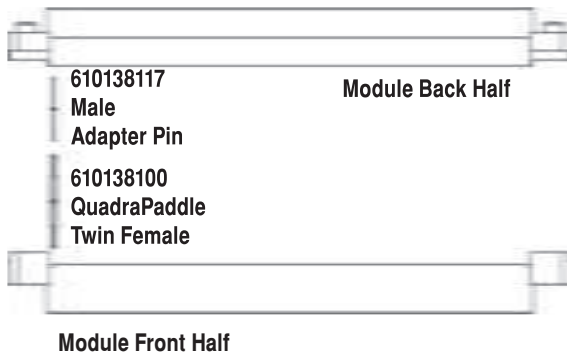


P/N	Description
PCB Adapter Kits for Custom Designed PCB InterConnect	
510 109 315	192 Pin Receiver Right Angle Male Header/Shroud Kit (for customer designed PCB)
510 109 316	192 Pin ITA Right Angle Female Header/Shroud Kit (for customer designed PCB)

ADAPTABLE CONNECTIVITY

VPC's adapter contacts allow flexible configuration capabilities including wire-wrap and direct plug-on connections. Available in 192 and 480 contact positions, QuadraPaddle™ modules accept standard .100" (2.54mm) pitch headers, breadboards, and connectors for ribbon cable and other connections.

Pre-loaded modules are available for standard applications or individual contacts and modules can be purchased for custom applications.

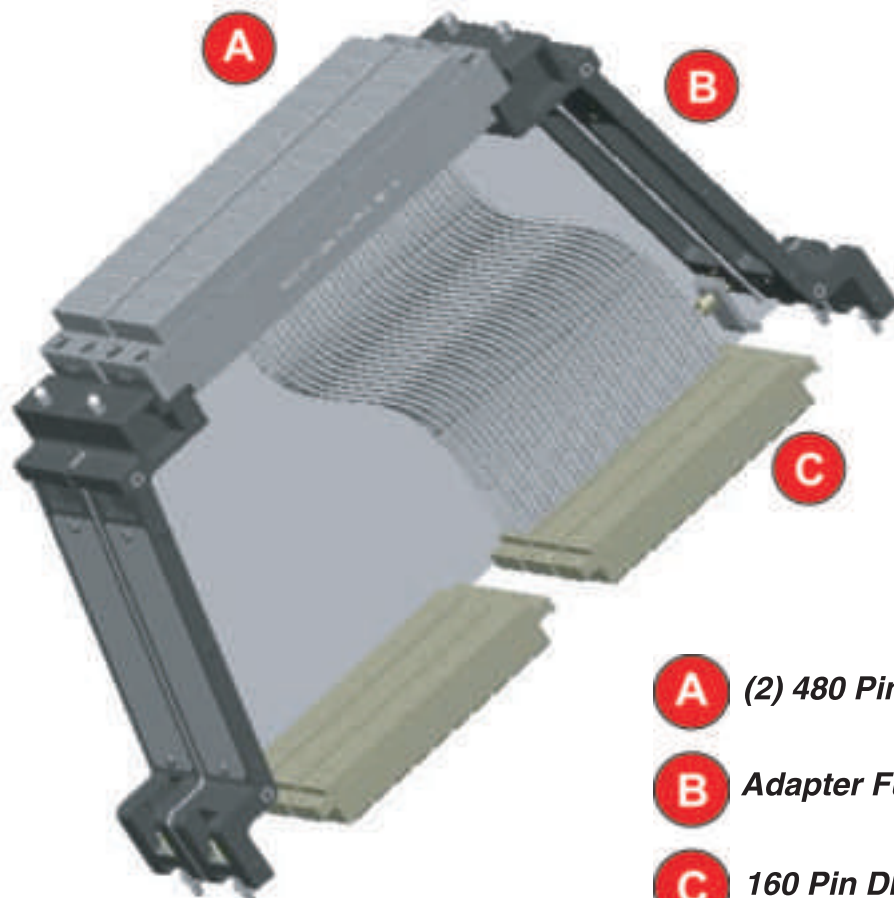
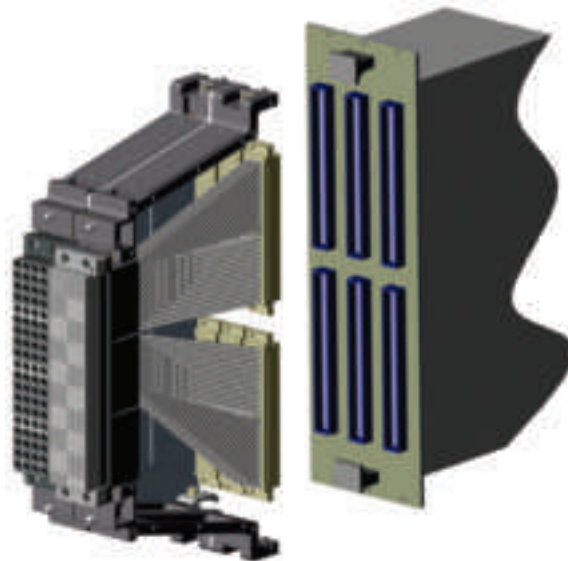


P/N	Description
Receiver Modules for Standard Applications	
510 150 133	RCVR Module 480 Position Twin Female, select loaded 6 rows 2 X 17 male round post adapter pins
510 150 134	RCVR Module 480 Position Twin Female, select loaded 16 rows 2 X 10 male round post adapter pins
510 150 135	RCVR Module 480 Position Twin Female, fully loaded 480 male round post adapter pins
510 150 136	RCVR Module 192 Position Twin Female, fully loaded 192 male round post adapter pins
Receiver Modules and Contacts for Custom Applications	
510 150 130	RCVR Module 192 Position Twin Female, fully loaded with 610138100 twin female contacts (for custom applications)
510 150 131	RCVR Module 480 Position Twin Female, fully loaded with 610138100 twin female contacts (for custom applications)
610 138 117	RCVR Contact Adapter Pin, Round Post for Plug-on Applications
610 138 118	RCVR Contact Adapter Pin, Square post for Wire Wrap Applications
ITA Modules for Standard Applications	
510 151 107	ITA Module 192 Position Round Post, fully loaded with 610138115 twin male contacts
510 151 108	ITA Module 480 Position Round Post, fully loaded with 610138115 twin male contacts
510 151 113	ITA Module 192 Position Square Post, Press Fit, fully loaded with 610138119 male wire wrap contacts
510 151 114	ITA Module 480 Position Square Post, Press Fit, fully loaded with 610138119 male wire wrap contacts
ITA Modules and Contacts for Custom Applications	
510 151 105	ITA Module 192 Position Male, unloaded
510 151 106	ITA Module 480 Position Male, unloaded
610 138 115	ITA Contact, Round Post Twin Male

VXI ADAPTERS & CABLE ASSEMBLIES

With a long history of support for the VXI platform, Virginia Panel Corporation offers innovative high-density VXI solutions from the new QuadraPaddle™ product family. With versatile wiring adapters configured for specific instruments and “plug & play” cable assemblies available in multiple lengths, QuadraPaddle™ solutions enable rapid and reliable VXI InterConnectivity to meet any ATE requirements.

Visit www.vpc.com for more information on VXI adapter configurations for custom applications or for specific VXI instruments.



960 Pin Adapter Funnel

- A** (2) 480 Pin Modules
- B** Adapter Funnel Assembly
- C** 160 Pin DIN Connectors

CONTACT EXTRACTION TOOLS QUADRAPADDLE™

Virginia Panel Corporation offers a complete line of Tools to assist in system configuration.



EXTRACTION TOOLS

P/N	Description	For Contacts
Extraction Tools		
910 110 111	ITA Signal Contact Extraction Tool	610138109, 610138111, 610138112, 610138114, 610138115
910 110 112	RCVR Signal Contact Extraction Tool	610138116

CRIMP TOOLS

P/N	Description	For Contacts
Crimp Tools		
910 101 125	Crimp Tool, QuadraPaddle RCVR Contact	610138116
910 101 103	Crimp Tool, QuadraPaddle ITA Contact	610138109, 610138112

CRIMP DIE/LOCATOR

P/N	Description	For Contacts
Crimp Die/Locator		
910 104 140	ITA Crimp Locator Die 22-28 AWG	610138109, 610138112