

TABLE OF CONTENTS

18 Module - Gemini Solution	4
Receiver and Interchangeable Test Adapter (ITA)	4
Receiver	4
Receiver Protective Cover	4
Vertical Hinged Mounting Frames	4
ITA Enclosure	4
ITA Protective Cover	4
Blank Module	4
Chassis Mount Flange Kits	4
10 Module - Gemini Solution	6
Receiver	6
Receiver Protective Cover	6
Vertical Hinged Mounting Frames	6
Interchangeable Test Adapter (ITA) with enclosure	6
ITA Protective Cover	6
Blank Module	6
Chassis Mount Flange Kits	6
ITA Edge Card Fixturing	7
6 Module - Gemini Solution	8
Receiver	8
Receiver Protective Cover	8
Vertical Hinged Mounting Frame	8
Interchangeable Test Adapter (ITA) with enclosure	8
ITA Protective Cover	8
Blank Module	8
Chassis Mount Flange Kits	8
Cable Assemblies	10
20" Cable Assemblies	10-13
ITA Mating Modules and ITA Patchcords	14
Signal Modules	14
Signal/Power and Signal/Coax Modules	15
Mini Coaxial Module	15
CLICK™ Solution	16
Receiver and Interface Device (ID)	16
ID/Receiver Protective Cover	16
Vertical Hinged Mounting Frame	16
ID	16
ID Protective Cover	16
CLICK Cable Assemblies, ID Mating Modules and ID Patchcords	17
Chassis Mount Flange Kits	17
Tools	18
Part Number Index	19-20

PXI MASS INTERCONNECT SOLUTIONS FEATURES

Virginia Panel Corporation is the world's leading supplier of Mass InterConnect Solutions to the Automatic Test Equipment (ATE) Industry. Mass InterConnect Solutions allow simultaneous connection of a multitude of digital, analog, RF, power, and fiber optic signals through one simple device. Virginia Panel Mass InterConnect Solutions provide fast and reliable "unit under test" changeover, reduced test costs and improved production throughput. Virginia Panel solutions accommodate a wide range of ATE chassis sizes/configurations including PXI, SCXI and VXI applications. These solutions afford modular flexibility and address a wide range of signal, power, coaxial, fiber optic and pneumatic I/O requirements. High performance cable assemblies and patchcords ensure quality connections and fast assembly of your Mass InterConnect Solution.



FEATURES

- Mass InterConnect Technology
- 6, 10 and 18 module configurations
- Signal, Power, Coax, Fiber Optic, Thermocouple, Pneumatic I/O capabilities
- WIRE+ cable assemblies and patchcords
- Rack Mount or Chassis Mount
- Unique VPC TAC™ contacts
- Gemini 6 & 10 ITA with removable cover
- Large, adjustable cable clamps on the Gemini 6 & 10 ITAs
- Fixturing options

BENEFITS

- Saves significant time versus traditional discrete interconnect approaches
- Multiple solutions to accommodate ATE industry standard chassis configuration
- Widest range of I/O in the industry
- Simple ATE connections with high quality, cost effective and reliable, "off-the-shelf" wiring solutions
- Choice of mounting options to meet specific application requirements
- Mate directly to PCB (Printed Circuit Board) creating true wireless solutions
- Slides open for easy access to modules and contacts without disengaging from the system
- Organizes wiring and accommodates various size cable bundles
- Provides a platform for various test applications

VPC's CONNECTOR TECHNOLOGY Gemini 2106 & 2110

ITA with Removable Cover

The unique, 2-piece styled enclosure features:

- Large, adjustable cable clamps for organizing & managing wire cable bundles
- EMI-shielded cover
- Sliding, removable cover, allowing easy access to modules & patchcords
- Troubleshooting capabilities without disengaging the system



Receivers - Versatile, Hi-Density

18, 10 & 6 Gemini Receivers feature:

- 2118 and 2110 systems have PCB capabilities
- Integration of signal, coax, power, fiber optic, pneumatic, and thermo couple contacts in unlimited module configurations
- The locking handle simultaneously engages multiple test connections
- Combines VPC pin & socket and VPC TAC™ technology
- Sleek styling



Fixturing Solutions

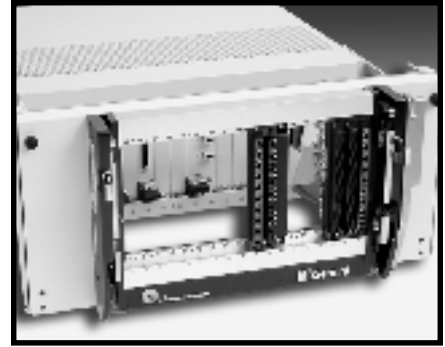
VPC fixturing options include:

- ITA with removable cover
- Edge Card Fixturing
- Integration with fixture box for customer customization
- Adjustable edge card adapter that can accommodate various size cards
- Provision for a platform for various test applications



18 MODULE SOLUTION

The 18 module Gemini provides a solution that will accommodate larger PXI chassis'. It allows immense versatility by affording space for up to an 18 slot PXI chassis. The 18 module solution has a Vertical Hinged Mounting Frame suitable for Rack or Chassis mount applications. This enables easy access to the PXI instruments while providing the customer with a complete solution that is simple, modular, and reconfigurable.



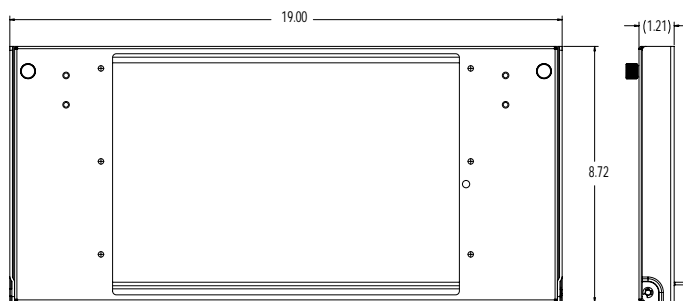
P/N	Description
-----	-------------

Required Components

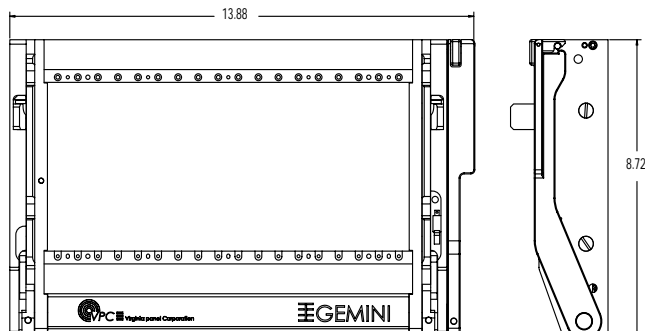
310 113 322	5U Vertical Hinged Mounting Frame for 19" Rack 9U Vertical Hinged Mounting Frame for 19" Rack for PCB capability (P/N 310 113 328)
310 120 101	18 Module Receiver single tier for discrete wire and PCB capability
540 xxx xxx	Receiver Module Cable Assemblies - <i>see pgs. 10-15</i>
510 xxx xxx	Mating ITA Module - <i>see pgs. 10-15</i>
720 xxx xxx	ITA Patchcords - <i>see pgs. 10-15</i>
410 120 101	ITA
410 112 527	ITA Enclosure <i>Consult VPC for alternative ITA/PCB fixturing options</i>

Accessories

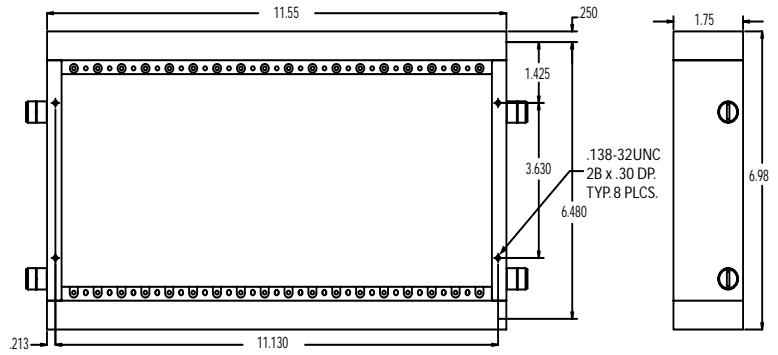
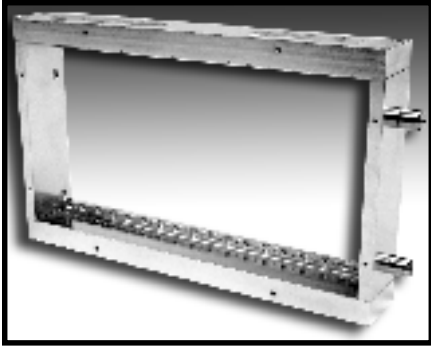
310 113 327	Receiver Protective Cover
410 112 541	ITA Protective Cover
510 104 118	Blank Module
111 107 138	Universal Card Adapter Kit
310 113 370	Chassis Mount Flange Kit for National Instruments PXI-1006, 18 Slot Chassis
310 113 371	Chassis Mount Flange Kit for Pickering 40-930, 18 Slot Chassis
310 113 374	Chassis Mount Flange Kit for PXIT 2000-514A/B, 14 Slot Chassis <i>Contact VPC for other mounting flange requirements.</i> <i>Most items typically available within 2-3 weeks</i>



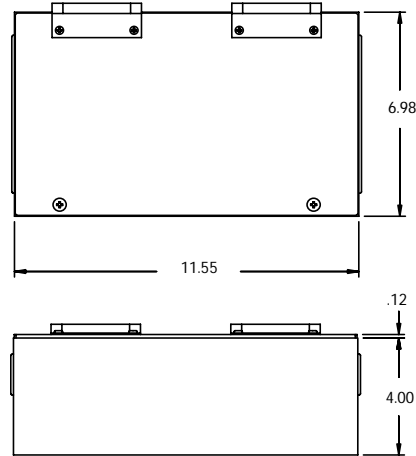
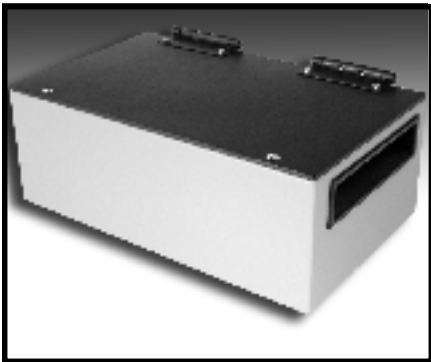
18 Module 5U Vertical Hinged Mounting Frame for 19" Rack - P/N 310 113 322



18 Module Receiver P/N 310 120 101



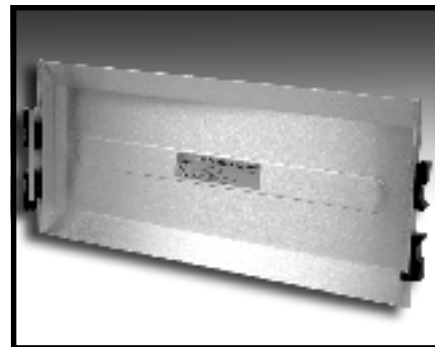
18 Module Interchangeable Test Adapter (ITA) - P/N 410 120 101



18 Module Interchangeable Test Adapter (ITA) Enclosure - P/N 410 112 527



*18 Module Receiver Protective Cover
P/N 310 113 327*



*18 Module ITA Protective Cover
P/N 410 112 541*

10 MODULE SOLUTION

The 10 module solution provides great reliability while simultaneously engaging up to 1280 signal contacts. The versatile system integrates signal, coax, power, fiber optic, pneumatic, and thermocouple contacts in unlimited module configurations. The unique, two-piece, EMI-shielded ITA/ Enclosure features large adjustable cable clamps and slides open for easy access to modules and contacts. VPC has cable assemblies that mate to most PXI cards. True wireless interconnect solutions can be created using VPC's TAC™ contacts that mate directly to a PCB (Printed Circuit Board). Fixturing options-see pg. 7.



P/N	Description
-----	-------------

Required Components

- 310 113 342 5U Vertical Hinged Mounting Frame
- 310 104 317 Receiver, 10 Module
- 540 xxx xxx Receiver Module Cable Assemblies - *see pgs. 10-15*
- 510 xxx xxx Mating ITA Module - *see pgs. 10-15*
- 720 xxx xxx ITA Patchcords - *see pgs. 10-15*
- 410 104 272 ITA with removable cover

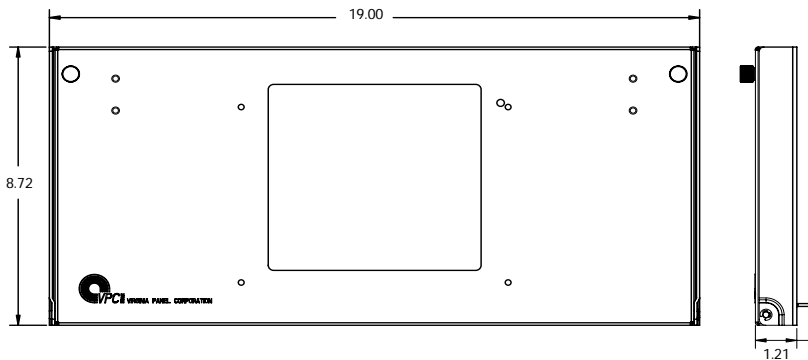
Required Components - PCB Capability

- 310 113 382 9U Vertical Hinged Mounting Frame for 19" Rack
- 310 104 314 Receiver, 10 Module with PCB capability
- 410 104 270 ITA with removable cover, with PCB capability

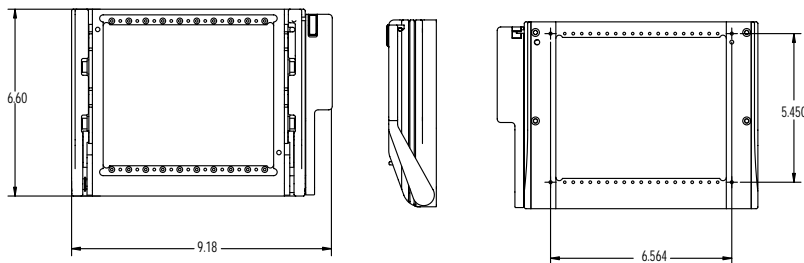
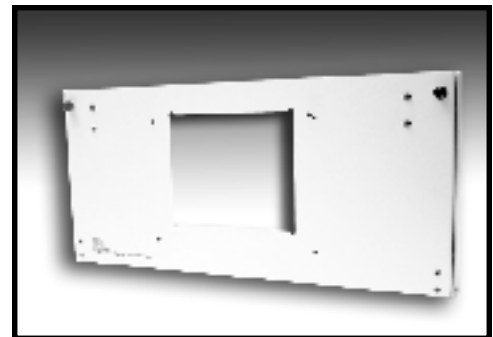
Accessories

- 310 113 154 Receiver Protective Cover
- 410 112 299 ITA Protective Cover
- 510 104 118 Blank Module
- 310 113 370 Chassis Mount Flange Kit for National Instruments PXI-1006, 18 Slot Chassis
- 310 113 371 Chassis Mount Flange Kit for Pickering 40-930, 18 Slot Chassis
- 310 113 374 Chassis Mount Flange Kit for PXIT 2000-514A/B, 14 Slot Chassis

*Contact VPC for other mounting flange requirements.
Most items typically available within 2-3 weeks*



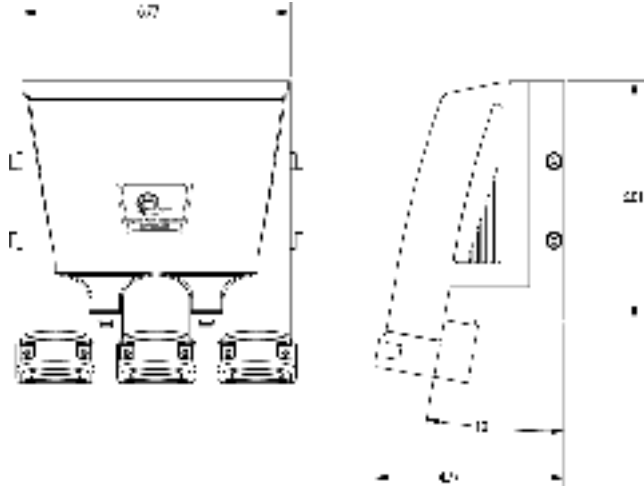
10 Module Vertical Hinged Mounting Frame - P/N 310 113 342



10 Module Receiver - P/N 310 104 314 shown with PCB capability

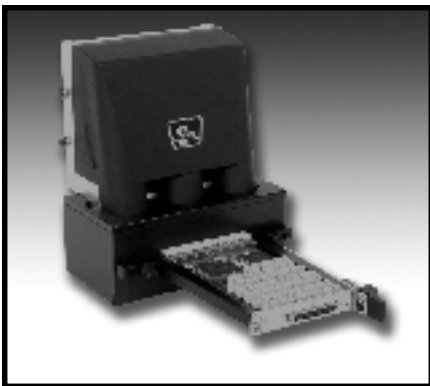


P/N 310 104 314



10 Module Interchangeable Test Adapter (ITA) with Sliding, Removable Cover- P/N 410 104 272

10 Module Interchangeable Test Adapter (ITA) with Sliding, Removable Cover and PCB capability - P/N 410 104 270



10 Module Edge Card Fixturing- P/N 410 104 280

FIXTURING OPTIONS

VPC's fixturing options include the ITA with removable cover and integration with a fixture box. This allows you to customize a solution to fit their unique application. Also available is a fixture box with an adjustable edge card adapter that can accommodate various size cards .

P/N	Description
410 104 278	ITA w/fixture box
410 104 280	ITA w/fixture box w/edge card

Consult VPC for alternative ITA/PCB fixturing options



*10 Module Receiver Protective Cover
P/N 310 113 154*



*10 Module ITA Protective Cover
P/N 410 112 299*

6 MODULE SOLUTION

The 6 module Gemini solution provides versatility on a small footprint. This small, high-density receiver can simultaneously engage up to 768 signal contacts. The adaptable 6 module integrates signal, coax, power, fiber optic, pneumatic, and thermocouple contacts in unlimited module configurations. The contacts are incorporated into cable assemblies for specific PXI cards. The Vertical Hinged Mounting Frame is suitable for Rack or Chassis mount applications. The ITA has a unique, removable two-piece, EMI-shielded cover which allows easy access to the modules and contacts providing the customer with a complete solution that is simple, modular, reconfigurable and accessible.



P/N	Description
-----	-------------

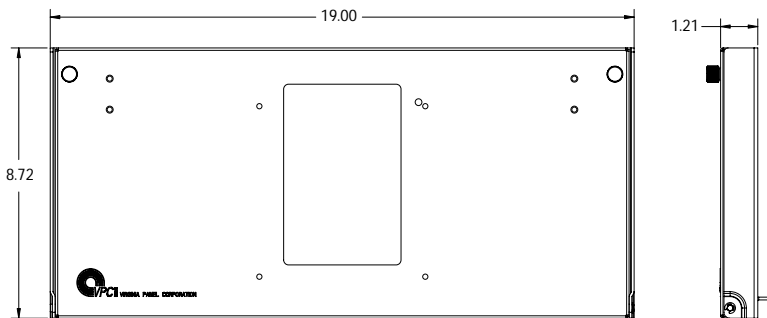
Required Components

310 113 341	5U Vertical Hinged Mounting Frame
310 104 318	Receiver, 6 Module
540 xxx xxx	Receiver Module Cable Assemblies - <i>see pgs. 10-15</i>
510 xxx xxx	Mating ITA Module - <i>see pgs. 10-15</i>
720 xxx xxx	ITA Patchcords - <i>see pgs. 10-15</i>
410 104 273	ITA with removable cover

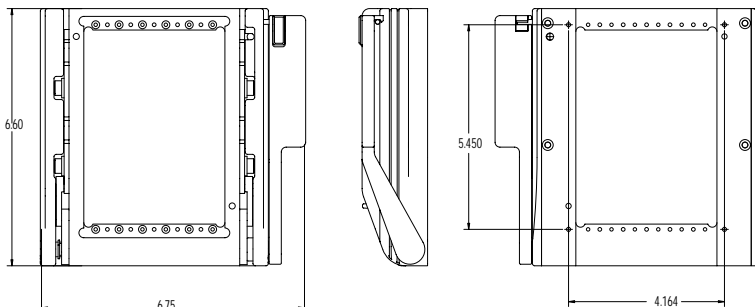
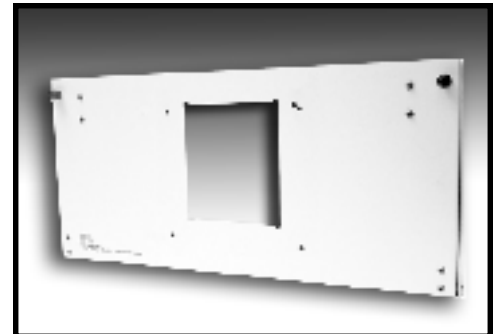
Accessories

310 113 158	Receiver Protective Cover
410 112 296	ITA Protective Cover
510 104 118	Blank Module
310 113 370	Chassis Mount Flange Kit for National Instruments PXI-1006, 18 Slot Chassis
310 113 371	Chassis Mount Flange Kit for Pickering 40-930, 18 Slot Chassis
310 113 374	Chassis Mount Flange Kit for PXIT 2000-514A/B, 14 Slot Chassis

*Contact VPC for other mounting flange requirements.
Most items typically available within 2-3 weeks*

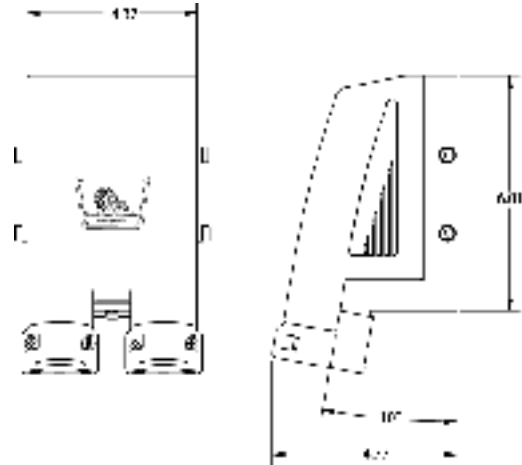
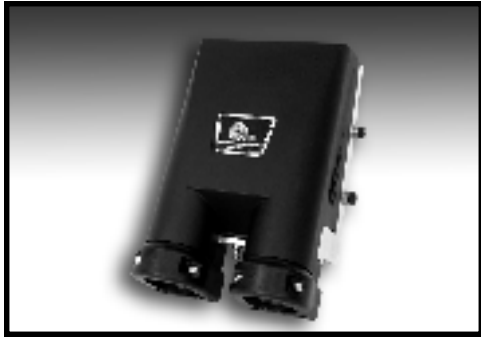


6 Module Vertical Hinged Mounting Frame - P/N 310 113 341



6 Module Receiver - P/N 310 104 318





6 Module Interchangeable Test Adapter (ITA) with Sliding, Removable Cover- P/N 410 104 273



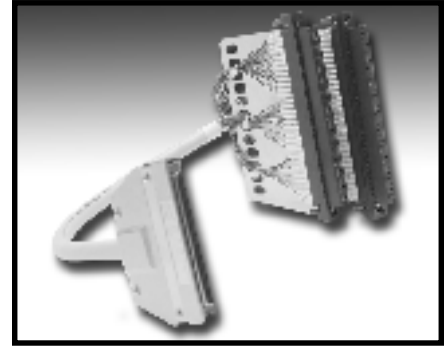
*6 Module Receiver Protective Cover
P/N 310 113 158*



*6 Module ITA Protective Cover
P/N 410 112 296*

CABLE ASSEMBLIES

VPC provides ready-to-use cable assemblies to connect between the standard connectors used on PXI cards and the VPC Receiver. One end of the cable is connected to the PXI instrument; the other is installed into the receiver providing a fast, efficient, reliable connection. Use them to mass interconnect a PXI or PXI/SCXI system and make the most of your application!



www.vpc.com/pxi/configurator



VPC's PXI Configurator streamlines the process of finding the right part numbers needed to make your connections.

- 1.) Choose the manufacturer for the PXI card you are using.
- 2.) Choose your card number from the drop down menu
- 3.) Displayed are the results. You see the VPC Receiver Cable Assembly part number, the mating ITA module, and the corresponding ITA patchcords.

What could be easier – configure your system today!!

Can't find your card listed? Please call the factory or go to the Configurator on the VPC website: www.vpc.com/pxi/configurator

Card Manufacturer

VPC Part Number

Card Manufacturer	20" RCVR Cable Assembly	VPC ITA Mating Module	36" ITA Patchcords	ITA Patchcords Max QTY
Ascor				
7011	540 020 010 101	510 108 101	720 101 101-Signal, 24 AWG	50
7017	540 020 010 101	510 108 101	720 101 101-Signal, 24 AWG	50
C & H				
PX403S	540 045 010 102	2-510 108 101	720 101 101-Signal, 24 AWG	100
Condor				
CEI-620-1508-J	540 001 010 102	510 108 101	720 101 101-Signal, 24 AWG	100
CEI-600-3-TO 8 port RS-422	540 001 010 102	510 108 101	720 101 101-Signal, 24 AWG	100
Geotest				
SMX2040	540 039 010 111	510 108 210	720 101 101-Signal, 24 AWG 716 101 175-Mini Pwr/16 AWG	9 4
SMX2044	540 039 010 111	510 108 210	720 101 101-Signal, 24 AWG 716 101 175-Mini Pwr/16 AWG	9 4
DC110	540 044 010 107	510 108 111	710 102 137-Mini Coax, RG 316	2
LeCroy				
PXD222	540 044 010 107	510 108 111	720 102 137-Mini Coax, RG 316	2
Parker Hannifin				
NA CPCI-75SD1	540 018 020 101	510 108 101	720 101 101-Signal, 24 AWG 720 101 215- Twisted Pair, 24 AWG	32 9
NA CPCI-75DS1	540 016 020 101	510 108 101	720 101 101-Signal, 24 AWG 720 101 215- Twisted Pair, 24 AWG	16 5
PXIT				
PX-2000-101	540 002 010 103	510 108 126	720 101 101-Signal, 24 AWG	68
PX-2000-102	540 003 010 103	510 108 126	720 101 101-Signal, 24 AWG	96
PX-2000-103	540 016 010 101	510 108 101	720 101 101-Signal, 24 AWG	37
PX-2000-104	540 046 010 101	510 108 101	720 101 101-Signal, 24 AWG	62
PX-2000-105	540 046 010 101	510 108 101	720 101 101-Signal, 24 AWG	62
PX-2000-106	540 003 010 103	510 108 126	720 101 101-Signal, 24 AWG	96

CABLE ASSEMBLIES CON'T

Can't find your card listed? Please call the factory or go to the Configurator on the VPC website: www.vpc.com/pxi/configurator

Card Manufacturer	VPC Part Number			
National Instruments	20" RCVR Cable Assembly	VPC ITA Mating Module	36" ITA Patchcords	ITA Patchcords Max QTY
NI 2501	540 002 010 103	510 108 126	720 101 101-Signal, 24 AWG	68
NI 2503	540 002 010 103	510 108 126	720 101 101-Signal, 24 AWG	68
NI 2590	540 038 010 107	510 108 111	710 102 137-Mini Coax, RG 316	5
NI 4351	540 002 010 103	510 108 126	720 101 101-Signal, 24 AWG	68
NI 5401	540 036 010 107	510 108 111	710 102 137-Mini Coax, RG 316	4
NI 5112	540 037 010 111	510 108 210	720 101 101-Signal, 24 AWG 710 102 137 -Mini Coax/RG 316	9 4
NI 5102	540 037 010 111	510 108 210	720 101 101-Signal, 24 AWG 710 102 137 -Mini Coax/RG 316	9 4
NI 2565	540 029 010 101	510 108 101	720 101 101-Signal, 24 AWG	16
PXI-6025E	540 009 010 102	2-510 108 101	720 101 101-Signal, 24 AWG	100
PXI-6030E	540 002 010 103	510 108 126	720 101 101-Signal, 24 AWG	68
PXI-6031E	540 009 010 102	2-510 108 101	720 101 101-Signal, 24 AWG	100
PXI-6040E	540 002 010 103	510 108 126	720 101 101-Signal, 24 AWG	68
PXI-6052E	540 002 010 103	510 108 126	720 101 101-Signal, 24 AWG	68
PXI-6070E	540 002 010 103	510 108 126	720 101 101-Signal, 24 AWG	68
PXI-6071E	540 009 010 102	2-510 108 101	720 101 101-Signal, 24 AWG	100
PXI-6115	540 002 010 103	510 108 126	720 101 101-Signal, 24 AWG	68
PXI-6711	540 002 010 103	510 108 126	720 101 101-Signal, 24 AWG	68
PXI-6713	540 002 010 103	510 108 126	720 101 101-Signal, 24 AWG	68
PXI-6704	540 002 010 103	510 108 126	720 101 101-Signal, 24 AWG	68
PXI-7030	540 002 010 103	510 108 126	720 101 101-Signal, 24 AWG	68
PXI-6602	540 002 010 103	510 108 126	720 101 101-Signal, 24 AWG	68
PXI-6608	540 002 010 103	510 108 126	720 101 101-Signal, 24 AWG	68
PXI-6533	540 002 010 103	510 108 126	720 101 101-Signal, 24 AWG	68
PXI-6534	540 002 010 103	510 108 126	720 101 101-Signal, 24 AWG	68
NI-4060	540 039 010 111	510 108 178	720 101 101-Signal, 24 AWG 716 101 175-Mini Pwr/16 AWG	9 4
PXI-8320	540 040 010 137	2-510 108 126	720 101 101-Signal, 24 AWG	144
PXI-8420 (16ports)	540 009 010 102	2-510 108 101	720 101 101-Signal, 24 AWG	100
PXI-8420 (8 ports)	540 002 010 103	510 108 126	720 101 101-Signal, 24 AWG	68
PXI-8420 (4 ports)	540 043 010 101	510 108 101	720 101 101-Signal, 24 AWG	40
PXI-8420 (2 ports)	540 041 010 101	510 108 101	720 101 101-Signal, 24 AWG	18
PXI-8422 (4 ports)	540 043 010 101	510 108 101	720 101 101-Signal, 24 AWG	40
PXI-8422 (2 ports)	540 043 101 001	510 108 101	720 101 101-Signal, 24 AWG	18
PXI-8421 (8 ports)	540 002 010 103	510 108 126	720 101 101-Signal, 24 AWG	68
PXI-8421 (4 ports)	540 043 010 101	510 108 101	720 101 101-Signal, 24 AWG	40
PXI-8421 (2 ports)	540 041 010 101	510 108 101	720 101 101-Signal, 24 AWG	18
PXI-8423 (4 ports)	540 043 010 101	510 108 101	720 101 101-Signal, 24 AWG	40
PXI-8423 (2 ports)	540 041 010 101	510 108 101	720 101 101-Signal, 24 AWG	18
PXI-8210	540 042 010 103	510 108 126	720 101 101-Signal, 24 AWG	78
PXI-8211	540 030 010 101	510 108 101	720 101 101-Signal, 24 AWG	68
PXI-6533	540 002 010 103	510 108 126	720 101 101-Signal, 24 AWG	68
PXI-6508	540 009 010 102	2-510 108 101	720 101 101-Signal, 24 AWG	100
PXI-6527	540 009 010 102	2-510 108 101	720 101 101-Signal, 24 AWG	100
PXI-6602	540 002 010 103	510 108 126	720 101 101-Signal, 24 AWG	68
PXI-6608	540 002 010 103	510 108 126	720 101 101-Signal, 24 AWG	68

CABLE ASSEMBLIES CON'T

Can't find your card listed? Please call the factory or go to the Configurator on the VPC website: www.vpc.com/pxi/configurator

Card Manufacturer	VPC Part Number			
Pickering	20" RCVR Cable Assembly	VPC ITA Mating Module	36" ITA Patchcords	ITA Patchcords Max QTY
40-110-021	540 003 010 103	510 108 126	720 101 101-Signal, 24 AWG	96
40-110-121	540 003 010 103	510 108 126	720 101 101-Signal, 24 AWG	96
40-115-021	540 003 010 103	510 108 126	720 101 101-Signal, 24 AWG	96
40-115-022	540 003 010 103	510 108 126	720 101 101-Signal, 24 AWG	96
40-115-121	540 003 010 103	510 108 126	720 101 101-Signal, 24 AWG	96
40-115-122	540 003 010 103	510 108 126	720 101 101-Signal, 24 AWG	96
40-125-021	540 003 010 103	510 108 126	720 101 101-Signal, 24 AWG	96
40-125-121	540 003 010 103	510 108 126	720 101 101-Signal, 24 AWG	96
40-290-021	540 002 010 103	510 108 126	720 101 101-Signal, 24 AWG	68
40-290-121	540 002 010 103	510 108 126	720 101 101-Signal, 24 AWG	68
40-291-021	540 002 010 103	510 108 126	720 101 101-Signal, 24 AWG	68
40-291-121	540 002 010 103	510 108 126	720 101 101-Signal, 24 AWG	68
40-150-002	540 018 010 101	510 108 101	720 101 101-Signal, 24 AWG	50
40-151-002	540 016 010 101	510 108 101	720 101 101-Signal, 24 AWG	37
40-550-002	540 016 010 101	510 108 101	720 101 101-Signal, 24 AWG	37
40-552-002	540 018 010 101	510 108 101	720 101 101-Signal, 24 AWG	50
40-650-002	540 016 010 101	510 108 101	720 101 101-Signal, 24 AWG	37
40-630-021-S/32/1	540 002 010 103	510 108 126	720 101 101-Signal, 24 AWG	68
40-630-021-S-D/16/1	540 002 010 103	510 108 126	720 101 101-Signal, 24 AWG	68
40-630-022-D/16/2	540 002 010 103	510 108 126	720 101 101-Signal, 24 AWG	68
40-630-022-D/32/1	540 002 010 103	510 108 126	720 101 101-Signal, 24 AWG	68
40-630-022-S/16/4	540 002 010 103	510 108 126	720 101 101-Signal, 24 AWG	68
40-630-022-S/32/2	540 002 010 103	510 108 126	720 101 101-Signal, 24 AWG	68
40-630-022-S/64/4	540 002 010 103	510 108 126	720 101 101-Signal, 24 AWG	68
40-632-022-D/24/1	540 002 010 103	510 108 126	720 101 101-Signal, 24 AWG	68
40-632-022-S/24/1	540 002 010 103	510 108 126	720 101 101-Signal, 24 AWG	68
40-632-022-S/48/1	540 002 010 103	510 108 126	720 101 101-Signal, 24 AWG	68
40-640-021-S-47/1	540 003 010 103	510 108 126	720 101 101-Signal, 24 AWG	96
40-640-022-47/1	540 003 010 103	510 108 126	720 101 101-Signal, 24 AWG	96
40-640-022-94-1	540 003 010 103	510 108 126	720 101 101-Signal, 24 AWG	96
40-655-002	540 034 010 103	510 108 126	720 101 101-Signal, 24 AWG	78
40-670-021-10/8	540 005 010 105	510 108 131	720 101 101-Signal, 24 AWG	200
40-670-021-24/4	540 005 010 105	510 108 131	720 101 101-Signal, 24 AWG	200
40-670-021-49/2	540 005 010 105	510 108 131	720 101 101-Signal, 24 AWG	200
40-670-021-5/16	540 005 010 105	510 108 131	720 101 101-Signal, 24 AWG	200
40-670-021-99/1	540 005 010 105	510 108 131	720 101 101-Signal, 24 AWG	200
40-670-021-S-10/8	540 005 010 105	510 108 131	720 101 101-Signal, 24 AWG	200
40-670-021-S-24/4	540 005 010 105	510 108 131	720 101 101-Signal, 24 AWG	200
40-670-021-S-49/2	540 005 010 105	510 108 131	720 101 101-Signal, 24 AWG	200
40-670-021-S-5/16	540 005 010 105	510 108 131	720 101 101-Signal, 24 AWG	200
40-670-022-10/16	540 005 010 105	510 108 131	720 101 101-Signal, 24 AWG	200
40-670-022-198/1	540 005 010 105	510 108 131	720 101 101-Signal, 24 AWG	200
40-670-022-24/8	540 005 010 105	510 108 131	720 101 101-Signal, 24 AWG	200
40-670-022-49/4	540 005 010 105	510 108 131	720 101 101-Signal, 24 AWG	200

CABLE ASSEMBLIES CON'T

Can't find your card listed? Please call the factory or go to the Configurator on the VPC website: www.vpc.com/pxi/configurator

Card Manufacturer	VPC Part Number			
Pickering (con't)	20" RCVR Cable Assembly	VPC ITA Mating Module	36" ITA Patchcords	ITA Patchcords Max QTY
40-670-022-5/32	540 005 010 105	510 108 131	720 101 101-Signal, 24 AWG	200
40-670-022-99/2	540 005 010 105	510 108 131	720 101 101-Signal, 24 AWG	200
40-120-021	540 003 010 103	510 108 126	720 101 101-Signal, 24 AWG	96
40-510-021	540 002 010 103	510 108 126	720 101 101-Signal, 24 AWG	68
40-510-021-S	540 002 010 103	510 108 126	720 101 101-Signal, 24 AWG	68
40-510-022	540 002 010 103	510 108 126	720 101 101-Signal, 24 AWG	68
40-511-021	540 002 010 103	510 108 126	720 101 101-Signal, 24 AWG	68
40-511-021-S	540 002 010 103	510 108 126	720 101 101-Signal, 24 AWG	68
40-511-022	540 002 010 103	510 108 126	720 101 101-Signal, 24 AWG	68
40-512-021	540 002 010 103	510 108 126	720 101 101-Signal, 24 AWG	68
40-512-022	540 002 010 103	510 108 126	720 101 101-Signal, 24 AWG	68
40-513-021	540 002 010 103	510 108 126	720 101 101-Signal, 24 AWG	68
40-513-021-S	540 002 010 103	510 108 126	720 101 101-Signal, 24 AWG	68
40-513-022	540 002 010 103	510 108 126	720 101 101-Signal, 24 AWG	68
40-521-021	540 003 010 103	510 108 126	720 101 101-Signal, 24 AWG	96
40-521-022	540 003 010 103	510 108 126	720 101 101-Signal, 24 AWG	96
40-522-021	540 003 010 103	510 108 126	720 101 101-Signal, 24 AWG	96
40-522-021-S	540 003 010 103	510 108 126	720 101 101-Signal, 24 AWG	96
40-522-022	540 003 010 103	510 108 126	720 101 101-Signal, 24 AWG	96
40-523-021	540 003 010 103	510 108 126	720 101 101-Signal, 24 AWG	96
40-523-022	540 003 010 103	510 108 126	720 101 101-Signal, 24 AWG	96
40-524-02	540 003 010 103	510 108 126	720 101 101-Signal, 24 AWG	96
40-524-021	540 003 010 103	510 108 126	720 101 101-Signal, 24 AWG	96
40-531-021-S	540 003 010 103	510 108 126	720 101 101-Signal, 24 AWG	96
40-532-021	540 003 010 103	510 108 126	720 101 101-Signal, 24 AWG	96
40-532-021-S	540 003 010 103	510 108 126	720 101 101-Signal, 24 AWG	96
40-532-022	540 003 010 103	510 108 126	720 101 101-Signal, 24 AWG	96
40-533-021	540 003 010 103	510 108 126	720 101 101-Signal, 24 AWG	96
40-533-021-S	540 003 010 103	510 108 126	720 101 101-Signal, 24 AWG	96
40-534-021	540 003 010 103	510 108 126	720 101 101-Signal, 24 AWG	96
40-534-021-S	540 003 010 103	510 108 126	720 101 101-Signal, 24 AWG	96
40-534-022	540 003 010 103	510 108 126	720 101 101-Signal, 24 AWG	96
40-535-021	540 003 010 103	510 108 126	720 101 101-Signal, 24 AWG	96
40-536-021	540 003 010 103	510 108 126	720 101 101-Signal, 24 AWG	96
40-537-021	540 003 010 103	510 108 126	720 101 101-Signal, 24 AWG	96
40-538-021	540 003 010 103	510 108 126	720 101 101-Signal, 24 AWG	96
40-538-021-S	540 003 010 103	510 108 126	720 101 101-Signal, 24 AWG	96
40-550-002	540 016 010 101	510 108 101	720 101 101-Signal, 24 AWG	37
40-220-001	540 003 010 103	510 108 126	720 101 101-Signal, 24 AWG	96
40-220-002	540 003 010 103	510 108 126	720 101 101-Signal, 24 AWG	96

CABLE ASSEMBLIES CON'T
ITA MATING MODULES AND ITA PATCHCORDS - DETAILS

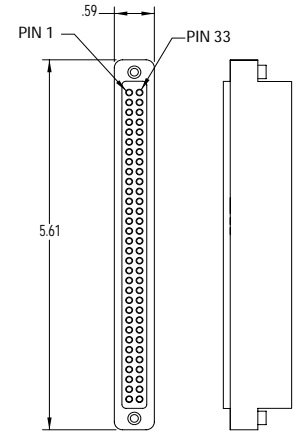
SIGNAL MODULE - 64 PIN

The 64 pin Signal ITA Module is made from an engineered resin and will withstand temperatures up to 150° C. The ITA has molded nomenclature.

P/N	Description
510 108 101	Signal Module (ITA) 64 contact for discrete wiring
720 101 101	ITA 36" Signal Patchcord, 24 AWG, uses contact P/N 610 110 108



P/N 720 101 101



P/N 510 108 101

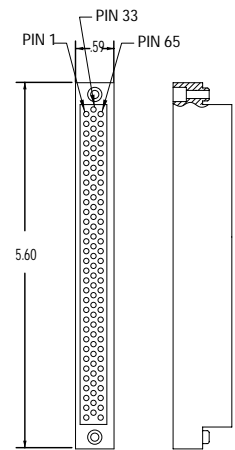
SIGNAL MODULE - 96 PIN

The 96 pin Signal Modules are made from Ryton R-7, withstanding temperatures up to 220°C. Nomenclature is molded on the Module.

P/N	Description
510 108 126	Signal Module (ITA) 96 contact for discrete wiring
720 101 101	ITA 36" Signal Patchcord, 24 AWG, uses contact P/N 610 110 108



P/N 720 101 101

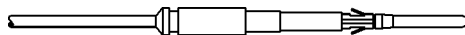


P/N 510 108 126

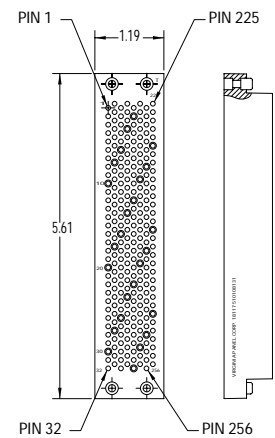
SIGNAL MODULE - 256 PIN

The 256 pin Modules are made from glass-filled Liquid Crystal Polymer (LCP), withstanding temperatures of 115°C. Nomenclature is molded on the Module.

P/N	Description
510 108 131	Signal Module (ITA) 256 contact for discrete wiring
720 101 101	ITA 36" Signal Patchcord, 24 AWG, uses contact P/N 610 110 108



P/N 720 101 101



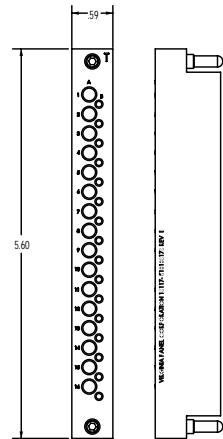
P/N 510 108 131

CABLE ASSEMBLIES CON'T
ITA MATING MODULES AND ITA PATCHCORDS - DETAILS

SIGNAL/MINI POWER HYBRID MODULES - 16/16 PIN

The Signal/Mini Power Hybrid Modules are made from G-10, withstanding temperatures up to 115°C. The hybrid modules allow for 16 Power lines *and* 16 Sense (or Signal) lines in the same module position. Nomenclature is silk-screened white on the Modules.

P/N	Description
510 108 178	Signal/Mini Power Module (ITA) 16/16 contact positions for discrete wiring
716 101 175	ITA 36" Mini Power Patchcord, 16 AWG, uses contact P/N 610 115 124
720 101 101	ITA 36" Signal Patchcord, 24 AWG, uses contact P/N 610 110 108



P/N 510 108 178

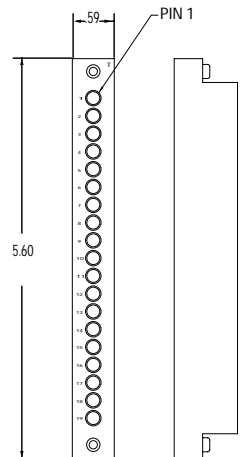


P/N 716 101 175

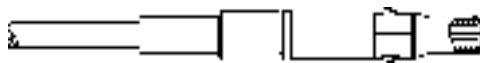
MINI COAXIAL MODULE -19 PIN

The 19 pin Mini Coaxial Module is made from Ryton R-7, withstanding temperatures up to 220°C. Nomenclature is silk-screened white on the Module.

P/N	Description
510 108 111	Mini Coax Module (ITA) 19 contact
710 102 137	ITA 36" Mini Coax Patchcord, RG 316, uses contact P/N 610 103 115



P/N 510 108 111



P/N 710 102 137

CLICK™ MASS INTERCONNECT SOLUTION

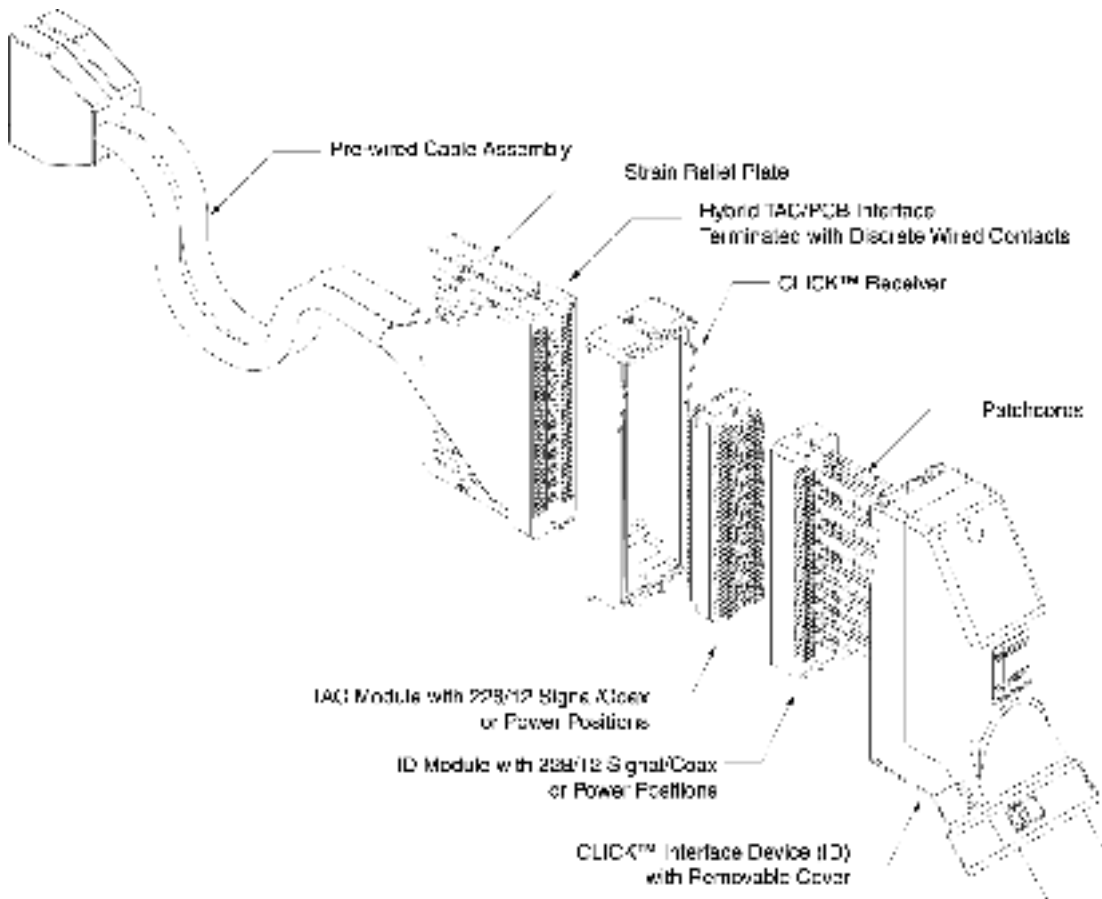
Virginia Panel Corporation presents the enhanced CLICK™ connector! The easiest, quickest means of connection, CLICK engagement is accomplished by simply positioning and clicking the connector in place. CLICK combines VPC's advanced wireless technology with improved engagement performance. Hybrid modules provide for 220/24 signal/coax or power positions and 180/10 signal/75 Ohm coax positions. The high density, low-profile CLICK replaces conventional, more cumbersome connectors and overcomes the hassles of multiple cable connections.



Other module configurations available. Call the factory or your VPC representative

P/N	Description
310 117 115	Receiver
310 113 354	Universal Protective Cover
310 113 358	5U Vertical Hinged Mounting Frame Blank Panel
310 113 359	5U Vertical Hinged Mounting Frame 2 Positions
310 113 360	5U Vertical Hinged Mounting Frame 3 Positions
410 115 127	Interface Device (ID)
310 113 370	Chassis Mount Flange Kit for National Instruments Model PXI-1006, 18 Slot Chassis
310 113 371	Chassis Mount Flange Kit for Pickering Model 40-930, 18 slot Chassis
310 113 374	Chassis Mount Flange Kit for PXIT PX2000-514A/B, 14 Slot Chassis

Most items typically available within 2-3 weeks



P/N	Description
-----	-------------

CLICK Receiver Cable Assemblies

545 032 010 103	Cable Asm, 50 Series PXI, 220/24 to 3 - 68 Pin Female SCSI Connectors, 20"
545 033 010 103	Cable Asm, 50 Series PXI, 220/24 to 2 - 96 Pin Female SCSI Connectors, 20"
545 047 010 103	Cable Asm, 50 Series PXI, 220/24 to 2 - 100 Pin Male SCSI Connectors, 20"
545 048 010 103	Cable Asm, 50 Series PXI, 220/24 to 1 - 68 Pin Female and 1 - 96 Pin Female SCSI, 20"
545 005 010 103	Cable Asm, 50 Series PXI, 220/24 to 1 - 200 Pin Female LFH Connectors, 20"
545 031 010 107	Cable Asm, 50 Series PXI, 180 Signal/10 75 Ohm Coax Positions to 2 - 68 Pin Female SCSI Connectors, 20"
545 003 010 107	Cable Asm, 50 Series PXI, 180 Signal/10 75 Ohm Coax Positions to 1 - 96 Pin Female SCSI Connectors, 20"
545 009 010 107	Cable Asm, 50 Series PXI, 180 Signal/10 75 Ohm Coax Positions to 1 - 100 Pin Male SCSI Connectors, 20"
545 048 010 107	Cable Asm, 50 Series PXI, 180 Signal/10 75 Ohm Coax Positions to 1 - 68 Pin Female and 1 - 96 Pin Female SCSI, 20"
545 049 010 107	Cable Asm, 50 Series PXI, 180 Signal/10 75 Ohm Coax Positions to 1 - 68 Pin Female and 1 - 100 Pin Male SCSI, 20"

CLICK Receiver Patchcords

737 104 118	PCCX Receiver, 50 Series 50 Ohm Surface Contact to Male SMA, RG-316 20"
737 104 119	PCCX Receiver, 50 Series 50 Ohm Surface Contact to Female SMB, RG-316 20"
737 104 120	PCCX Receiver, 50 Series 50 Ohm Surface Contact to Male BNC, RG-316 20"
737 106 101	PCCX Receiver, 50 Series 75 Ohm Surface Contact to Male SMZ, Type 43, RG-179 20"
737 106 102	PCCX Receiver, 50 Series 75 Ohm Surface Contact to Male 1.0/2.3, RG-179 20"
737 106 103	PCCX Receiver, 50 Series 75 Ohm Surface Contact to Female MINI SMB, RG-179 20"
737 102 114	PCP WR Receiver, 50 Series Surface Contact to Male BANANA JACK, 18 AWG 20"
737 102 115	PCP WR Receiver, 50 Series Surface Contact to Male BANANA JACK, 18 AWG 36"

CLICK ID Patchcords

737 101 106	ID/RCVR Signal Wiring Patchcord, 24 AWG, 72"
737 102 110	ID/RCVR Power Wiring patchcord, 18 AWG, 72"
737 104 105	ID/RCVR Coaxial Patchcord, RG316, 72"
737 106 104	ID/RCVR Coaxial Patchcord, 75 Ohm, RG179, 72"

24", 36", 72" ID Patchcords available. Contact factory or your VPC representative.

CLICK ID Mating Modules

510 131 139	ID Wiring Module with Positions for 220 Signal Wiring Contacts and 24 Coaxial (50 Ohm) or Power Wiring Contacts
510 131 145	ID Wiring Module with positions for 180 Signal Wiring Contacts and 10 Coaxial Wiring Contacts (75 Ohm)

Most items typically available within 2-3 weeks



CLICK Receiver
P/N 310 117 115



CLICK ID
P/N 410 115 127



CLICK™ Vertical Hinged Mounting Frames
P/N 310 113 359



CLICK Protective Cover for ID and/or
Receiver
P/N 310 113 354

CONTACT EXTRACTION TOOLS

Virginia Panel Corporation offers a line of Tools to assist in system configuration.

*Please refer to
www.vpc.com/manuals
 for
 assembly instructions.*



P/N	Description	Used with Patchcord/Contact
Extraction Tools		
910 110 102	SignalContact, (RCVR/ITA)	720 101 101/610 110 108
910 112 104	Mini Power/Coaxial Contact, (RCVR/ITA)	716 101 175/610 115 124
910 110 110	Signal Wiring Contact	737 101 106/610 127 110
910 112 112	Coax or Power Wiring Contact	737 102 110/610 136 102 737 102 114/610 136 101 737 104 105/610 134 101 737 104 118/610 134 101 737 104 119/610 134 101 737 104 120/610 134 101
910 112 116	Coaxial (75 Ohm) Wiring Contact	737 106 101/610 134 102 737 106 102/610 134 102 737 106 103/610 134 102

Most items typically available within 2-3 weeks

PART NUMBER INDEX

P/N	Description	Page
18 Module		
310 120 101	Receiver, 18 Module Position	4
310 113 327	Receiver Protective Cover, 18 Module RCVR	4
310 113 382	9U Vertical Hinged Mounting Frame for 19" Rack P/N	4
310 113 322	5U Vertical Hinged Mounting Frame, 18 Module	4
510 104 118	Blank Module	4
410 120 101	ITA, 18 Module	4
410 112 527	ITA Enclosure, 18 Module	4
410 112 541	ITA Protective Cover, 18 Module	4
310 113 370	Chassis Mount Flange Kit for National Instruments PXI-1006, 18 Slot Chassis	4
310 113 371	Chassis Mount Flange Kit for Pickering 40-930, 18 Slot Chassis	4
310 113 374	Chassis Mount Flange Kit for PXIT 2000-514A/B, 14 Slot Chassis	4
111 107 138	Universal Card Adapter Kit	4
10 Module		
310 104 314	Receiver, 10 Module Position, PCB capability	6
310 104 317	Receiver, 10 Module Position	6
310 113 154	Receiver Protective Cover, 10 Module RCVR	6
310 113 382	9U Vertical Hinged Mounting Frame for 19" Rack P/N	6
310 113 342	5U Vertical Hinged Mounting Frame, 10 Module	6
410 104 272	ITA with removable cover, 10 Module Position, 3 cable openings	6
410 104 270	ITA with removable cover, 10 Module Position, 3 cable openings, PCB capability	6
410 104 278	ITA with fixture box	7
410 104 280	ITA with fixture box, with edge card	7
410 112 299	ITA Protective Cover, 10 Module	6
510 104 118	Blank Module	6
310 113 370	Chassis Mount Flange Kit for National Instruments PXI-1006, 18 Slot Chassis	6
310 113 371	Chassis Mount Flange Kit for Pickering 40-930, 18 Slot Chassis	6
310 113 374	Chassis Mount Flange Kit for PXIT 2000-514A/B, 14 Slot Chassis	6
6 Module		
310 104 318	Receiver, 6 Module Position	8
310 113 158	Receiver Protective Cover, 6 Module RCVR	8
310 113 383	5U Vertical Hinged Mounting Frame, 6 Module	8
410 104 273	ITA with removable cover, 6 Module Position, 2 cable openings	8
410 112 296	ITA Protective Cover, 6 Module	8
510 104 118	Blank Module	8
310 113 370	Chassis Mount Flange Kit for National Instruments PXI-1006, 18 Slot Chassis	8
310 113 371	Chassis Mount Flange Kit for Pickering 40-930, 18 Slot Chassis	8
310 113 374	Chassis Mount Flange Kit for PXIT 2000-514A/B, 14 Slot Chassis	8
ITA Mating Modules		
510 108 101	Signal Module (ITA) 64 contact for discrete wiring	14
510 108 126	Signal Module (ITA) 96 contact for discrete wiring	14
510 108 131	Signal Module (ITA) 256 contact for discrete wiring	14
510 108 178	Signal/Mini Power Module (ITA) 16/16 contact positions for discrete wiring	15
510 108 111	Mini Coaxial Module (ITA) 19 contact	15
ITA Mating Patchcords		
710 102 137	ITA 36" Mini Coax Patchcord, RG 316, uses contact P/N 610 103 115	15
716 101 175	ITA 36" Mini Power Patchcord, 16 AWG, uses contact P/N 610 115 124	15
720 101 101	ITA 36" Signal Patchcord, 24 AWG, uses contact P/N 610 110 108	14, 15

Most items typically available within 2-3 weeks

continued next page

PART NUMBER INDEX (con't)

P/N	Description	Page
CLICK™		
310 117 115	Click Receiver Frame	16
310 113 354	Universal Protective Cover for Click RCVR Frame	16
310 113 358	5U Vertical Hinged Mounting Frame Blank Panel	16
310 113 359	5U Vertical Hinged Mounting Frame 2 Positions	16
310 113 360	5U Vertical Hinged Mounting Frame 3 Positions	16
410 115 127	ID with 1 cable opening	16
310 113 370	Mounting Flanges for National Instruments, Model PXI-1006 18 Slot Chassis	16
310 113 371	Mounting Flanges for Pickering Model 40-930 18 slot Chassis	16
310 113 374	Mounting Flanges for PXIT PX2000-514A/B, 14 Slot Chassis	16
CLICK™ Receiver Cable Assemblies		
545 032 010 103	Cable Asm, 50 Series PXI, 220/24 to 3 - 68 Pin Female SCSI Connectors, 20"	17
545 033 010 103	Cable Asm, 50 Series PXI, 220/24 to 2 - 96 Pin Female SCSI Connectors, 20"	17
545 047 010 103	Cable Asm, 50 Series PXI, 220/24 to 2 - 100 Pin Male SCSI Connectors, 20"	17
545 048 010 103	Cable Asm, 50 Series PXI, 220/24 to 1 - 68 Pin Female and 1 - 96 Pin Female SCSI, 20"	17
545 005 010 103	Cable Asm, 50 Series PXI, 220/24 to 1 - 200 Pin Female LFH Connectors, 20"	17
545 031 010 107	Cable Asm, 50 Series PXI, 180 Signal/10 75 Ohm Coax Positions to 2 - 68 Pin Female SCSI Connectors, 20"	17
545 003 010 107	Cable Asm, 50 Series PXI, 180 Signal/10 75 Ohm Coax Positions to 1 - 96 Pin Female SCSI Connectors, 20"	17
545 009 010 107	Cable Asm, 50 Series PXI, 180 Signal/10 75 Ohm Coax Positions to 1 - 100 Pin Male SCSI Connectors, 20"	17
545 048 010 107	Cable Asm, 50 Series PXI, 180 Signal/10 75 Ohm Coax Positions to 1 - 68 Pin Female and 1 - 96 Pin Female SCSI, 20"	17
545 049 010 107	Cable Asm, 50 Series PXI, 180 Signal/10 75 Ohm Coax Positions to 1 - 68 Pin Female and 1 - 100 Pin Male SCSI, 20"	17
CLICK™ Receiver Mating Patchcords		
737 104 118	PCCX Receiver, 50 Series 50 OHM Surface Contact to Male SMA, RG-316 20"	17
737 104 119	PCCX Receiver, 50 Series 50 OHM Surface Contact to Female SMB, RG-316 20"	17
737 104 120	PCCX Receiver, 50 Series 50 OHM Surface Contact to Male BNC, RG-316 20"	17
737 106 101	PCCX Receiver, 50 Series 75 OHM Surface Contact to Male SMZ, Type 43, RG-179 20"	17
737 106 102	PCCX Receiver, 50 Series 75 OHM Surface Contact to Male 1.0/2.3, RG-179 20"	17
737 106 103	PCCX Receiver, 50 Series 75 OHM Surface Contact to Female MINI SMB, RG-179 20"	17
737 102 114	PCP WR Receiver 50 Series Surface Contact to Male BANANA JACK, 18 AWG 20"	17
737 102 115	PCP WR Receiver 50 Series Surface Contact to Male BANANA JACK, 18 AWG 36"	17
CLICK ID Patchcords		
737 101 106	ID/RCVR Signal Wiring Patchcord, 24 AWG, 72"	17
737 102 110	ID/RCVR Power Wiring patchcord, 18 AWG, 72"	17
737 104 105	ID/RCVR Coaxial Patchcord, RG316, 72"	17
737 106 104	ID/RCVR Coaxial Patchcord, 75 Ohm, RG179, 72"	17
CLICK ID Mating Modules		
510 131 139	ID Wiring Module with Positions for 220 Signal Wiring Contacts and 24 Coaxial (50 OHM) or Power Wiring Contacts	17
510 131 145	ID Wiring Module with positions for 180 Signal Wiring Contacts and 10 Coaxial Wiring Contacts (75 Ohm)	17
Tools		
910 110 102	Signal/Thermocouple Contact, (RCVR/ITA) Extraction Tool	18
910 112 104	Mini Power/Coaxial Contact, (RCVR/ITA) Extraction Tool	18
910 110 110	Signal Wiring Contact Extraction Tool	18
910 112 112	Coax or Power Wiring Contact Extraction Tool	18
910 112 116	Coaxial (75 Ohm) Wiring Contacts	18

Most items typically available within 2-3 weeks