

RUGGEDIZED SERIES

DC MICROAMMETERS

Range	Ω Res.	127-HR	221-HR	321-HR
0-50	2.5k (4k)	52-9436 *	152-2006	152-2028 *
0-100	1170	52-7257	152-2007	152-2029
0-200	400	52-9437	152-2008	152-2030
0-500	210	52-9438	152-2009	152-2031

127-HR Resistance in Parenthesis

DC MILLIAMMETERS

Range	Ω Res.	127-HR	221-HR	321-HR
0-1	55	52-9439	152-1988	152-2010
0-5	8.5	52-9440	152-1989	152-2011
0-10	3.1	52-9441	152-1990	152-2012
0-50	1.0	52-9442	152-1991	152-2013
0-100	.50	52-9443	152-1992	152-2014
0-200	.25	52-9444	152-1993	152-2015
0-500	.10	52-9445	152-1995	152-2017

▲ Units are self-contained

* Models which are normally stocked by Distribution

For additional ranges, please contact factory.

DC AMMETERS

Range	Ω Res.	127-HR	221-HR	321-HR
0-1 ▲	—	52-9446	152-1997	152-2019
0-5 ▲	—	—	152-1998	152-2020
0-10 ▲	—	—	152-1999	152-2021

DC MILLIVOLTMETERS

Range	Ω Res.	127-HR	221-HR	321-HR
0-50	6.7	52-9447	152-1996 *	152-2018

DC VOLTMETERS (1000 Ohms/Volt)

Range	Ω / Volt	127-HR	221-HR	321-HR
0-5	1000	52-9448	152-2000	152-2022
0-10	1000	52-9449	152-2001	152-2023
0-25	1000	52-9450	152-2002	152-2024
0-30	1000	52-9451	52-6603	52-6317
0-50	1000	52-9452	152-2003	152-2025
0-150	1000	52-9453	152-2004	152-2026

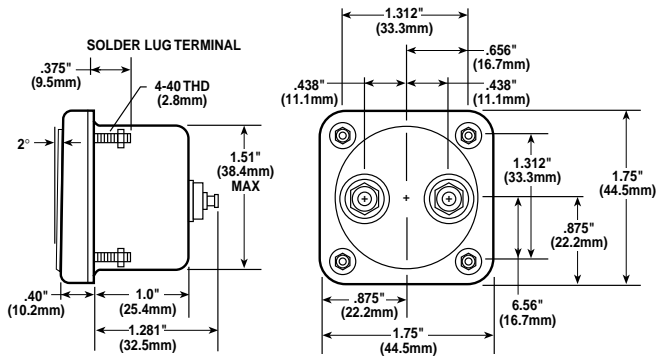


All 127-HR movements are Pivot & Jewel.

Units with Zero Adjust not available

1 1/2"

Model 127-HR

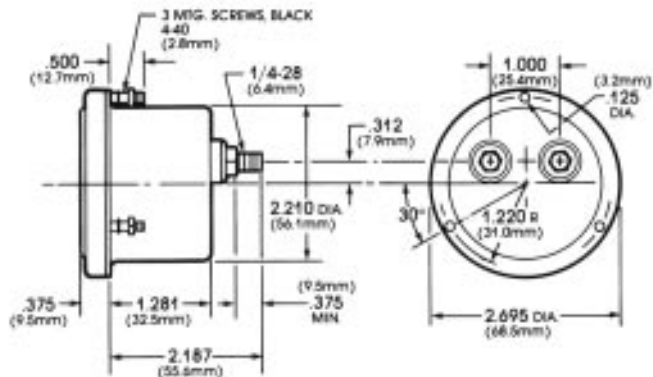


Model 127-HR Scale Length: 1.50"



2 1/2"

Model 221-HR

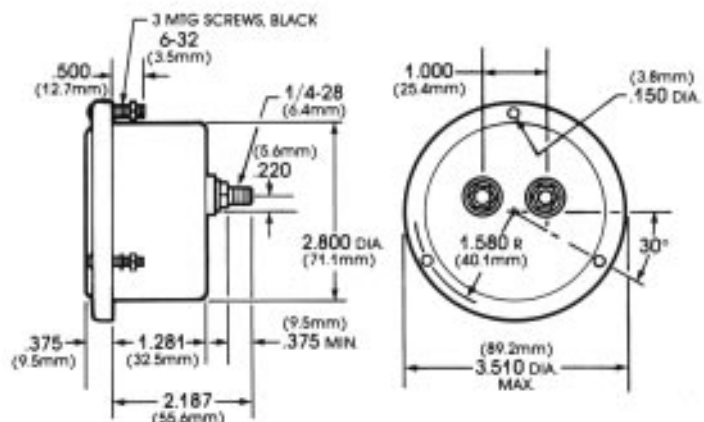


Model 221-HR Scale Length: 1.76"



3 1/2"

Model 321-HR



Model 321-HR Scale Length: 2.38"