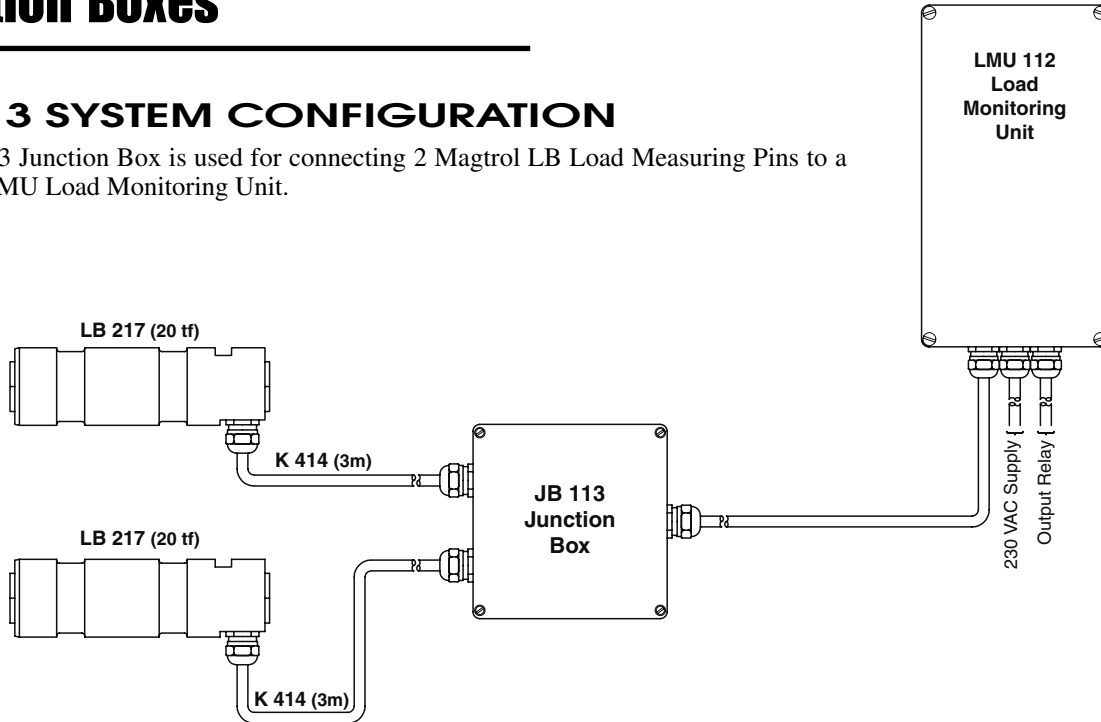


## JB 113 and JB 114

### Junction Boxes

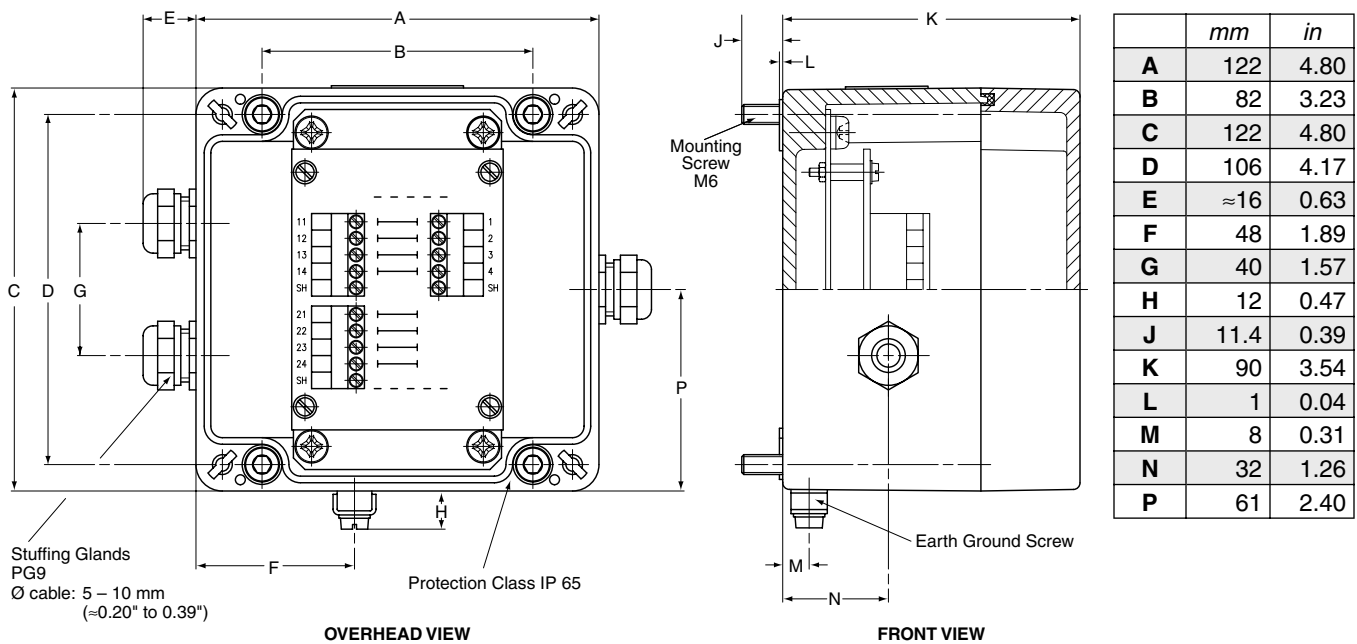
#### JB 113 SYSTEM CONFIGURATION

The JB 113 Junction Box is used for connecting 2 Magtrol LB Load Measuring Pins to a Magtrol LMU Load Monitoring Unit.



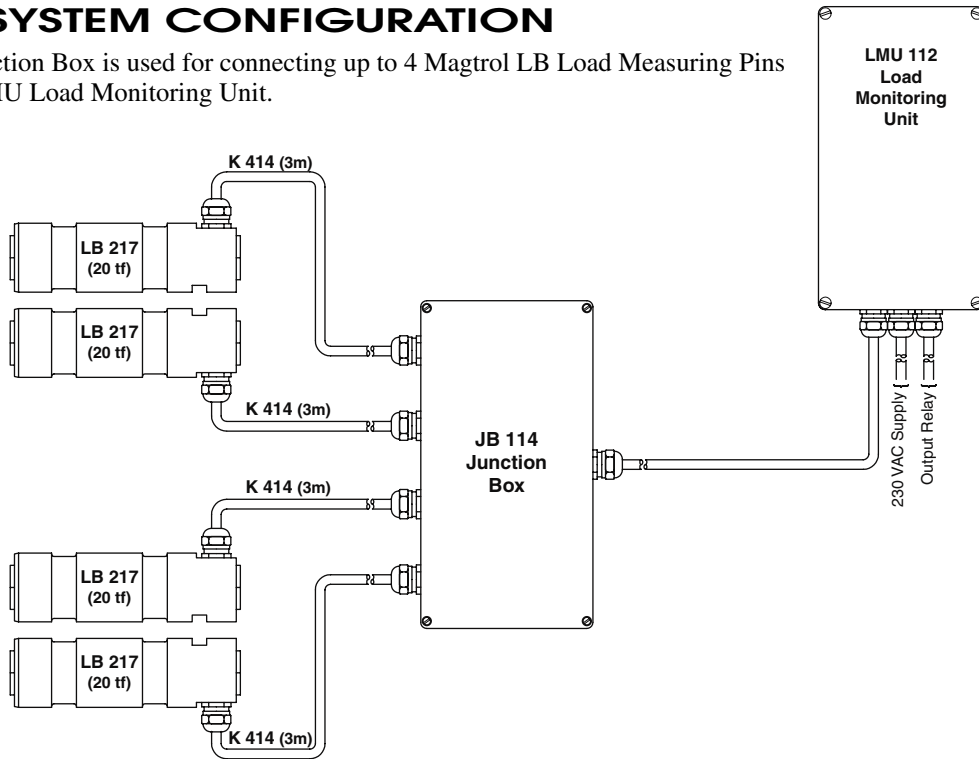
#### JB 113 DIMENSIONS

*NOTE: Original dimensions are in Metric units. Dimensions converted to English units have been rounded up to 2 decimal places.*



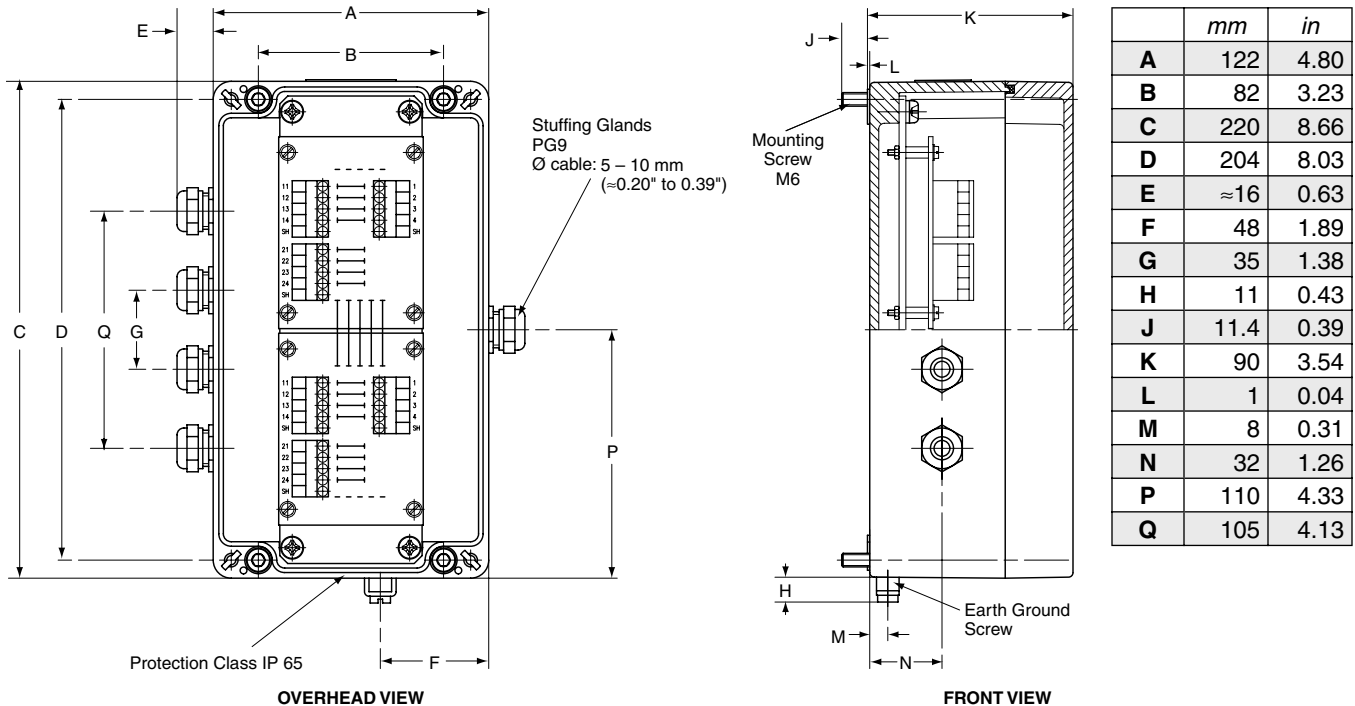
# JB 114 SYSTEM CONFIGURATION

The JB 114 Junction Box is used for connecting up to 4 Magtrol LB Load Measuring Pins to a Magtrol LMU Load Monitoring Unit.



## JB 114 DIMENSIONS

*NOTE: Original dimensions are in Metric units. Dimensions converted to English units have been rounded up to 2 decimal places.*



JBDS-US www.08/03

*Due to the continual development of our products, we reserve the right to modify specifications without forewarning.*



[www.magtrol.com](http://www.magtrol.com)

**MAGTROL INC**  
 70 Gardenville Parkway  
 Buffalo, New York 14224 USA  
 Phone: +1 716 668 5555  
 Fax: +1 716 668 8705  
 E-mail: [magtrol@magtrol.com](mailto:magtrol@magtrol.com)

**MAGTROL SA**  
 Route de Moncor 4B  
 1701 Fribourg, Switzerland  
 Phone: +41 (0)26 407 3000  
 Fax: +41 (0)26 407 3001  
 E-mail: [magtrol@magtrol.ch](mailto:magtrol@magtrol.ch)

**Subsidiaries in:**

- Germany
- France
- Great Britain

Worldwide Network  
 of Sales Agents

Magtrol SA ISO 9001:2000 certified

