
Model 5205L

Tension Load Cell

FEATURES

- Tension mounting
- Available capacities from 0.5 to 15 tons
- Sturdy design
- Available in stainless steel
- Breaking load > 500%
- Protection IP 67
- A complete range of electronics, load monitoring units and displays are also offered “CE” certified
- “EEx” ia II C T4/T6 version available
- Available with amplifier 4–20mA or 1–5 VDC

APPLICATIONS

The 5205L is perfectly designed to the following applications:

- Tension force measurement on cranes and hoisting devices
- Hoisting and crane security in combination with a Load Monitoring Unit (LMU 112, LMU 117 or LMU 116)



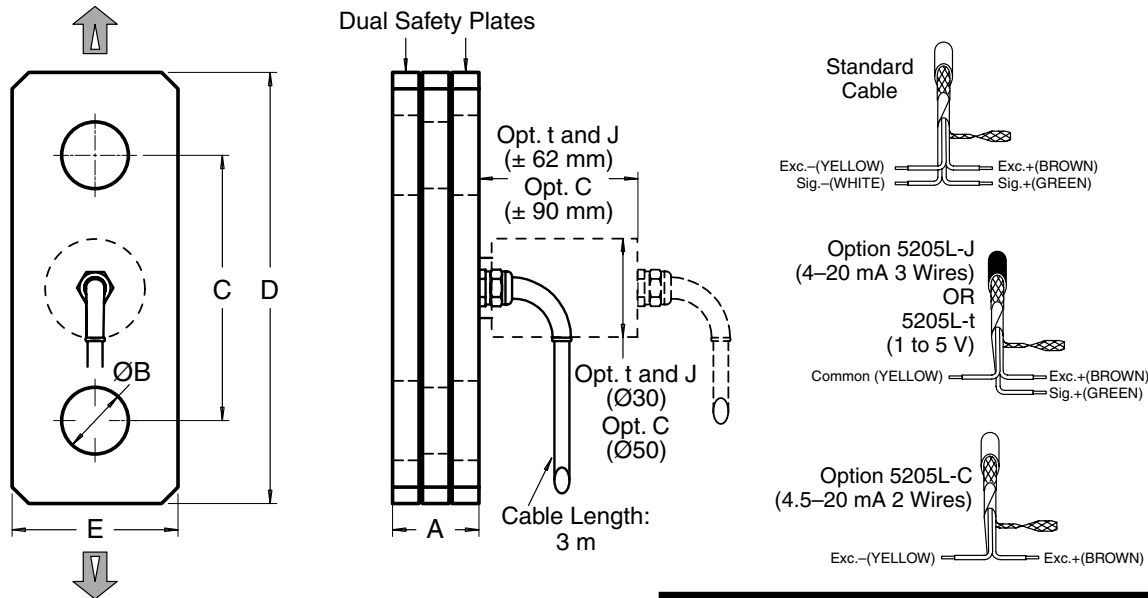
RATINGS

Accuracy Class	SL
Linearity Error	< ± 1% F.S.
Hysteresis Error	< ± 0.5% F.S.
Non-repeatability	< ± 0.25% F.S.
Creep Error Over 30 Minutes	< ± 0.2% F.S.
Zero Shift After Loading	< ± 0.05% F.S.
Reference Temperature	23°C
Nominal Temperature Range	-10 to 45°C
Service Temperature Range	-30 to 70°C
Storage Temperature Range	-50 to 85°C
Temperature Coefficient of the Sensitivity	< ± 0.1% /10°C
Temperature Coefficient of Zero Signal	< ± 0.1% F.S./10°C

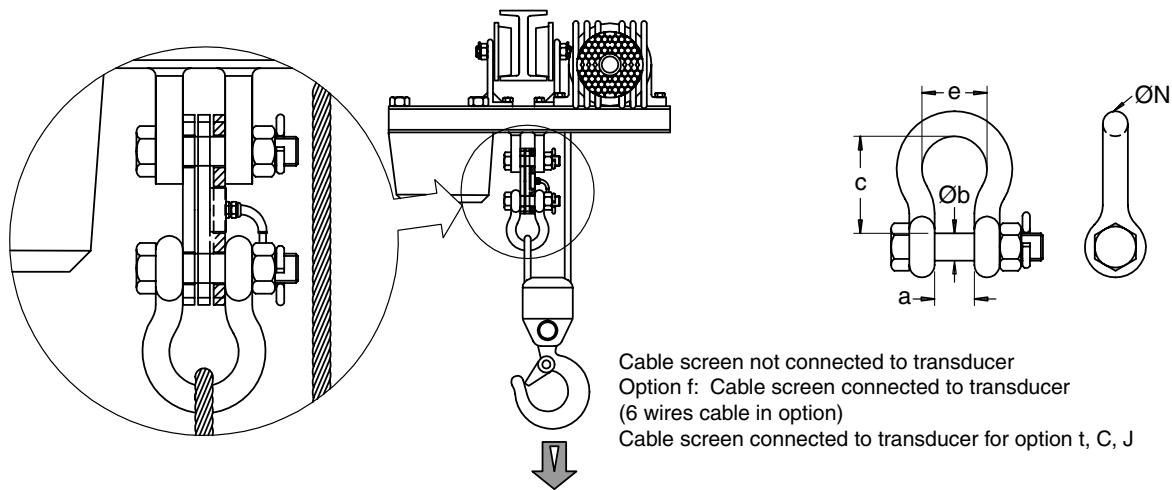
Nominal Sensitivity	1 mV/V
Zero Balance	± 0.02 mV/V
Sensitivity Tolerance (g=9.8107 m/s ²)	< ± 0.5%
Input / Output Resistance	350 ± 20 Ω
Insulation Resistance (50V)	> 5000 MΩ
Nominal Excitation Voltage	5 to 10 V
Nominal Range of the Excitation Voltage	2 to 15 V
Safe Load Limit	200% F.S.
Breaking Load	> 500% F.S.
Static Lateral Force Limit	10% F.S.
Permissible Dynamic Loading	70% F.S.
Cable Length	3 m

F.S. Full Scale

DIMENSIONS (mm)



							OPTION: FORGED SHACKLES					
Nominal Capacities (1mV/V)	User Limits	A±1*	ØB*	C	D	E	Safe Working Load	a	Øb	c	e	ØN
0.5 t	325–650 kg	13	11.5	65	94	40	1 t	16.8	11.2	36.5	26.1	9.65
0.75 t	500–950 kg						2 t	20.6	16.0	47.7	33.3	12.7
1.5 t	1–1.9 t	20	16.5	65	105	40	3.25 t	26.9	19.1	60.5	42.9	17.5
3 t	2–3.75 t	25	19.5	90	135	50	6.5 t	36.6	25.4	84.0	58.0	24.6
5 t	3.3–6.35 t	35	26	110	175	60	12 t	51.5	35.1	119.0	82.5	33.1
10 t	6.6–12 t	47	36	185	275	80	17 t	60.5	41.4	146.0	98.5	41.2
15 t	10–19 t	47	42	195	300	100						



Due to the continual development of our products, we reserve the right to modify specifications without forewarning.



www.magtrol.com

MAGTROL INC
 70 Gardenville Parkway
 Buffalo, New York 14224 USA
 Phone: +1 716 668 5555
 Fax: +1 716 668 8705
 E-mail: magtrol@magtrol.com

MAGTROL SA
 Route de Moncor 4B
 1701 Fribourg, Switzerland
 Phone: +41 (0)26 407 3000
 Fax: +41 (0)26 407 3001
 E-mail: magtrol@magtrol.ch

Subsidiaries in:

- Germany
- France
- Great Britain

Worldwide Network
 of Sales Agents

