

**BEST OF
CLASS**



The 32LED Series provides 3½ digit red, blue or green LED indication from a voltage input.

32LED Series Digital Panel Meter Specifications

Performance

Supply Voltage	+5 VDC @ 40mA
Input Ranges	±200mVDC, ±2VDC, ±20VDC
Numeral Size	.56" (14.27mm)
Operating Temperature	32° to 122°F (0-50°C)
Max Humidity	95% (non-condensing)
Input Impedance	1000mΩ (200mV) 1mΩ (other ranges)
Polarity Indication	Automatic (-) for negative input
Over/Under Range Indication	1.../-1...
Accuracy	± .1%F.S. ±2 counts
Common Mode Range	±1 VDC
Sampling Rate	3 / second
Connections	12 pin

Features

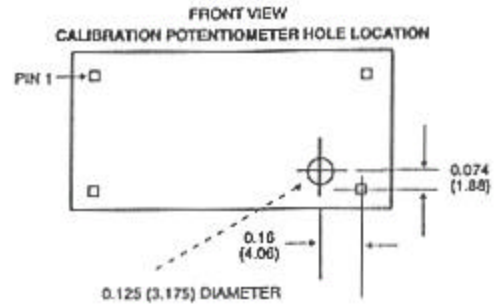
- Available in Red, Blue or Green
- User Selectable Decimal
- Polycarbonate Case
- ▲ Meets UL 94V-0
- Optional Bezel Mount
- Input Ranges:
 - ▲ ±200mVDC
 - ▲ ±2VDC
 - ▲ ±20VDC

Ordering Information

Part Number:

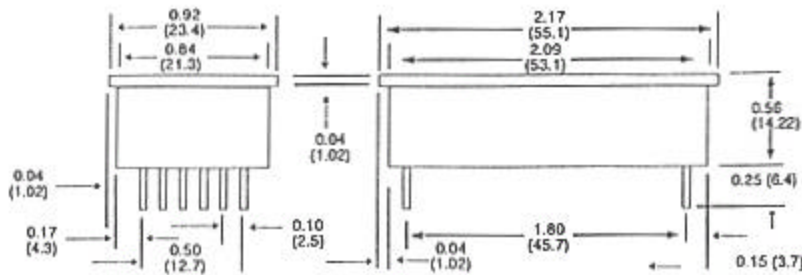
32-530301-00200mVin.....	High Intensity RED
32-530302-002Vin.....	High Intensity RED
32-530303-0020Vin.....	High Intensity RED
32-330301-00200mVin.....	GREEN
32-330302-002Vin.....	GREEN
32-330303-0020Vin.....	GREEN
32-630301-00200mVin.....	High Intensity RED..... w/hold function
32-630302-002Vin.....	High Intensity RED..... w/hold function
32-630303-0020Vin.....	High Intensity RED..... w/hold function
32-430301-00200mVin.....	BLUE
32-430302-002Vin.....	BLUE
32-430303-0020Vin.....	BLUE

Dimensions and Cut-out

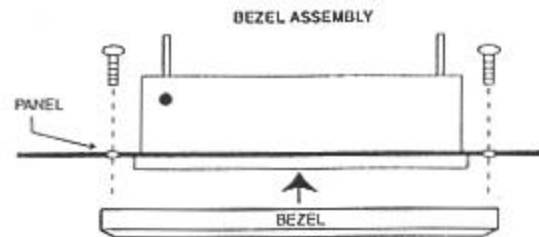
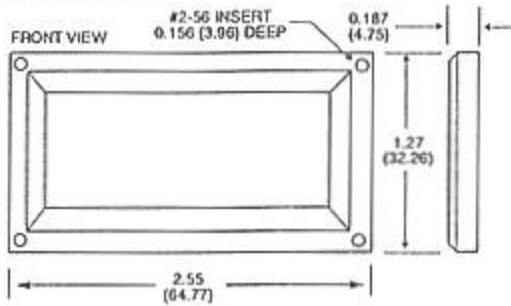


Mechanical Specifications

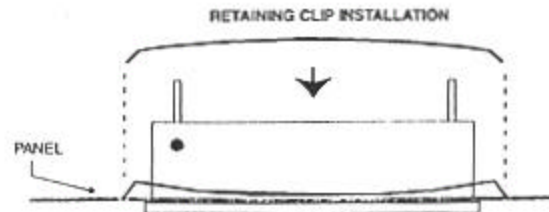
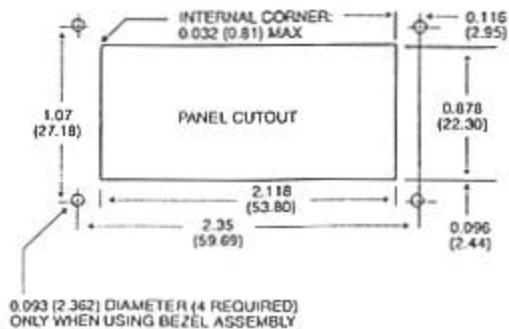
Mechanical Dimensions: Inches (mm)
Pin Dimensions: 0.025 (0.635) x 0.025 (0.635)



BEZEL ASSEMBLY



RECOMMENDED PANEL CUTOUT



JEWELL INSTRUMENTS, LLC

850 PERIMETER ROAD → MANCHESTER, NEW HAMPSHIRE 03103 USA
TOLL FREE: 800 638-3771 → TEL: 603 669-6400 → FAX: 603 669-5962
EMAIL: sales@jewellinstruments.com → WEB: www.jewellinstruments.com