



Indoor Voltage Transformer

Model JE-27C – 10 kV BIL, 69 - 600 V



Application	
Designed for indoor service; suitable for operating meters, instruments, relays and control devices.	
Regulatory Agency Approvals	
UL Recognized File E93779
Thermal Rating (Volt-Amperes)	
55 °C Rise above 30 °C Ambient 150 VA
30 °C Rise above 55 °C Ambient 100 VA
Weight	
(approximate) 7.8 lbs
Reference Drawings:	
Outline 0122C33698
Insulation Levels	
0.6 kV; BIL 10 kV full wave	
Frequency	
60 Hz	

JE-27C DATA TABLE									
Circuit Line to Line Voltage	Permissible Transformer Primary Connection	Transformer Rating		ANSI Accuracy Classification 60 Hz		Catalog Number			Recommended Primary Fuse Rating
				Burden Per ANSI					
		Primary Voltage (1)	Ratio	Operated at Rated Voltage	Operated at 58% of Rated Voltage	Not Fused	Primary Fuses Only	Primary and Secondary Fuses	Amps
120	Y only	69.3	0.578:1	0.6 W 1.2 X	2.4 X	760X190001	760X190021	760X190041	5.0
120 208	+ or Y Y only	120	1:1	0.6 W 1.2 X	2.4 X	760X190002	760X190022	760X190042	4.0
120 208	+ or Y Y only	120	1.732:1	0.6 W 1.2 X	2.4 X	760X190003	760X190023	760X190043	2.0
208	+ or Y	207.8	1.732:1	0.6 W 1.2 X	2.4 X	760X190004	760X190024	760X190044	2.0
240 416	+ or Y Y only	240	2:1	0.6 W 1.2 X	2.4 X	760X190005	760X190025	760X190045	2.0
480	Y only	288	2.4:1	0.6 W 1.2 X	2.4 X	760X190007	760X190027	760X190047	1.5
480	Y only	300	2.5:1	0.6 W 1.2 X	2.4 X	760X190008	760X190028	760X190048	1.5
480 832	+ or Y Y only	480..#	4:1	0.6 W 1.2 X	2.4 X	760X190009	760X190029	760X190049	1.0
600 1040	+ or Y Y only	600..#	5:1	0.6 W 1.2 X	2.4 X	760X190010	760X190030	760X190050	0.75

Notes:

- 1) For continuous operation, the transformer rated primary voltage should not be exceeded by more than 10%. Under emergency conditions, over-voltage must be limited to 1.25 times the transformer primary voltage rating; except those marked .., which must not exceed 110% rated voltage.

Construction and Insulation

The core and coils are enclosed in a molded case and encapsulated in polyurethane resin. The case is molded with GE Valox[®] thermoplastic polyester resin. This tough material has excellent electrical and mechanical properties over a wide temperature range and is resistant to oil and a variety of chemicals.

Core

The cores are made from high quality grain oriented silicon steel, which is annealed under rigidly controlled factory conditions.

Terminals

On unfused models the terminals are No. 10-32 brass studs with one flat washer, one lock washer and a regular nut. On fused models the terminals are No. 8-32 brass screws with one lock washer and one flat washer. Two plastic terminal covers are provided on unfused models and one clear plastic cover on fused models.

Polarity

Primary and secondary polarity identifiers are molded into the top surface of the transformer case.

Fuses

Class CC primary fuses are recommended, rated as shown in the data table. A secondary fuse is recommended, type BBS rated at 1.6 Amps to protect the transformer from external short circuits.

Mounting

These transformers may be mounted in any position, the case is provided with four mounting holes.

Nameplate

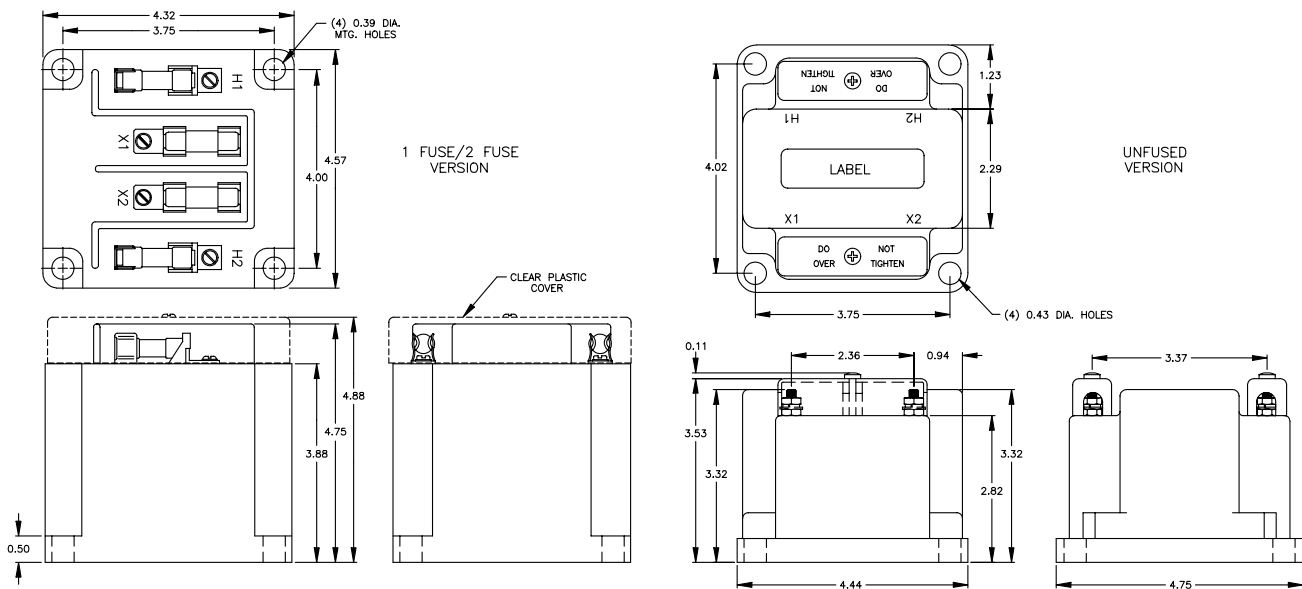
The nameplate is a polyester label attached to the top surface of the transformer case on unfused models and on the side of the case on fused models.

Maintenance

These transformers require no maintenance, other than occasional cleaning.

Data subject to change without notice

To purchase or obtain more information about GE Instrument Transformer products, please call GE's Charlotte Service Center at 1-800-431-7867. Product information is also available on our web site at <http://www.GEIndustrial.com>. Click on the Product Index button (right column), select Transformers and follow the menus to **Product Information** or a **Solutions Advisor**.



JE-27C Dimensions



130 Main Street
Somersworth, NH 03878

1907 Calumet Street
Clearwater, FL 33765

GE Industrial Systems