

# CONTROL POWER TRANSFORMERS

Model CPTS3-60-10  
Model CPTS5-95-10

## APPLICATION:

To provide control power in medium voltage switchgear.

## FREQUENCY:

60 Hz.

## INSULATION LEVEL:

CPT3:  
5 kV, 60 kV BIL full wave.

## CPT5:

15 kV, 95 kV BIL full wave.

## THERMAL RATING:

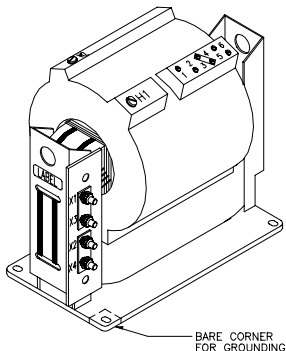
10 kVA at 30°C. ambient.  
8.6 kVA at 55°C. ambient.

- Primary terminals are brass screws 1/4-20 with one flatwasher and starwasher.

- Secondary terminals are brass studs 1/2-13 with one flatwasher, lockwasher and two nuts, plus series/parallel links.

- The transformer High Voltage winding is vacuum encapsulated in epoxy resin.
- Supplied with 1  $\pm 1/2\%$  or 2  $\pm 2-1/2\%$  taps above and below nominal voltage on the primary winding.

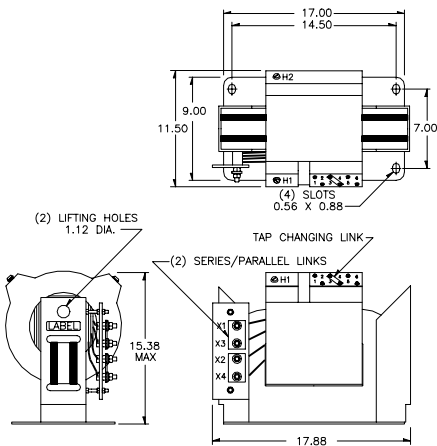
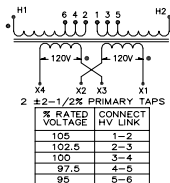
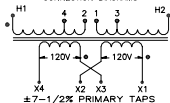
- Available as unfused only.
- Self cooled.
- Steel mounting base.
- For indoor use.
- Approximate weight 250 lbs.



(2) LIFTING HOLES  
1.12 DIA.

BARE CORNER  
FOR GROUNDING

### CONNECTION DIAGRAMS



Refer to Sales for 50 Hz.

***CATALOG NO.	PRIMARY VOLTAGE	RATIO	SECONDARY VOLTAGE	**FUSE RATING
CPTS3-60-10-242	2400	20:1	120/240	15E
CPTS3-60-10-4161	4160	34.7:1	120/240	7E
CPTS3-60-10-482	4800	40:1	120/240	7E
CPTS5-95-10-722	7200	60:1	120/240	5E
CPTS5-95-10-842	8400	70:1	120/240	5E
CPTS5-95-10-1242	12000	100:1	120/240	3E
CPTS5-95-10-1242	12470	104:1	120/240	3E
CPTS5-95-10-1322	13200	110:1	120/240	3E
CPTS5-95-10-1382	13800	115:1	120/240	3E
CPTS5-95-10-1442*	14400	120:1	120/240	3E

\*Not available with primary taps.

\*\*Note all fuse ratings are based upon NEC transformer overcurrent protection recommendations. Specific applications may require other ratings.

\*\*\*For 1  $\pm 1/2\%$  taps use suffix "A" after Catalog No.

\*\*\*For 2  $\pm 2-1/2\%$  taps use suffix "B" after Catalog No.