

CONTROL POWER TRANSFORMER

Models CPTD3-60-75
CPTD5-95-75

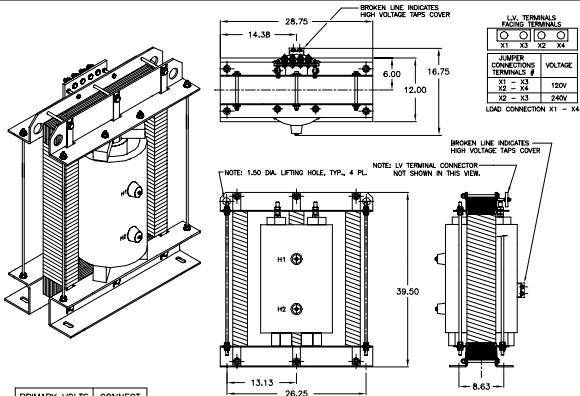
APPLICATION:
To provide control power in medium voltage switchgear, self-cooled, for indoor use only

FREQUENCY:
60 Hz.

INSULATION LEVEL:
5kV & 15kV Class 60kV & 95kV B.I.L., 150°C.

THERMAL RATING:
75 kVA at 30°C ambient.
64.3 kVA at 55°C ambient.
80°C rise.

- Partial discharge free at rated voltage in accordance with Canadian standard C9.
- H.V. Terminals are 3/8-16 UNC 2B brass insert.
- L.V. Terminals are 3/4-16 UNF 2A brass studs.
- Windings are encapsulated in epoxy resin. Mounting base is steel. Assembly is varnish treated.
- (4) Mounting slots are 0.56 x 1.50, Typ.
- Secondary voltage 120/240.
- For indoor use.
- Approximate weight: 900 lbs.



PRIMARY VOLTS	CONNECT
107.5%	1 - 2
100%	2 - 3
92.5%	3 - 4

1 ±7-1/2% PRIMARY TAPS
SUFFIX "A"

PRIMARY VOLTS	CONNECT
105%	1 - 2
102.5%	2 - 3
100%	3 - 4
97.5%	4 - 5
92.5%	5 - 6

2 ±2-1/2% PRIMARY TAPS
SUFFIX "B"

* Tap suffix "A" or "B"

** Note all fuse ratings are based upon NEC transformer overcurrent protection recommendations. Specific applications may require other ratings.

CATALOG NUMBER	PRIMARY VOALTAGE	VOLTAGE RATIO AT 120V	** FUSE RATING
CPTD3-60-75-4161 *	4160	34.7:1	40E
CPTD3-60-75-482 *	4800	40:1	30E
CPTD5-95-75-722 *	7200	60:1	30E
CPTD5-95-75-842 *	8400	70:1	30E
CPTD5-95-75-123 *	12000	100:1	20E
CPTD5-95-75-1242 *	12470	103.9:1	20E
CPTD5-95-75-1382 *	13800	115:1	20E
CPTD5-95-75-1442 *	14400	120:1	20E

STANDARD TYPICAL VOLTAGES - CONSULT FACTORY FOR SPECIALS