

CONTROL POWER TRANSFORMER

Models CPTD3-60-50
CPTD5-95-50

APPLICATION:

To provide control power in medium voltage switchgear, self-cooled, for indoor use only

FREQUENCY:

60 Hz.

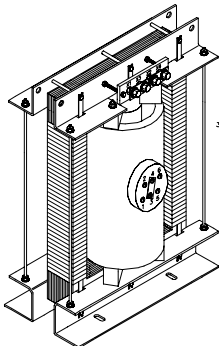
INSULATION LEVEL:

CPTD3-5kV Class, 60kV B.I.L.
Full Wave 150°C
CPTD5-15kV Class, 95kV B.I.L.
Full Wave 150°C

THERMAL RATING:

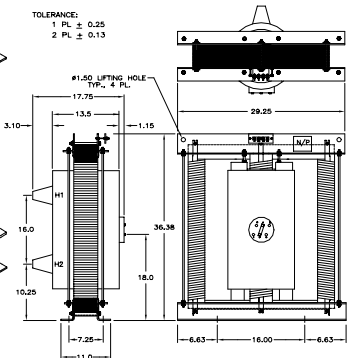
50 kVA at 30°C ambient.
42.9 kVA at 55°C ambient.
80°C rise.

- Construction: The high and low voltage coils are vacuum encapsulated in epoxy resin. Complete unit is varnish dipped.
- Mounting base is steel with (4) 0.56 X 1.50 slots.
- Primary terminals are 3/8-16 inserts.
- Secondary terminals are 1/2-13 brass studs.
- Supplied with taps on primary side:
Cat. suffix A - $\pm 7-1/2\%$ taps or
Cat. suffix B - $(2) \pm 2-1/2\%$ taps.
- Secondary typically 120/240 V operation, consult factory for single voltages.
- Available as unused only.
- For indoor use.
- Approximate weight: 750 lbs.



TOLERANCE:

- 1 PL ± 0.25
- 2 PL ± 0.13



* TAP SUFFIX "A" or "B"

PRIMARY VOLTS	CONNECT
107.5%	1 - 2
100%	2 - 3
92.5%	3 - 4

1 $\pm 7-1/2\%$ PRIMARY TAPS
SUFFIX "A"

PRIMARY VOLTS	CONNECT
105%	1 - 2
102.5%	2 - 3
100%	3 - 4
97.5%	4 - 5
92.5%	5 - 6

2 $\pm 2-1/2\%$ PRIMARY TAPS
SUFFIX "B"

CATALOG NUMBER	PRIMARY VOLTAGE	VOLTAGE RATIO	FUSE RATING
CPTD3-60-50-242*	2400	20:1	40E
CPTD3-60-50-4161*	4160	34.7:1	25E
CPTD3-60-50-482*	4800	40:1	25E
CPTD5-95-50-722*	7200	60:1	25E
CPTD5-95-50-842*	8400	70:1	25E
CPTD5-95-50-123*	12000	100:1	15E
CPTD5-95-50-1242*	12470	103.9:1	15E
CPTD5-95-50-1322*	13200	110:1	10E
CPTD5-95-50-1382*	13800	115:1	10E
CPTD5-95-50-1442*	14400	120:1	10E

STANDARD TYPICAL VOLTAGES - CONSULT FACTORY FOR SPECIALS