

CONTROL POWER TRANSFORMER

Model CPT3-60-37.5

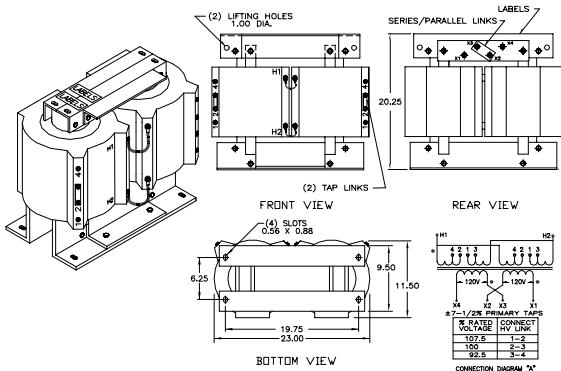
APPLICATION:
To provide control power in
medium voltage switchgear.

FREQUENCY:
60 Hz.

INSULATION LEVEL:
5 kV Class
60 kV BIL full wave.

THERMAL RATING:
37.5 kVA at 30°C ambient.
32.2 kVA at 55°C ambient.

- Primary terminals are brass screws 1/4-20 with one flatwasher and starwasher.
- Secondary terminals are brass studs 1/2-13 with one flatwasher, lockwasher and two regular nuts.
- The transformer High Voltage winding is vacuum encapsulated in epoxy resin.
- Supplied with 1 $\pm 7-1/2\%$ or 2 $\pm 2-1/2\%$ taps above & below nominal voltage on the primary winding.
- Available as unfused only.
- Self cooled.
- Steel mounting base.
- For indoor use.
- Approximate weight 450 lbs.



Refer to Sales for 50 Hz.

**CATALOG NO.	PRIMARY VOLTAGE	RATIO	SECONDARY VOLTAGE	*FUSE RATING
CPT3-60-37.5-242	2400	20:1	120/240	40E
CPT3-60-37.5-4161	4160	34.7:1	120/240	20E
CPT3-60-37.5-482	4800	40:1	120/240	20E

*Note all fuse ratings are based upon NEC transformer overcurrent protection recommendations. Specific applications may require other ratings.

**For 1 $\pm 7-1/2\%$ taps use suffix "A" after Catalog No.

**For 2 $\pm 2-1/2\%$ taps use suffix "B" after Catalog No.