

CONTROL POWER TRANSFORMER

Model CPT3-60-25

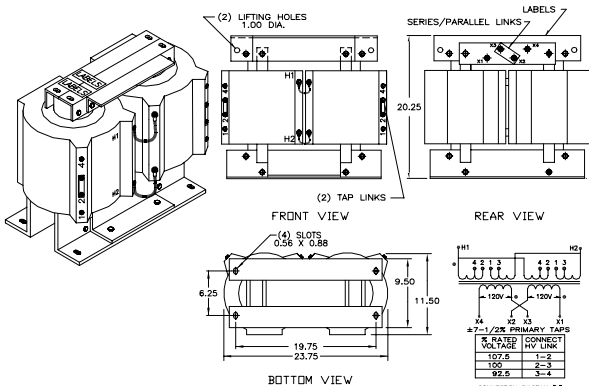
APPLICATION:
To provide control power in medium voltage switchgear.

FREQUENCY:
60 Hz.

INSULATION LEVEL:
5 kV Class
60 kV BIL full wave.

THERMAL RATING:
25 kVA at 30°C, ambient.
21.5 kVA at 55°C, ambient.

- Primary terminals are brass screws 1/4"-20 with one flatwasher and starwasher.
- Secondary terminals are brass studs 1/2"-13 with one flatwasher, lockwasher and two regular nuts.
- The transformer High Voltage winding is vacuum encapsulated in epoxy resin.
- Supplied with $1\pm 1/2\%$ or $2\pm 1/2\%$ taps above & below nominal voltage on the primary winding.
- Available as unfused only.
- Self cooled.
- Steel mounting base.
- For indoor use.
- Approximate weight 411 lbs.



Refer to Sales for 50 Hz.

**CATALOG NO.	PRIMARY VOLTAGE	RATIO	SECONDARY VOLTAGE	*FUSE RATING
CPT3-60-25-242	2400	20:1	120/240	25E
CPT3-60-25-4161	4160	34.7:1	120/240	15E
CPT3-60-25-482	4800	40:1	120/240	15E

*Note all fuse ratings are based upon NEC transformer overcurrent protection recommendations. Specific applications may require other ratings.

**For $1\pm 1/2\%$ taps use suffix "A" after Catalog No.

**For $2\pm 1/2\%$ taps use suffix "B" after Catalog No.