

# CONTROL POWER TRANSFORMER

## Model CPT3-60-0.5

REGULATORY AGENCY APPROVALS



### APPLICATION:

To provide control power in distribution equipment and motor starters. May also be used for indicating and recording voltmeters.

### FREQUENCY:

60 Hz

### ACCURACY

±1% at 100 VA.

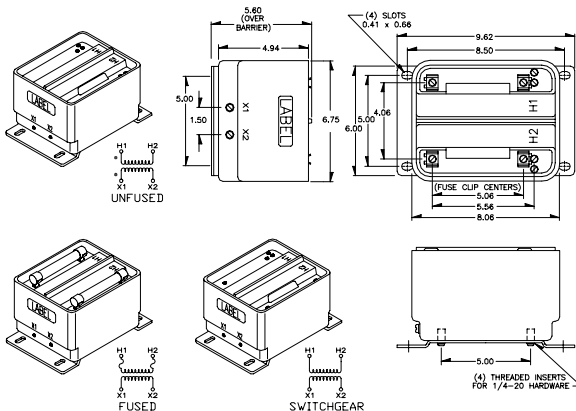
### INSULATION LEVEL:

5 kV, 60 kV BIL full wave.

### THERMAL RATING:

At 30°C. amb., see below.

- An optional clear molded fuse cover is available for added safety when desired. (1743C11804)
- Suggested fuse rating: See below, 50kA RMS Symmetrical. Fuse diameter is 0.81 inches. Higher fuse ratings available at users option.
- Primary and secondary terminals are brass screws No.10-32 with one flatwasher and lockwasher.
- The transformer winding is vacuum encapsulated in a polyurethane resin.
- Plated steel mounting base is removable. CPT can be mounted with base as shown, with base rotated 90 degrees, or without a base.
- For indoor use.
- Approximate weight 22 lbs.



PRIMARY VOLTAGE	RATIO	SECONDARY VOLTAGE	THERMAL RATING	CATALOG NUMBERS				SUGGESTED FUSE RATING CONTINUOUS AMPERE
				UNFUSED (a)	FUSED	FUSE CLIPS ONLY	SWITCHGEAR	
2400	20:1	120	500VA	CPT3-60-0.5-242	CPT3-60-0.5-242F	CPT3-60-0.5-242CC	CPT3-60-0.5-242SS	2.0E
3300	33:1	110-50Hz	450VA	CPT3-60-0.5-333	CPT3-60-0.5-333F	CPT3-60-0.5-333CC	CPT3-60-0.5-333SS	1.0E
4200	35:1	120	500VA	CPT3-60-0.5-422	CPT3-60-0.5-422F	CPT3-60-0.5-422CC	CPT3-60-0.5-422SS	1.0E
4800	40:1	120	450VA	CPT3-60-0.5-482	CPT3-60-0.5-482F	CPT3-60-0.5-482CC	CPT3-60-0.5-482SS	1.0E
6600	60:1	110-50Hz	300VA	CPT3-60-0.5-662	-	-	CPT3-60-0.5-662SS	-
7200	60:1	120	300VA	CPT3-60-0.5-722	-	-	CPT3-60-0.5-722SS	-

(a) FUSES MUST BE MOUNTED SEPARATELY.