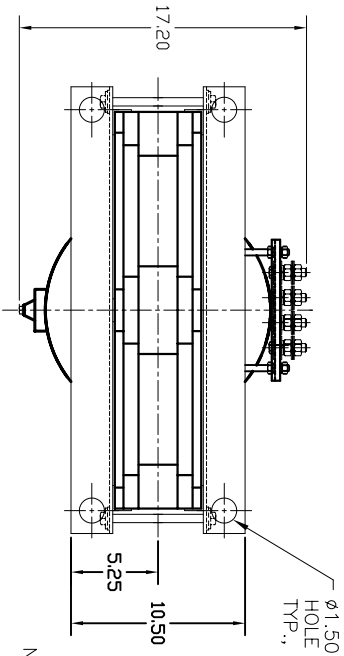


DWG NO. 0163B25466

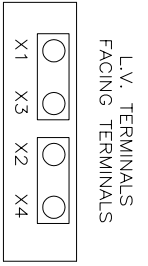
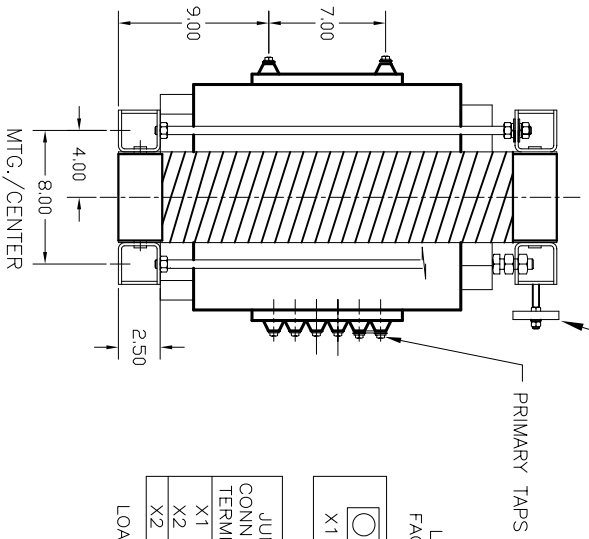
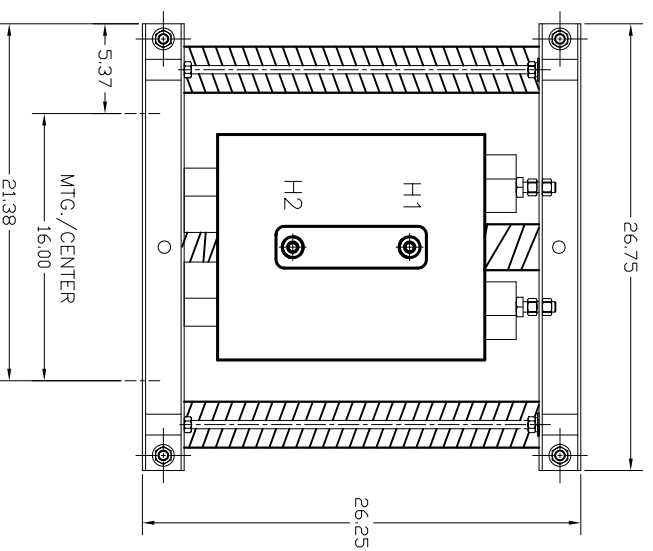


ITEM	CATALOG NUMBER	PRIMARY VOLTAGE	RATIO	FUSE RATING 25 KVA
1	CP1D3-60-25-242 *	2400	20:1	25 E
2	CP1D3-60-25-4161 *	4160	34.7:1	15 E
3	CP1D3-60-25-482 *	4800	40:1	15 E
4	CP1D5-95-25-722 *	7200	60:1	10 E
5	CP1D5-95-25-842 *	8400	70:1	10 E
6	CP1D5-95-25-123 *	12000	100:1	7 E
7	CP1D5-95-25-1242 *	12470	104:1	7 E
8	CP1D5-95-25-1322 *	13200	110:1	7 E
9	CP1D5-95-25-1382 *	13800	115:1	7 E
10	CP1D5-95-25-1442 *	14400	120:1	7 E

ITEM	CATALOG NUMBER	PRIMARY VOLTAGE	RATIO	FUSE RATING 37.5 KVA
11	CP1D3-60-37.5-242 *	2400	20:1	40 E
12	CP1D3-60-37.5-4161 *	4160	34.7:1	20 E
13	CP1D3-60-37.5-482 *	4800	40:1	20 E
14	CP1D5-95-37.5-722 *	7200	60:1	20 E
15	CP1D5-95-37.5-842 *	8400	70:1	20 E
16	CP1D5-95-37.5-123 *	12000	100:1	10 E
17	CP1D5-95-37.5-1242 *	12470	104:1	10 E
18	CP1D5-95-37.5-1322 *	13200	110:1	10 E
19	CP1D5-95-37.5-1382 *	13800	115:1	10 E
20	CP1D5-95-37.5-1442 *	14400	120:1	10 E

** TAP SUFFIX "A" OR "B" RECOMMENDED PRIMARY FUSE RATING

NOTE: LV TERMINAL CONNECTOR NOT SHOWN IN THIS VIEW.



JUMPER CONNECTIONS TERMINALS #	VOLTAGE
X1 - X3	120V
X2 - X4	120V
X2 - X3	240V

LOAD CONNECTIONS X1 - X4

PRIMARY VOLTS	CONNECT
107.5%	1 - 2
100%	2 - 3
92.5%	3 - 4

1 ±7-1/2% PRIMARY TAPS SUFFIX "A"

PRIMARY VOLTS	CONNECT
105%	1 - 2
102.5%	2 - 3
100%	3 - 4
97.5%	4 - 5
95%	5 - 6

2 ±2-1/2% PRIMARY TAPS SUFFIX "B"

NOTE: TRANSFORMER MOUNTING STUDS NOT TO EXCEED 1.0" LENGTH MAX. INTO SUPPORT BRACKET!

FOR OTHER VOLTAGES CONSULT FACTORY

Instrument Transformers, Inc.
P.O. Box 7180, Clearwater, FL, 33758

REVISIONS
REV. C: REDRAWN TO FULL SIZE JSW 6/22/98
REV. D: REVISED TAP 5-6 CONNECTION FROM 92.5% JSW 5/19/99
REV. E: ADDED 5kV/60 kV BIL CATALOG INFORMATION TO TABLE. RWC 7/15/99
REV. F: ADDED 5 kV TO NOTE 1. MEH 08/20/99

MATERIAL	TOLERANCES	DRAWN	DATE
		JSW	6/24/98
		CHECKED	DATE
SCALE 1 : 8	SHEET 1 OF 1	AJJ	6/24/98

TITLE: TRANSFORMER OUTLINE
15kV 1 PHASE - 25 KVA & 37.5 KVA CPT
DWG NO. 0163B25466
ISSUE F