

CONTROL POWER TRANSFORMER

Model CPT3-60-1.2

REGULATORY AGENCY APPROVALS



APPLICATION:

To provide control power in distribution equipment and motor starters.

FREQUENCY:

60 Hz.

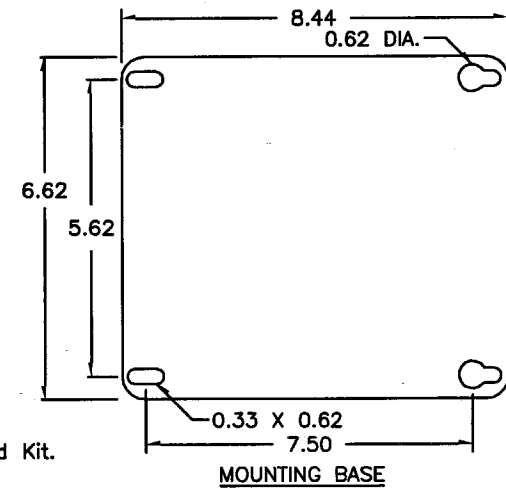
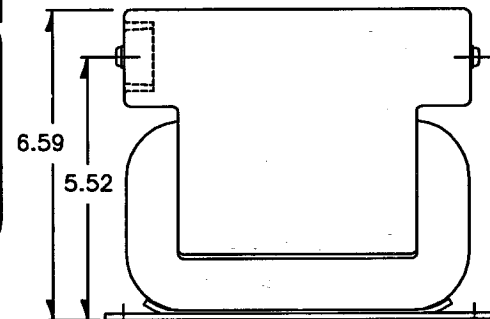
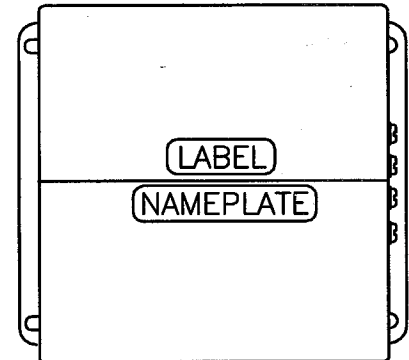
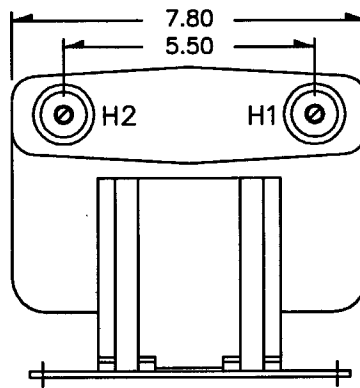
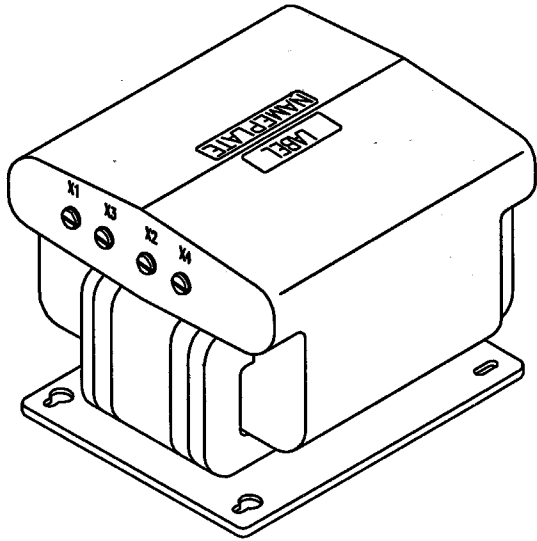
INSULATION LEVEL:

5 kV, 60 kV BIL full wave.

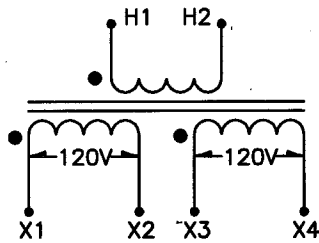
THERMAL RATING:

1.2 kVA at 30°C. amb.

- Primary fuses are not supplied, but are recommended. Use 5kV class 2E fuses.
- Secondary terminals are brass screws 1/4-20 with one flatwasher and lockwasher plus series/parallel links.
- Primary terminals are brass screws No.10-32 with one flatwasher and lockwasher.
- The transformer winding is vacuum encapsulated in polyurethane resin.
- Plated steel mounting base.
- For indoor use.
- Approximate weight 45 lbs.



CONNECTION DIAGRAM



CATALOG NO.	PRIMARY VOLTAGE	RATIO	SECONDARY VOLTAGE
CPT3-60-1.2-242-XXX	2400	20:1	120/240
CPT3-60-1.2-4161-XXX	4160	34.7:1	120/240
CPT3-60-1.2-482-XXX	4800	40:1	120/240

NOTE: Last three digits of catalog number signify lead length (in inches) of HV Lead Kit.

