

CONTROL POWER TRANSFORMER

Model 3CPTD3-60-75

Model 3CPTD5-95-75

(FOR HORIZONTAL MOUNTING)

APPLICATION:
To provide control power in medium voltage switchgear, self-cooled, for indoor use only.

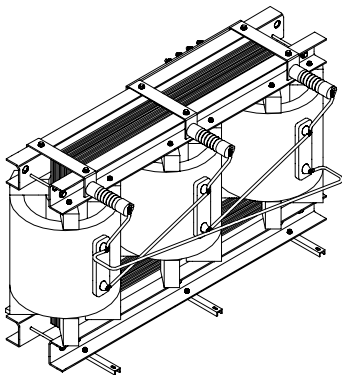
FREQUENCY:
60 Hz.

INSULATION LEVEL:
5 kV & 15 kV Class,
60 kV & 95 kV B.I.L.,
150°C.

THERMAL RATING:
75 kVA at 30°C ambient.
64.3 kVA at 55°C ambient.
80°C rise.

- Partial discharge free at rated voltage in accordance with Canadian standard C9.
- H.V. terminals are ILSCO #8-2 connector.
- L.V. terminals are 1/2-13 UNC 2A brass studs.
- Windings are encapsulated in epoxy resin. Mounting base is steel. Assembly is varnish treated.
- (6) Mounting slots are 0.37 x 0.75, Typ.
- Low voltage available, 208 ∇ /120
480 ∇ /277
600 ∇ /346
240 Δ
480 Δ
600 Δ

- For indoor use.
- Approximate weight 1500 lbs.



| PRIMARY VOLTS | CONNECT |
|---------------|---------|
| 107.5% | 1 - 2 |
| 100% | 2 - 3 |
| 92.5% | 3 - 4 |

1 $\pm 7\text{-}1/2\%$ PRIMARY TAPS - SUFFIX "A"

| PRIMARY VOLTS | CONNECT |
|---------------|---------|
| 105% | 1 - 2 |
| 102.5% | 2 - 3 |
| 100% | 3 - 4 |
| 97.5% | 4 - 5 |
| 92.5% | 5 - 6 |

2 $\pm 2\text{-}1/2\%$ PRIMARY TAPS - SUFFIX "B"

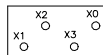
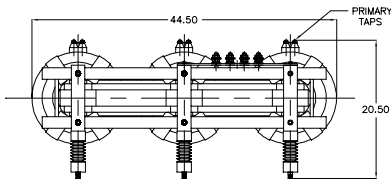
* Tap suffix "A" or "B"

** Note all fuse ratings are based upon NEC transformers overcurrent protection recommendations. Specific applications may require other ratings.

| CATALOG NO. | PRIMARY VOLTAGE | **FUSE RATING |
|--------------------|-----------------|---------------|
| 3CPTD3-60-75-4161* | 4160 | 25E |
| 3CPTD3-60-75-482* | 4800 | 20E |

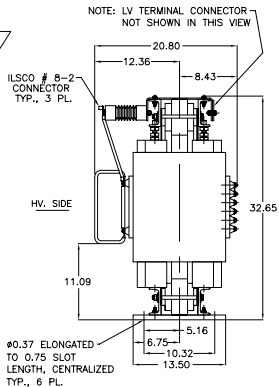
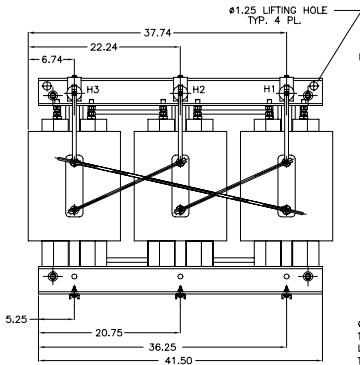
| CATALOG NO. | PRIMARY VOLTAGE | **FUSE RATING |
|--------------------|-----------------|---------------|
| 3CPTD5-95-75-722* | 7200 | 20E |
| 3CPTD5-95-75-842* | 8400 | 20E |
| 3CPTD5-95-75-123* | 12000 | 10E |
| 3CPTD5-95-75-1242* | 12470 | 10E |
| 3CPTD5-95-75-1322* | 13200 | 10E |
| 3CPTD5-95-75-1382* | 13800 | 10E |

Model 3CPTD3-60-75 Model 3CPTD5-95-75



LV. TERMINALS
FACING TERMINALS

NOTE: HIGH VOLTAGE WIRE CONNECTION NOT SHOWN IN THIS VIEW.



FOR HORIZONTAL MOUNTING

