

CONTROL POWER TRANSFORMER

Model 3CPTD3-60-75

Model 3CPTD5-95-75

(FOR HORIZONTAL MOUNTING)

APPLICATION:
To provide control power in medium voltage switchgear, self-cooled, for indoor use only.

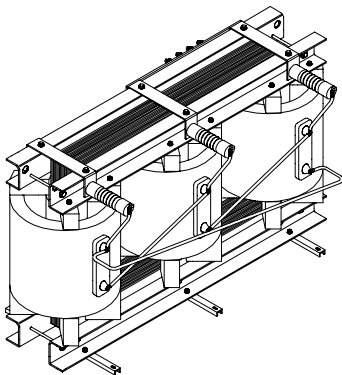
FREQUENCY:
60 Hz.

INSULATION LEVEL:
5 kV & 15 kV Class,
60 kV & 95 kV B.I.L.,
150°C.

THERMAL RATING:
75 kVA at 30°C ambient.
64.3 kVA at 55°C ambient.
80°C rise.

- Partial discharge free at rated voltage in accordance with Canadian standard C9.
- H.V. terminals are ILSCO #8-2 connector.
- L.V. terminals are 1/2-13 UNC 2A brass studs.
- Windings are encapsulated in epoxy resin. Mounting base is steel. Assembly is varnish treated.
- (6) Mounting slots are 0.37 x 0.75, Typ.
- Low voltage available, 208 ∇ /120
480 ∇ /277
600 ∇ /346
240 Δ
480 Δ
600 Δ

- For indoor use.
- Approximate weight 1500 lbs.



PRIMARY VOLTS	CONNECT
107.5%	1 - 2
100%	2 - 3
92.5%	3 - 4

1 $\pm 7\text{-}1/2\%$ PRIMARY TAPS - SUFFIX "A"

PRIMARY VOLTS	CONNECT
105%	1 - 2
102.5%	2 - 3
100%	3 - 4
97.5%	4 - 5
92.5%	5 - 6

2 $\pm 2\text{-}1/2\%$ PRIMARY TAPS - SUFFIX "B"

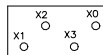
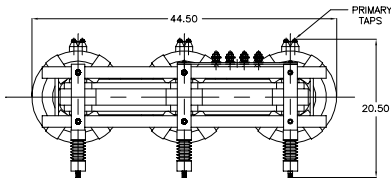
* Tap suffix "A" or "B"

** Note all fuse ratings are based upon NEC transformers overcurrent protection recommendations. Specific applications may require other ratings.

CATALOG NO.	PRIMARY VOLTAGE	**FUSE RATING
3CPTD3-60-75-4161*	4160	25E
3CPTD3-60-75-482*	4800	20E

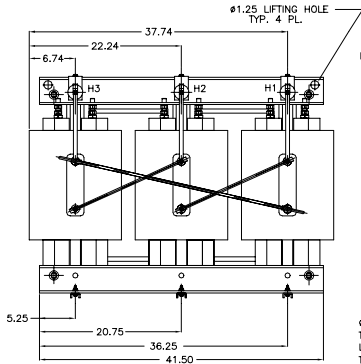
CATALOG NO.	PRIMARY VOLTAGE	**FUSE RATING
3CPTD5-95-75-722*	7200	20E
3CPTD5-95-75-842*	8400	20E
3CPTD5-95-75-123*	12000	10E
3CPTD5-95-75-1242*	12470	10E
3CPTD5-95-75-1322*	13200	10E
3CPTD5-95-75-1382*	13800	10E

Model 3CPTD3-60-75 Model 3CPTD5-95-75

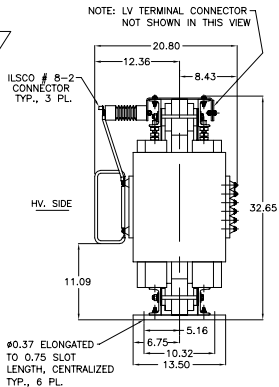


LV. TERMINALS
FACING TERMINALS

NOTE: HIGH VOLTAGE WIRE CONNECTION NOT SHOWN IN THIS VIEW.



NOTE: LV TERMINAL CONNECTOR
NOT SHOWN IN THIS VIEW



FOR HORIZONTAL MOUNTING

