

# CONTROL POWER TRANSFORMER

Model 3CPT3-60-30  
 Model 3CPT5-95-30  
 Model 3CPT3-60-45  
 Model 3CPT5-95-45

**APPLICATION:**  
 To provide control power in medium voltage switchgear, self-cooled, for indoor use only.

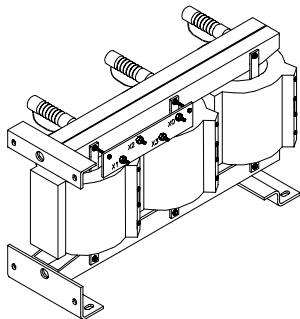
**FREQUENCY:**  
 60 Hz.

**INSULATION LEVEL:**  
 3CPT3: 5 kV, 60 kV BIL full wave. 130°C  
 3CPT5: 15 kV, 95 kV BIL full wave. 130°C

**THERMAL RATING:**  
 30 kVA at 30°C ambient.  
 25.7 kVA at 55°C ambient.  
 80°C rise.

45 kVA at 30°C ambient.  
 38.6 kVA at 55°C ambient.  
 80°C rise.

- Primary terminals are copper compression type lugs.
- Secondary terminals are brass studs 1/2-13 with one flatwasher, starwasher and two regular nuts.
- The high voltage coils are vacuum encapsulated in epoxy resin. Complete unit is varnish dipped.
- Supplied with taps on primary side:  
 Cat. suffix A -(1) ± 7-1/2% taps or  
 Cat. suffix B -(2) ± 2-1/2% taps.
- Secondary typically 120/240 V operation.
- Available as unfused only.
- Vertical or horizontal mounting.
- Mounting base and frame is 7 ga. (0.188" thk) steel, with (8) 0.56 X 0.875 slots.
- For indoor use.
- Approximate weight 730 lbs.



PRIMARY VOLTS	CONNECT
107.5%	1 - 2
100%	2 - 3
92.5%	3 - 4

1 ±7-1/2% PRIMARY TAPS - SUFFIX "A"

PRIMARY VOLTS	CONNECT
105%	1 - 2
102.5%	2 - 3
100%	3 - 4
97.5%	4 - 5
92.5%	5 - 6

2 ±2-1/2% PRIMARY TAPS - SUFFIX "B"

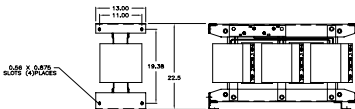
CATALOG NO.	PRIMARY VOLTAGE	SECONDARY VOLTAGE	*FUSE RATING
3CPT3-60-30-242	2400	208Y/120	20E
3CPT3-60-30-4161	4160	208Y/120	15E
3CPT3-60-30-482	4800	208Y/120	10E
3CPT5-95-30-722	7200	208Y/120	10E
3CPT5-95-30-842	8400	208Y/120	10E
3CPT5-95-30-123	12000	208Y/120	5E
3CPT5-95-30-1242	12470	208Y/120	5E
3CPT5-95-30-1322	13200	208Y/120	5E
3CPT5-95-30-1382	13800	208Y/120	5E

CATALOG NO.	PRIMARY VOLTAGE	SECONDARY VOLTAGE	*FUSE RATING
3CPT3-60-45-242	2400	208Y/120	25E
3CPT3-60-45-4161	4160	208Y/120	15E
3CPT3-60-45-482	4800	208Y/120	15E
3CPT5-95-45-722	7200	208Y/120	15E
3CPT5-95-45-842	8400	208Y/120	15E
3CPT5-95-45-123	12000	208Y/120	7E
3CPT5-95-45-1242	12470	208Y/120	7E
3CPT5-95-45-1322	13200	208Y/120	7E
3CPT5-95-45-1382	13800	208Y/120	7E

\*Note all fuse ratings are based upon NEC transformer overcurrent protection recommendations. Specific applications may require other ratings.

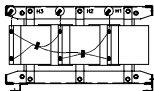
Model 3CPT3-60-30  
 Model 3CPT5-95-30

Model 3CPT3-60-45  
 Model 3CPT5-95-45

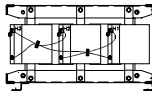


LEFT END VIEW,  
 (BOTTOM IN  
 VERTICAL MODE)

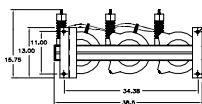
LOW VOLTAGE SIDE



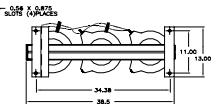
HIGH VOLTAGE SIDE



HIGH VOLTAGE SIDE



BOTTOM VIEW  
 (95kV BIL)



BOTTOM VIEW  
 (60kV BIL)

FOR HORIZONTAL OR VERTICAL MOUNTING

