

CONTROL POWER TRANSFORMER

Model 3CPT3-60-15
Model 3CPT5-95-15

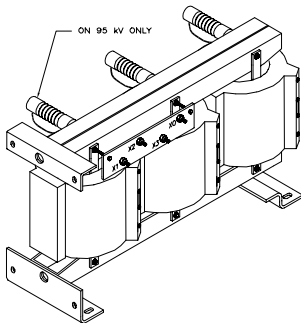
APPLICATION:
To provide control power in medium voltage switchgear, self-cooled, for indoor use only.

FREQUENCY:
60 Hz.

INSULATION LEVEL:
3CPT3: 5 kV
60 kV BIL full wave. 130°C
3CPT5: 15 kV
95 kV BIL full wave. 130°C

THERMAL RATING:
15 kVA at 30°C ambient.
13 kVA at 55°C ambient.
80°C rise.

- Primary terminals are copper compression type lugs.
- Secondary terminals are brass studs 1/2-13 with one flatwasher, starwasher and two regular nuts.
- The high voltage coils are vacuum encapsulated in epoxy resin. Complete unit is varnish dipped.
- Supplied with taps on primary side:
Cat. suffix A -(1) $\pm 7-1/2\%$ taps or
Cat. suffix B -(2) $\pm 2-1/2\%$ taps.
- Secondary typically 120/240 V operation.
- Available as unfused only.
- Vertical or horizontal mounting.
- Mounting base and frame is 7 ga. (0.188" thk) steel, with (8) 0.56 X 0.875 slots.
- For indoor use.
- Approximate weight 650 lbs.



PRIMARY VOLTS	CONNECT
107.5%	1 - 2
100%	2 - 3
92.5%	3 - 4

1 $\pm 7-1/2\%$ PRIMARY TAPS - SUFFIX "A"

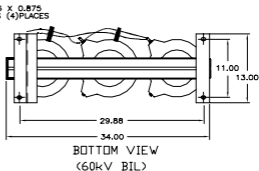
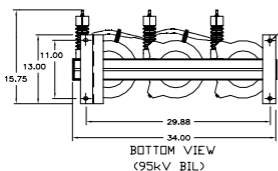
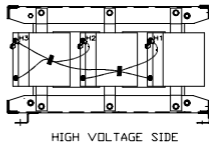
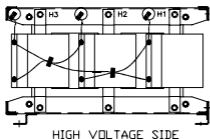
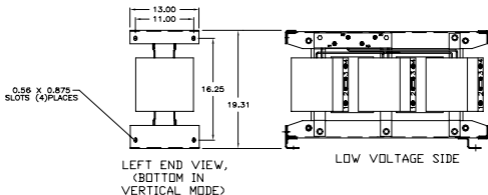
PRIMARY VOLTS	CONNECT
105%	1 - 2
102.5%	2 - 3
100%	3 - 4
97.5%	4 - 5
92.5%	5 - 6

2 $\pm 2-1/2\%$ PRIMARY TAPS - SUFFIX "B"

CATALOG NO.	PRIMARY VOLTAGE	SECONDARY VOLTAGE	*FUSE RATING
3CPT3-60-15-242	2400	208Y/120	10E
3CPT3-60-15-4161	4160	208Y/120	7E
3CPT3-60-15-482	4800	208Y/120	5E
3CPT5-95-15-722	7200	208Y/120	5E
3CPT5-95-15-842	8400	208Y/120	5E
3CPT5-95-15-123	12000	208Y/120	3E
3CPT5-95-15-1242	12470	208Y/120	3E
3CPT5-95-15-1322	13200	208Y/120	3E
3CPT5-95-15-1382	13800	208Y/120	3E

*Note all fuse ratings are based upon NEC transformer overcurrent protection recommendations. Specific applications may require other ratings.

Model 3CPT3-60-15
 Model 3CPT5-95-15



FOR HORIZONTAL OR VERTICAL MOUNTING

