

CONTROL POWER TRANSFORMER

Model 3CPTD3-60-30

Model 3CPTD5-95-30

Model 3CPTD3-60-45

Model 3CPTD5-95-45

APPLICATION:

To provide control power in medium voltage switchgear, self-cooled, for indoor use only.

FREQUENCY:

60 Hz.

INSULATION LEVEL:

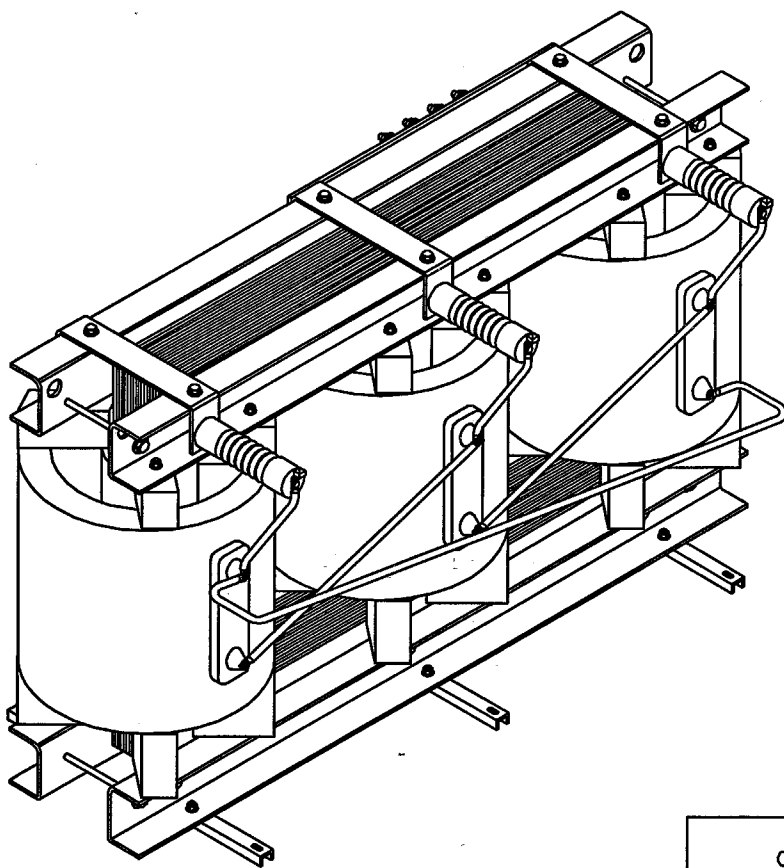
5 kV & 15 kV Class,
60 kV & 95 kV B.I.L.,
150°C.

THERMAL RATING:

30 kVA at 30°C ambient.
25.7 kVA at 55°C ambient.
80°C rise.

45 kVA at 30°C ambient.
38.6 kVA at 55°C ambient.
80°C rise.

- Partial discharge free at rated voltage in accordance with Canadian standard C9.
- H.V. terminals are copper compression type lugs.
- L.V. terminals are 1/2-13 UNC 2A brass studs.
- Windings are encapsulated in epoxy resin. Mounting base is steel. Assembly is varnish treated.
- (6) Mounting slots are 0.37 x 0.75, Typ.
- Low voltage available, 208 Y/120
480 Y/277
600 Y/346
240 Δ
480 Δ
600 Δ
- For indoor use.
- Approximate weight 800 lbs.



PRIMARY VOLTS	CONNECT
107.5%	1 - 2
100%	2 - 3
92.5%	3 - 4

1 ± 7-1/2% PRIMARY TAPS - SUFFIX "A"

PRIMARY VOLTS	CONNECT
105%	1 - 2
102.5%	2 - 3
100%	3 - 4
97.5%	4 - 5
92.5%	5 - 6

2 ± 2-1/2% PRIMARY TAPS - SUFFIX "B"

* Tap suffix "A" or "B"

* Note all fuse ratings are based upon NEC transformer overcurrent protection recommendations. Specific applications may require other ratings.

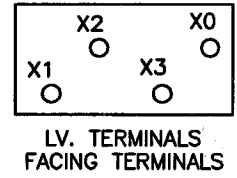
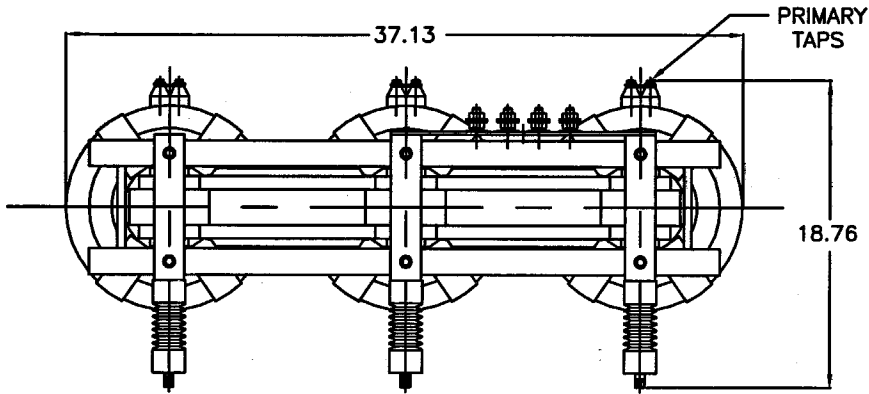
CATALOG NO.	PRIMARY VOLTAGE	**FUSE RATING
3CPTD3-60-30-242*	2400	20E
3CPTD3-60-30-4161*	4160	15E
3CPTD3-60-30-482*	4800	10E
3CPTD3-60-45-242*	2400	25E
3CPTD3-60-45-4161*	4160	15E
3CPTD3-60-45-482*	4800	15E

CATALOG NO.	PRIMARY VOLTAGE	**FUSE RATING
3CPTD5-95-30-722*	7200	10E
3CPTD5-95-30-842*	8400	10E
3CPTD5-95-30-123*	12000	5E
3CPTD5-95-30-1242*	12470	5E
3CPTD5-95-30-1322*	13200	5E
3CPTD5-95-30-1382*	13800	5E
3CPTD5-95-45-722*	7200	15E
3CPTD5-95-45-842*	8400	15E
3CPTD5-95-45-123*	12000	7E
3CPTD5-95-45-1242*	12470	7E
3CPTD5-95-45-1322*	13200	7E
3CPTD5-95-45-1382*	13800	7E

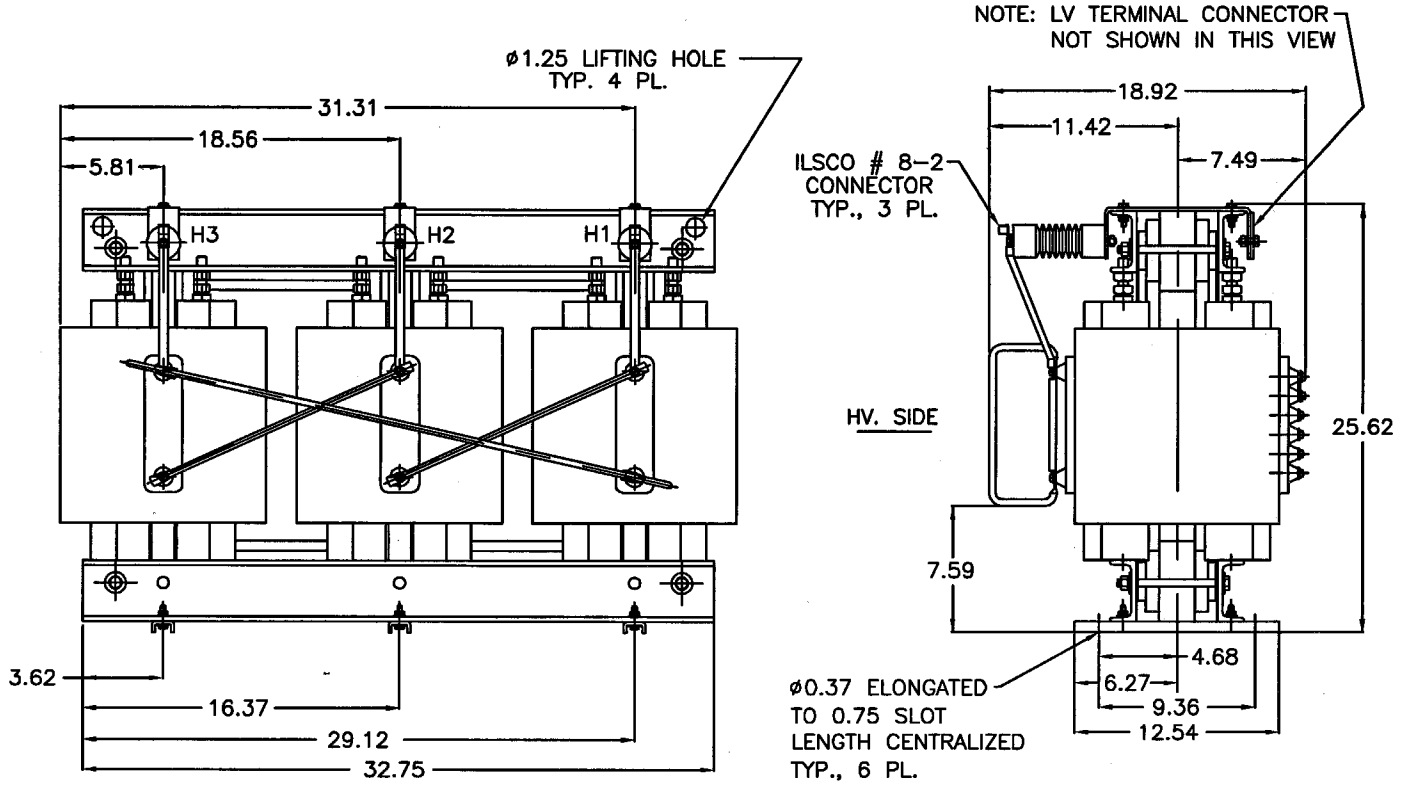
STANDARD TYPICAL VOLTAGES - CONSULT FACTORY FOR SPECIALS

Model 3CPTD3-60-30
Model 3CPTD5-95-30

Model 3CPTD3-60-45
Model 3CPTD5-95-45



NOTE: HIGH VOLTAGE WIRE CONNECTION NOT SHOWN IN THIS VIEW.



FOR HORIZONTAL MOUNTING

