

# CONTROL POWER TRANSFORMER

Models CPTD7-150-25  
CPTD7-150-37.5  
CPTD7-150-50

## APPLICATION:

To provide control power in medium voltage switchgear, self-cooled, for indoor use only.

## FREQUENCY:

60 Hz.

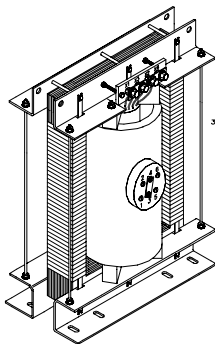
## INSULATION LEVEL:

34.5 kV, 150 kV BIL full wave. Transformer is partial discharge free at rated voltage, 150°C

## THERMAL RATING:

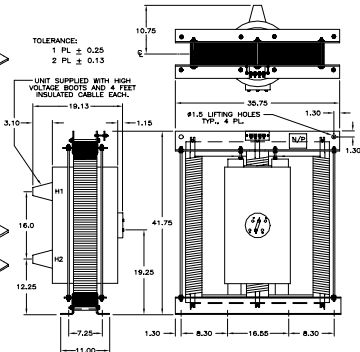
25 kVA at 30°C ambient.  
21.5 kVA at 55°C ambient.  
37.5 kVA at 30°C ambient.  
32.2 kVA at 55°C ambient.  
50 kVA at 30°C ambient.  
42.9 kVA at 55°C ambient.  
80°C rise.

- Primary terminals are 3/8-16 inserts.
- Secondary terminals are 1/2-13 brass studs.
- The high and low voltage coils are vacuum encapsulated in epoxy resin. Complete unit is varnish dipped.
- Supplied with taps on primary side: Cat. suffix A -  $\pm 7-1/2\%$  taps or Cat. suffix B -  $(2) \pm 2-1/2\%$  taps.
- Secondary typically 120/240 V operation, consult factory for single voltages.
- Available as unfused only.
- Steel mounting base with (8) 0.56 X 1.50 slots.
- For indoor use.
- Approximate weight 750 lbs.



TOLERANCE:  
1 PL  $\pm 0.25$   
2 PL  $\pm 0.15$

UNIT SUPPLIED WITH HIGH VOLTAGE BOOTS AND 4 FEET INSULATED CABLE EACH.



PRIMARY VOLTS	CONNECT
107.5%	1 - 2
100%	2 - 3
92.5%	3 - 4

1  $\pm 7-1/2\%$  PRIMARY TAPS  
SUFFIX "A"

PRIMARY VOLTS	CONNECT
105%	1 - 2
102.5%	2 - 3
100%	3 - 4
97.5%	4 - 5
92.5%	5 - 6

2  $\pm 2-1/2\%$  PRIMARY TAPS  
SUFFIX "B"

\* TAP SUFFIX "A" or "B"

CATALOG NUMBER		PRIMARY VOLTAGE	VOLTAGE RATIO
25 kVA	37.5 kVA	50 kVA	
CPTD7-150-25-123*	CPTD7-150-37.5-123*	CPTD7-150-50-123*	12000 100:
CPTD7-150-25-1242*	CPTD7-150-37.5-1242*	CPTD7-150-50-1242*	12400 110:
CPTD7-150-25-1382*	CPTD7-150-37.5-1382*	CPTD7-150-50-1382*	13800 115:
CPTD7-150-25-1442*	CPTD7-150-37.5-1442*	CPTD7-150-50-1442*	14400 120:
CPTD7-150-25-2762*	CPTD7-150-37.5-2762*	CPTD7-150-50-2762*	27600 230:
CPTD7-150-25-2882*	CPTD7-150-37.5-2882*	CPTD7-150-50-2882*	28800 240:
CPTD7-150-25-3452*	CPTD7-150-37.5-3452*	CPTD7-150-50-3452*	34500 287.5:

STANDARD TYPICAL VOLTAGES - CONSULT FACTORY FOR SPECIALS