

CONTROL POWER TRANSFORMER

Model CPTN5-95-37.5

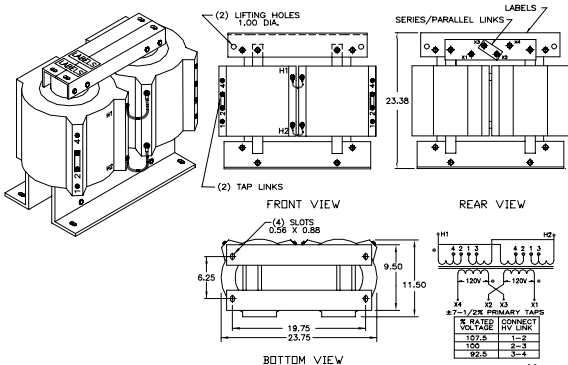
APPLICATION:
To provide control power in medium voltage switchgear.

FREQUENCY:
60 Hz.

INSULATION LEVEL:
15 kV Class
95 kV BIL full wave.

THERMAL RATING:
37.5 kVA at 30°C ambient.
32.2 kVA at 55°C ambient.

- Primary terminals are brass screws 1/4"-20 with one flatwasher and starwasher.
- Secondary terminals are brass studs 1/2"-13 with one flatwasher, lockwasher and two regular nuts.
- The transformer High Voltage winding is vacuum encapsulated in epoxy resin.
- Supplied with 1±7-1/2% or 2 ±2-1/2% taps above & below nominal voltage on the primary winding.
- Available as unfused only.
- Self cooled.
- Steel mounting base.
- For indoor use.
- Approximate weight 450 lbs.



Refer to Sales for 50 Hz.

**CATALOG NO.	PRIMARY VOLTAGE	RATIO	SECONDARY VOLTAGE	*FUSE RATING
CPTN5-95-37.5-722	7200	60:1	120/240	20E
CPTN5-95-37.5-842	8400	70:1	120/240	20E
CPTN5-95-37.5-123	12000	100:1	120/240	10E
CPTN5-95-37.5-1242	12470	104:1	120/240	10E
CPTN5-95-37.5-1322	13200	110:1	120/240	10E
CPTN5-95-37.5-1382	13800	115:1	120/240	10E
CPTN5-95-37.5-1442	14400	120:1	120/240	10E

*Note all fuse ratings are based upon NEC transformer overcurrent protection recommendations. Specific applications may require other ratings.

**For 1±7-1/2% taps use suffix "A" after Catalog No.

**For 2 ±2-1/2% taps use suffix "B" after Catalog No.