

CONTROL POWER TRANSFORMER

Model CPTD5-95-125

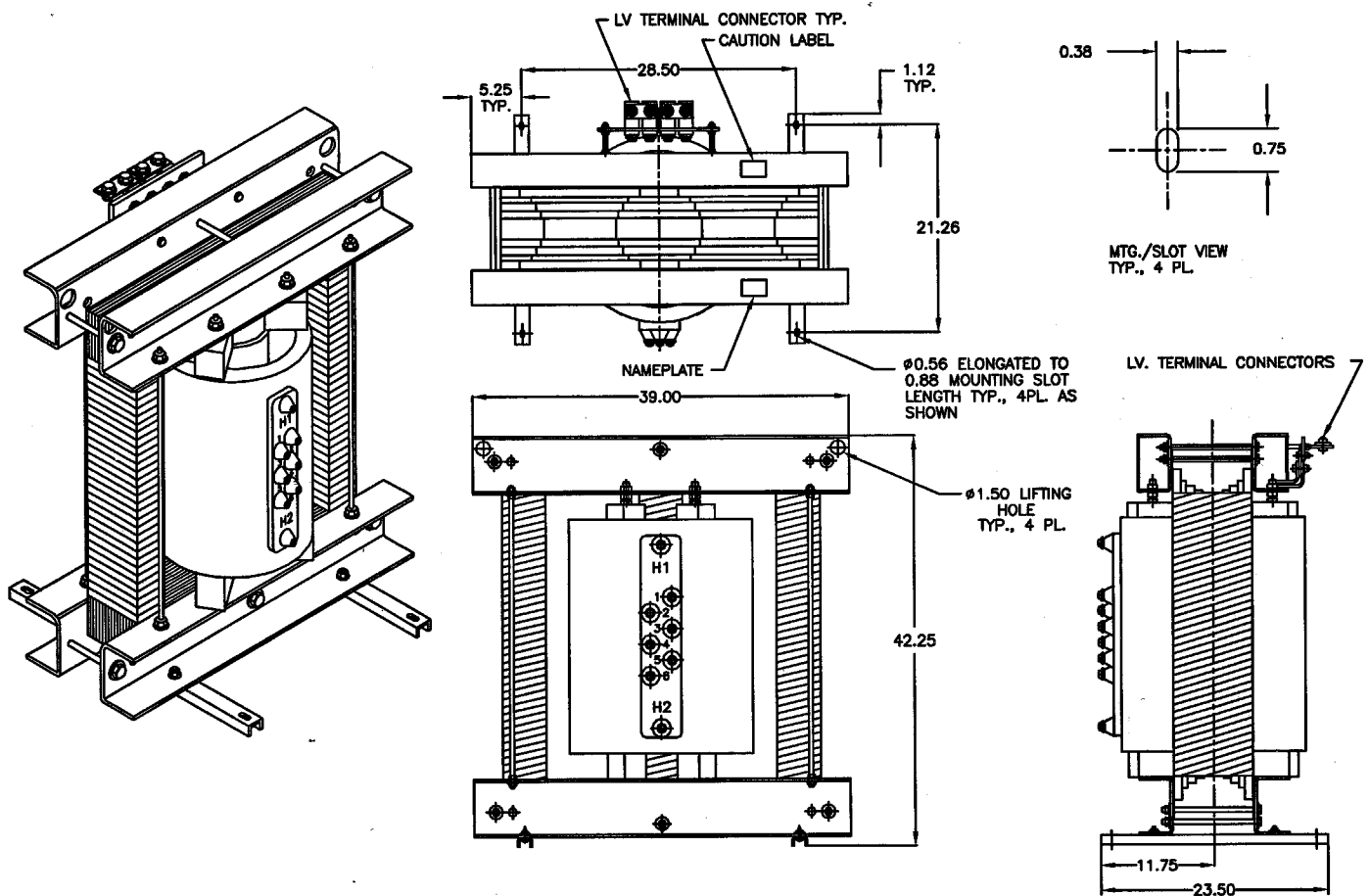
APPLICATION:
To provide control power in medium voltage switchgear, self-cooled, for indoor use only

FREQUENCY:
50 Hz.

INSULATION LEVEL:
15 kV Class 95 kV B.I.L.
150°C.

THERMAL RATING:
125 kVA at 30°C ambient.
107 kVA at 55°C ambient.
80°C rise.

- Partial discharge free at rated voltage in accordance with Canadian standard C9.
- H.V. Terminals are 3/8-16 UNC 2B brass insert.
- L.V. Terminals are 0.25 thk. x 1.50 wide CU pads with a 0.56 dia. mounting hole.
- Windings are encapsulated in epoxy resin. Mounting base is steel. Assembly is varnish treated.
- (4) Mounting slots are 0.56 x 0.88, Typ.
- Low voltage 120/240.
- For indoor use.
- Approximate weight: 2250 lbs., 1020 kg.



PRIMARY VOLTS	CONNECT
107.5%	1 - 2
100%	2 - 3
92.5%	3 - 4

1 ±7-1/2% PRIMARY TAPS
SUFFIX "A"

PRIMARY VOLTS	CONNECT
105%	1 - 2
102.5%	2 - 3
100%	3 - 4
97.5%	4 - 5
92.5%	5 - 6

2 ±2-1/2% PRIMARY TAPS
SUFFIX "B"