

CURRENT TRANSFORMER

Model 786

Window Diameter 6.50"

APPLICATION:
Relaying and metering.

FREQUENCY:
50-400 Hz.

INSULATION LEVEL:
0.6 kV, BIL 10 kV full wave.

REGULATORY AGENCY APPROVALS



E93779

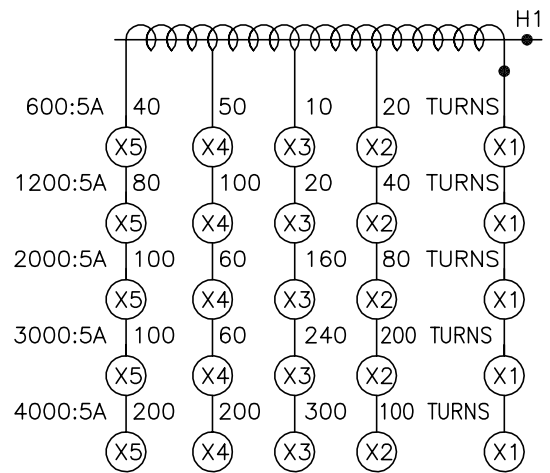
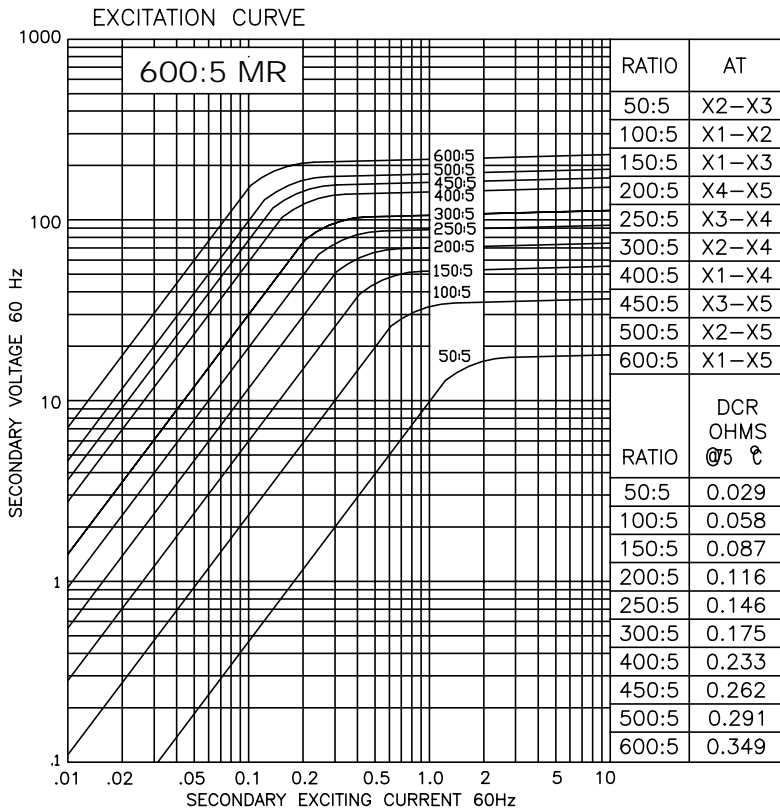
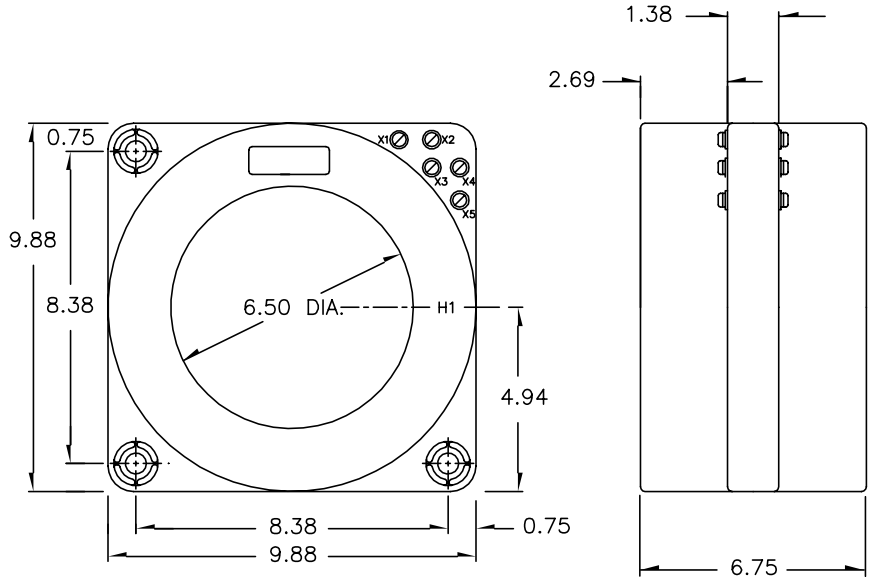
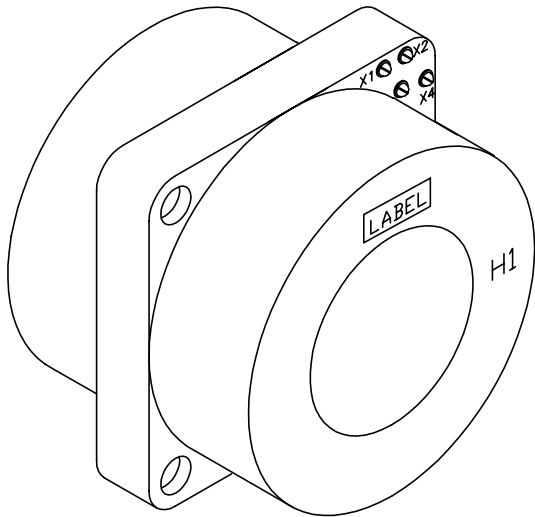


LR89403

Manufactured to meet the requirements of ANSI/IEEE C57.13.
Classified by U.L. in accordance with IEC 44-1.

METERING ACCURACY AND CONTINUOUS THERMAL CURRENT RATING FACTOR:
See curves.

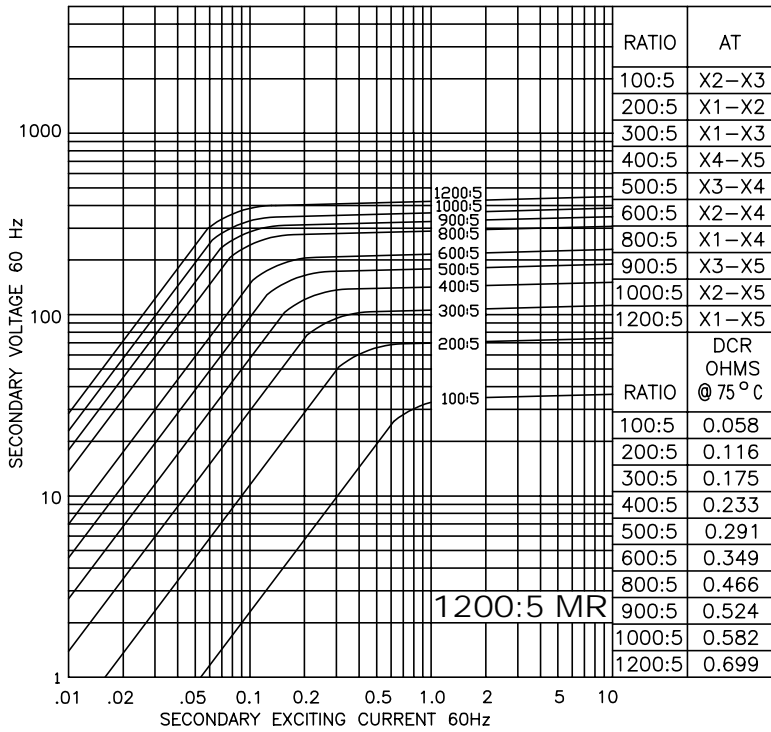
- Secondary terminals are brass screws No. 10-32 with one flatwasher and lockwasher, accessible from either side.
- Approximate weight 58 lbs.



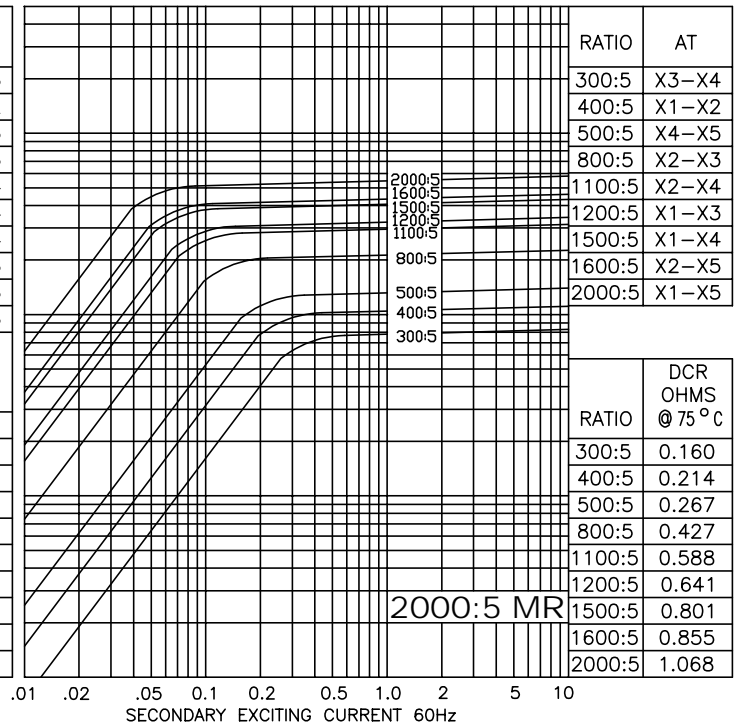
CONNECTION DIAGRAM

MODEL 786 - 601MR
METERING ACCURACY: 0.3B0.9 - RATING C200
TRF= 2.0 @ 30°C, 1.5 @ 55°C

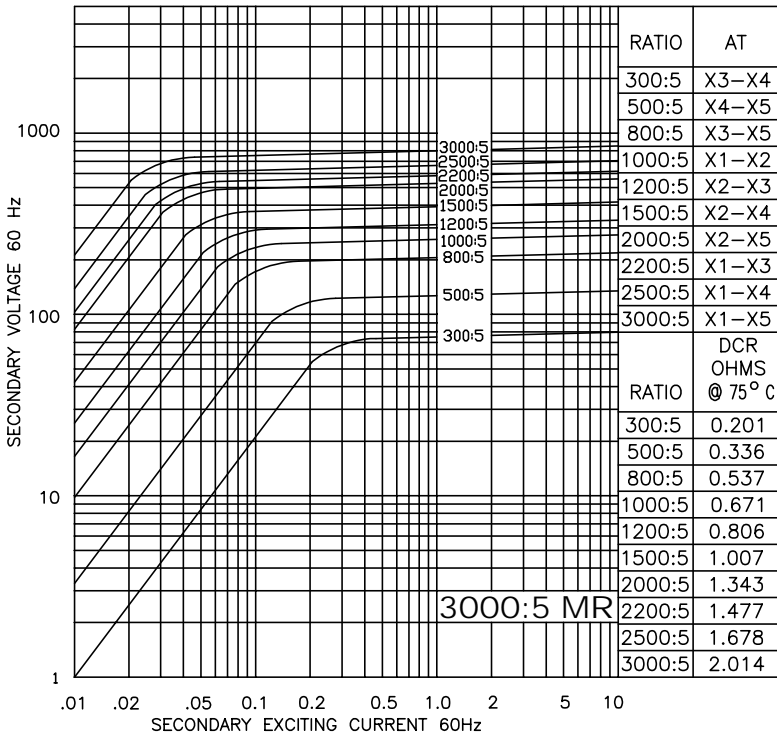
TYPICAL EXCITATION CURVES - MODEL 786



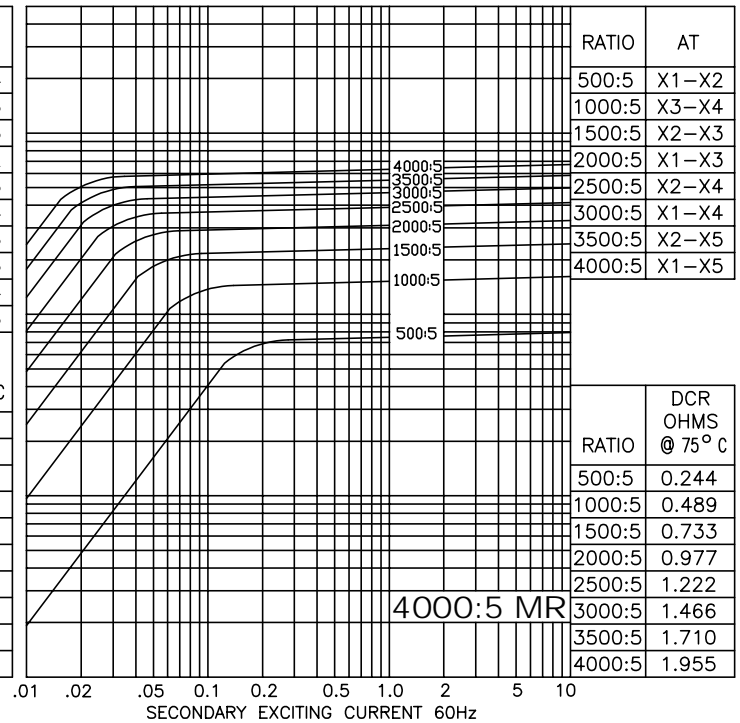
MODEL 786 - 122MR
 METERING ACCURACY: 0.3B1.8 - RATING C400
 TRF= 2.0 @ 30°C, 1.5 @ 55°C



MODEL 786 - 202MR
 METERING ACCURACY: 0.3B1.8 - RATING C400
 TRF= 2.0 @ 30°C, 1.5 @ 55°C



MODEL 786 - 302MR
 METERING ACCURACY: 0.3B1.8 - RATING C400
 TRF= 1.33 @ 30°C, 1.0 @ 55°C



MODEL 786 - 402MR
 METERING ACCURACY: 0.3B1.8 - RATING C400
 TRF= 1.33 @ 30°C, 1.0 @ 55°C